

Series Spec Sheet

FLB

LED FLOOD LIGHT GEN 4

Quick and Easy Mounting accessories (Sold separately)

Selectable color temperature (3 000/4 000/5 000 K)¹

Power Selectable¹

This versatile family of highly efficient and powerful LED flood lights features a wide range of lumen packages, external selectable power switches on certain configurations and multiple color temperature options as well as various mounting options. Finished in bronze, with its modern design, each luminaire is compatible with various universal mountings which allow for wall, ground and pole mount. Typical applications include general lighting of grounds, storage yards, car dealerships, parking areas as well as flood lighting of signs and building facades.

FEATURES AND SPECIFICATIONS

• Construction

Physical Characteristics

- This luminaire is made of aluminum die-cast housing
- Standard powder coat finish color is textured bronze
- Aluminum heat sink for a better heat dissipation
- 3.5" cable standard in all configurations

Mounting

Universal mounting system allowing the following mountings to be easily installed:

- Yoke
- Trunnion
- Slipfitter
- Square or round pole arm (4", 5" & 6")
- Slipfitter with wall mount adapter

Lens

- Outfitted with a clear polycarbonate lens that is UV resistant
- Offered in a NEMA 7Hx6V or 7Hx7V depending of the power of the configuration

• Performance data

- Drivers 120-277 V and 347-480 V
- 0-10 V dimming standard
- 10 kV surge protection standard
- Color temperatures: 3 000/4 000/5 000 K, 4 000 K and 5 000 K
- Estimated lifespan of 60 000 hours to L70
- Ambient temperature: -40 to 40 °C

• Compliances

- IP65
- Wet location
- IK08
- Meets requirements of ICES-005 issue 5 for class B products
- cULus

OVERVIEW

Light source	LED
Watts (W)	100, 150, 230, 300, 400 50/80/100/150 150/200/240/300
Lumen output (lm)	6 800 - 58 148
Efficacy (lm/W)	125 - 149
Color temperature (K)	3 000/4 000/5 000 4 000, 5 000
CRI	70

¹Selectable color temperature and power selectable are available on some configurations. Consult the Quick ship and technical specification table for more details.

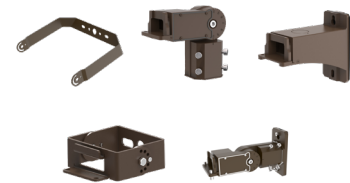
²See below for ordering codes.



FLOOD LUMINAIRES
Single Power and Single CCT



FLOOD LUMINAIRES
Power and CCT Selectable



FLOOD/AREA LIGHT MOUNTING ACCESSORIES
(sold separately²)



Not all products are qualified on the DLC QPL. To view our DLC qualified products, please consult the DLC Qualified Products List at www.designlights.org/search.

QUICK SHIP AND TECHNICAL SPECIFICATION TABLE

SINGLE POWER AND SINGLE CCT

Order code	Model number	DLC unique ID	Watts	Volts	Lumen output	Efficacy	CRI	Life L70	Distrib. type	BUG	EPA	LED current	Finish	Dimming (Yes/No)	Power factor	THD (%)	Traditional equivalent (W)		Master case qty	
			(W)	(V AC)	(lm) ³	(lm/W)	(hrs) ⁴	(ft ²)	(mA)	MH	HPS									
4 000 K¹																				
68547	FLBS-L1AM-W-4K-BR	PRKVE9SA	100	120-277	13 127	131	70	>60000	7Hx6V	B3-U0-G2	0.53	0.87-0.38	Bronze	Yes	0.997	5.34	250-400	250-400	1	
68548	FLBS-L1AM-I-4K-BR	PQC88TK6	102	347-480	13 753	135	70	>60000	7Hx6V	B3-U0-G2	0.53	0.5	Bronze	Yes	0.907	12.82	250-400	250-400	1	
68549	FLBS-L2AM-W-4K-BR	P30SB6WJ	151	120-277	21 316	141	70	>60000	7Hx6V	B4-U0-G3	0.53	1.412-0.601	Bronze	Yes	0.995	5.14	400-1000	400-1000	1	
68550	FLBS-L2AM-I-4K-BR	P5B41N8Y	151	347-480	20 649	137	70	>60000	7Hx6V	B4-U0-G3	0.53	0.8	Bronze	Yes	0.934	10.49	400-1000	400-1000	1	
68551	FLBM-L3AM-W-4K-BR	PJD88Y8Z	234	120-277	33 728	144	70	>60000	7Hx7V	B5-U0-G3	0.58	2.191-0.947	Bronze	Yes	0.997	6.01	400-1000	400-1000	1	
68552	FLBM-L3AM-I-4K-BR	P06CFJ97	230	347-480	31 954	139	70	>60000	7Hx7V	B5-U0-G3	0.58	1.8	Bronze	Yes	0.922	12.53	400-1000	400-1000	1	
68553	FLBL-L4AM-W-4K-BR	PUMW99US	300	120-277	41 709	139	70	>60000	7Hx6V	B5-U0-G3	0.63	2.703-1.168	Bronze	Yes	0.998	5.87	400-1000	1000	1	
68554	FLBL-L4AM-I-4K-BR	PXYUCEI5	283	347-480	40 569	144	70	>60000	7Hx6V	B5-U0-G3	0.63	1.5	Bronze	Yes	0.905	16.26	400-1000	1000	1	
68555	FLBX-L5AM-W-4K-BR	PZCWX4E4	396	120-277	58 000	145	70	>60000	7Hx7V	B5-U0-G4	0.71	3.618-1.613	Bronze	Yes	0.998	2.91	1000	1000	1	
68556	FLBX-L5AM-I-4K-BR	PDZC6KLG	400	347-480	57 654	144	70	>60000	7Hx7V	B5-U0-G4	0.71	2.09	Bronze	Yes	0.955	7.56	1000	1000	1	
5 000 K¹																				
68557	FLBS-L1AM-W-5K-BR	PCL27879	100	120-277	13 255	133	70	>60000	7Hx6V	B3-U0-G2	0.53	0.87-0.38	Bronze	Yes	0.997	5.34	250-400	250-400	1	
68558	FLBS-L1AM-I-5K-BR	PXI8KGO8	102	347-480	13 889	136	70	>60000	7Hx6V	B3-U0-G2	0.53	0.5	Bronze	Yes	0.907	12.82	250-400	250-400	1	
68559	FLBS-L2AM-W-5K-BR	P7UW1HGQ	151	120-277	21 518	142	70	>60000	7Hx6V	B4-U0-G3	0.53	1.412-0.601	Bronze	Yes	0.995	5.14	400-1000	400-1000	1	
68560	FLBS-L2AM-I-5K-BR	PRNTEMC2	151	347-480	20 846	138	70	>60000	7Hx6V	B4-U0-G3	0.53	0.8	Bronze	Yes	0.934	10.49	400-1000	400-1000	1	
68561	FLBM-L3AM-W-5K-BR	PDGFOXV9	234	120-277	34 040	146	70	>60000	7Hx7V	B5-U0-G3	0.58	2.191-0.947	Bronze	Yes	0.997	6.01	400-1000	400-1000	1	
68562	FLBM-L3AM-I-5K-BR	PHYCSFEG	230	347-480	32 239	140	70	>60000	7Hx7V	B5-U0-G3	0.58	1.8	Bronze	Yes	0.922	12.53	400-1000	400-1000	1	
68563	FLBL-L4AM-W-5K-BR	PUQ706SQ	300	120-277	42 098	140	70	>60000	7Hx6V	B5-U0-G3	0.63	2.703-1.168	Bronze	Yes	0.998	5.87	400-1000	1000	1	
68564	FLBL-L4AM-I-5K-BR	PUARX5NS	283	347-480	40 945	145	70	>60000	7Hx6V	B5-U0-G3	0.63	1.5	Bronze	Yes	0.905	16.26	400-1000	1000	1	
68565	FLBX-L5AM-W-5K-BR	PKYTJO5T	396	120-277	58 000	146	70	>60000	7Hx7V	B5-U0-G4	0.71	3.618-1.613	Bronze	Yes	0.998	2.91	1000	1000	1	
68566	FLBX-L5AM-I-5K-BR	PS3NPT7H	400	347-480	58 148	145	70	>60000	7Hx7V	B5-U0-G4	0.71	2.09	Bronze	Yes	0.955	7.56	1000	1000	1	

POWER AND CCT SELECTABLE

Order code	Model number	DLC unique ID	Watts	Volts	Lumen output	Efficacy	CRI	Life L70	Distrib. type	BUG	EPA	LED current	Finish	Dimming (Yes/No)	Power factor	THD (%)	Traditional equivalent (W)		Master case qty	
			(W)	(V AC)	(lm) ³	(lm/W)	(hrs) ⁴	(ft ²)	(mA)	MH	HPS									
3 000/4 000/5 000 K¹																				
68567	FLBM-PS150M-W-3C-BR	PL20NY2KV349	50/80/100/150	120-277	6 950/11 200/13 500/18 900 ⁴	125	70	>54000	7Hx7V	B4-U0-G1	0.53	1.411-0.595	Bronze	Yes	0.995	5.73	175-400	150-400	1	
68568	FLBX-PS300M-W-3C-BR	PLW6WKGMVNOQ	150/200/240/300	120-277	23 000/29 100/33 600/37 500 ⁴	129	70	>54000	7Hx7V	B4-U0-G1	0.63	2.64-1.18	Bronze	Yes	0.998	4.26	400-1000	400-1000	1	

¹ Typical color temperature range: +/- 5 %.

² Lumen values are derived from photometric testing. Initial lumens range: +/- 10 %.

³ Lumen values are based on 4 000 K default programming. Please refer to the LUMEN SPECIFICATION TABLE for more details on other color temperatures.

⁴ Life hours are derived from IESNA LM-80-08 testing report and projected per IESNA TM-21-11 extrapolations.

Data is based upon tests performed in a controlled environment. Actual performance can vary depending on operating conditions. All products are subject to change or may be discontinued any time without notice. Please contact your Stanpro customer service representative to confirm inventory levels at time of order.

ORDERING GUIDE - SINGLE POWER AND SINGLE CCT

FLB	L	M						
Series	Size	Lamp type	Lumen package (W)	Distrib. type	Volts (V)	Color temp. (K)	Casting color	Options
FLB	S - Small	L - LED	1A - 100	M - Medium flood	W - 120-277 I - 347-480	4K - 4 000 5K - 5 000	BR - Bronze (standard) BK - Black WH - White SP - Special color	OSI - Occupancy sensor PR - 3 pin receptacle PR7 - 7 pin receptacle
	M - Medium		2A - 150					
	L - Large		3A - 230					
	X - Extra large		4A - 300 5A - 400					

ORDERING GUIDE - POWER AND CCT SELECTABLE

FLB	M	W	3C					
Series	Size	Lumen package (W)	Distrib. type	Volts (V)	Color temp. (K)	Casting color	Options	
FLB	M - Medium	PS150 - 50/80/100/150	M - Medium flood	W - 120-277	3C - 3 000/4 000/5 000	BR - Bronze (standard) BK - Black WH - White SP - Special color	OSI - Occupancy sensor PR - 3 pin receptacle PR7 - 7 pin receptacle	
	X - Extra large	PS300 - 150/200/240/300						

OCCUPANCY SENSORS

Part number	Position	Volts (V)	Technology	Height (m)	Detection Area (%)	Hold time (min)	Stand-by dim level (%)	Daylight min level	Remote Part number ¹	Location ² (°C)
OSI-MSE	Internal	120-347	Microwave	10 max	100	15	50	Disable	68719 ¹	-35 to +60

¹ To be ordered separately.

² Verify fixture temperature for compatibility with sensor.

ACCESSORIES (order separately)

Order code	Description	Weight (lbs)
68569	Bronze Yoke for FLBS-FLBM	1.65
68570	Bronze Yoke for FLBL-FLBX	2.43
68571	Bronze Slipfitter	2.65
68572	Bronze square/round Pole arm	1.76
68573	Bronze Trunnion	2.43
68717	Bronze Slipfitter and Wall mount adapter	4.41
68719	Occupancy sensor remote for OSI-MSE	-

MADE TO ORDER ACCESSORIES (order separately)¹

Order code	Description
68772	Black Yoke for FLBS-FLBM
68773	Black Yoke for FLBL-FLBX
68774	Black Slipfitter
68775	Black Square/round Pole Arm
68776	Black Trunnion
68778	Black Slipfitter and Wall/Pole Adapter
68779	White Yoke For FLBS-FLBM
68780	White Yoke For FLBL-FLBX
68781	White Slipfitter
68782	White Square/round Pole Arm
68783	White Trunnion
68785	White Slipfitter and Wall/Pole Adapter

¹ Contact factory for special color.

Data is based upon tests performed in a controlled environment. Actual performance can vary depending on operating conditions. All products are subject to change or may be discontinued any time without notice. Please contact your Stanpro customer service representative to confirm inventory levels at time of order.

TECHNICAL SPECIFICATION TABLE

Order code	Model number	Watts (W)	Volts (V)	3 000 K		4 000 K		5 000 K		CRI	Distribution type
				Lumen (lm)	Efficacy (lm/W)	Lumen (lm)	Efficacy (lm/W)	Lumen (lm)	Efficacy (lm/W)		
Power and CCT Selectable											
68567	FLBM-PS150M-W-3C-BR	50	120-277	6 800	136	6 950	139	7 510	150	70	7Hx7V
		80	120-277	11 000	138	11 200	140	11 500	144	70	7Hx7V
		100	120-277	13 200	132	13 500	135	14 000	140	70	7Hx7V
		150	120-277	18 700	125	18 900	126	19 200	128	70	7Hx7V
68568	FLBX-PS300M-W-3C-BR	150	120-277	22 400	149	23 000	153	23 800	159	70	7Hx7V
		200	120-277	28 200	141	29 100	146	30 000	150	70	7Hx7V
		240	120-277	32 600	136	33 600	140	34 650	144	70	7Hx7V
		300	120-277	36 800	123	37 500	125	38 000	127	70	7Hx7V

POWER AND CCT SELECTABLE SWITCHES

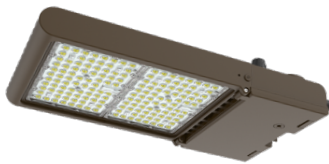
68567



CCT SELECTABLE
3 000/4 000/5 000 K

POWER SELECTABLE
50/80/100/150 W

68568



CCT SELECTABLE
3 000/4 000/5 000 K

POWER SELECTABLE
150/200/240/300 W

EPA

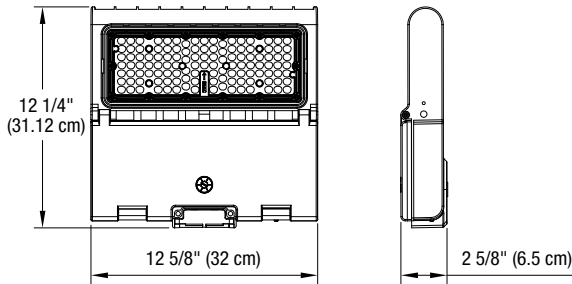
Watts (W)					
100-150	0.53	0.84	1.08	1.23	1.51
150	1.36	2.15	2.51	3.15	3.57
230	1.58	2.49	2.88	3.65	4.1
300	1.86	2.92	3.37	4.25	4.81
400	2.27	3.47	4.07	5.14	5.81

Based on 60° tilt with Slipfitter.

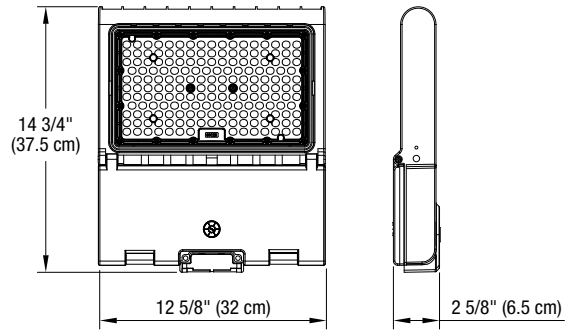
Data is based upon tests performed in a controlled environment. Actual performance can vary depending on operating conditions. All products are subject to change or may be discontinued any time without notice. Please contact your Stanpro customer service representative to confirm inventory levels at time of order.

DIMENSIONS AND WEIGHTS

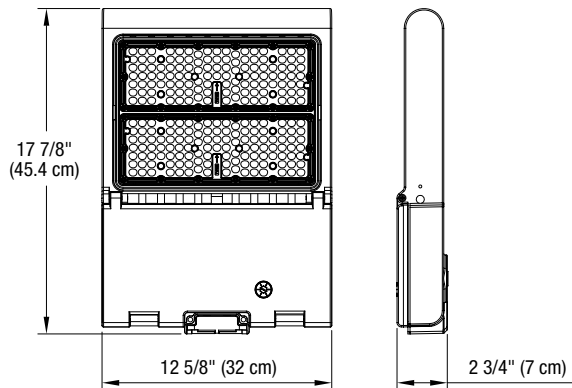
100, 150 W



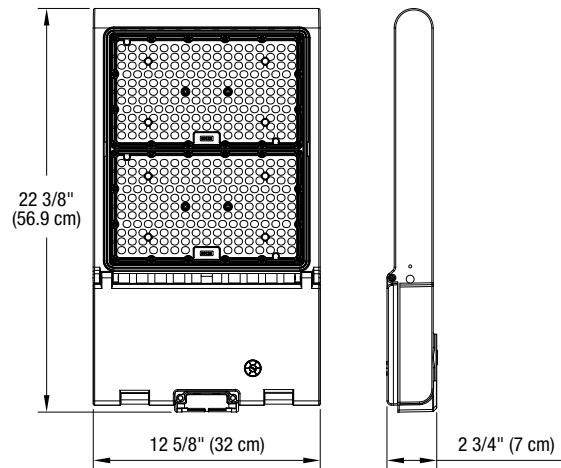
230 W & 68567



300 W



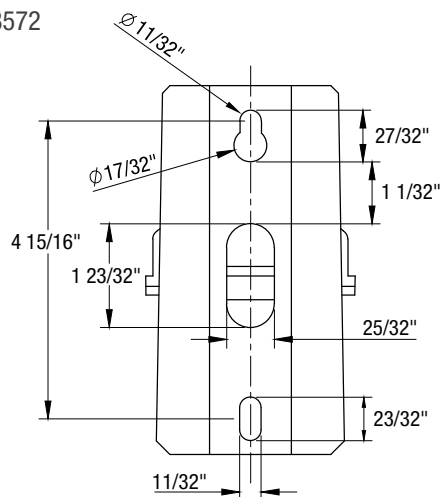
400 W & 68568



	100 W	150 W	230 W	300 W	400 W
Weight (lbs)	8.82	9.26	11.24	15.21	18.30

DRILLING PATTERN

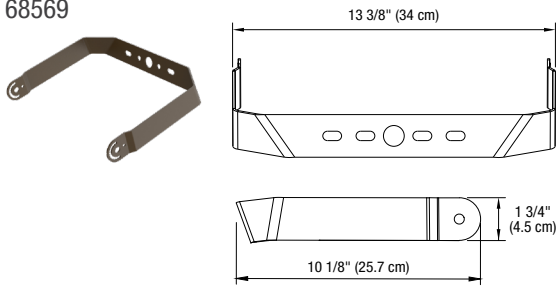
68572



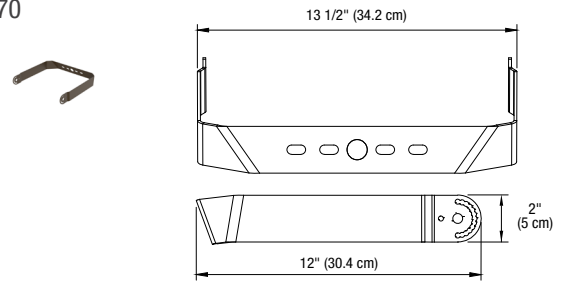
Data is based upon tests performed in a controlled environment. Actual performance can vary depending on operating conditions. All products are subject to change or may be discontinued any time without notice. Please contact your Stanpro customer service representative to confirm inventory levels at time of order.

DIMENSIONS

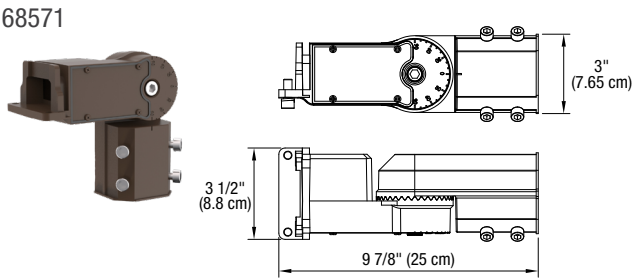
68569



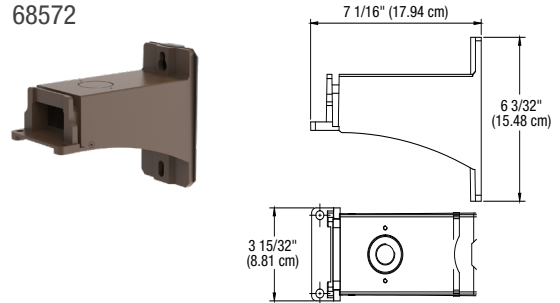
68570



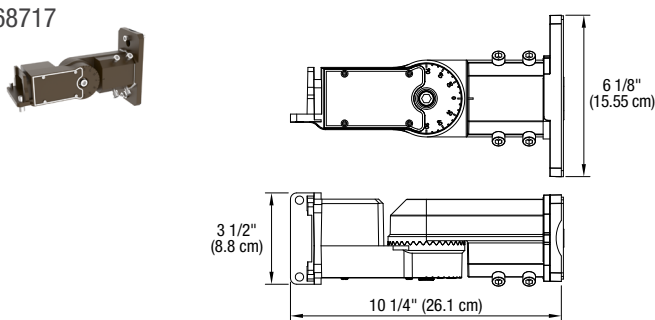
68571



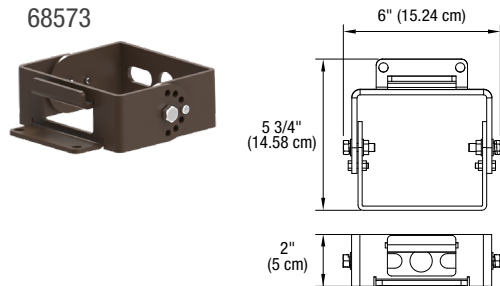
68572



68717



68573

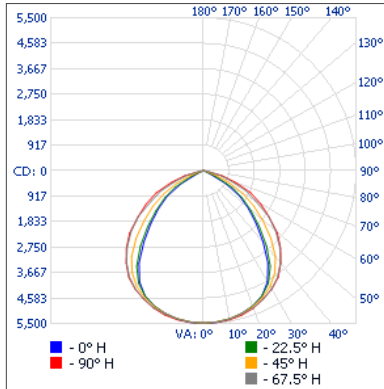


Data is based upon tests performed in a controlled environment. Actual performance can vary depending on operating conditions. All products are subject to change or may be discontinued any time without notice. Please contact your Stanpro customer service representative to confirm inventory levels at time of order.

PHOTOMETRIC DATA¹

68547 • FLBS-L1AM-W-40K-BR • 13 106.6 lm

Polar candela distribution



Zonal lumen summary

Zone	Lumens	% Fixture
0-30	4 340.8	33.1%
0-40	7 088.6	54.1%
0-60	11 683.8	89.1%
60-90	1 422.9	10.9%
70-100	350.6	2.7%
90-120	0	0%
0-90	13 106.6	100%
90-180	0	0%
0-180	13 106.6	100%

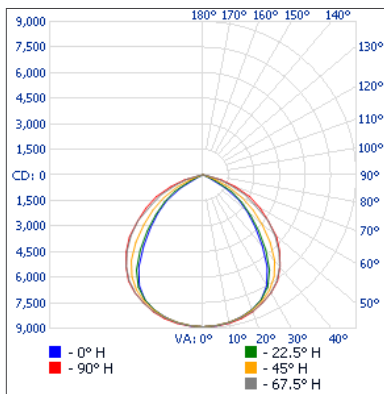
Illuminance at a distance

Center beam fc	Beam width
17'	33.5' 51.0'
34'	67.0' 102.0'
51'	100.4' 153.0'
68'	133.9' 204.0'
85'	167.4' 254.9'
102'	200.9' 305.9'

Vert. spread: 89.1°
Horiz. spread: 112.6°

68549 • FLBS-L2AM-W-40K-BR • 21 282.9 lm

Polar candela distribution



Zonal lumen summary

Zone	Lumens	% Fixture
0-30	7 048.8	33.1%
0-40	11 510.7	54.1%
0-60	18 972.4	89.1%
60-90	2 310.5	10.9%
70-100	569.3	2.7%
90-120	0	0%
0-90	21 282.9	100%
90-180	0	0%
0-180	21 282.9	100%

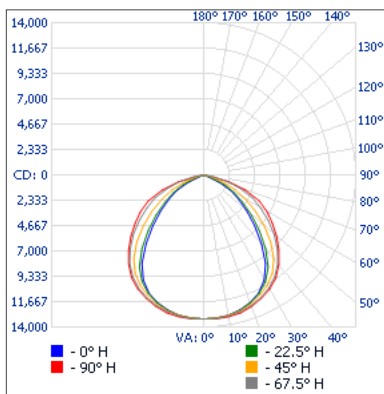
Illuminance at a distance

Center beam fc	Beam width
17'	33.5' 51.0'
34'	67.0' 102.0'
51'	100.4' 153.0'
68'	133.9' 204.0'
85'	167.4' 254.9'
102'	200.9' 305.9'

Vert. spread: 89.1°
Horiz. spread: 112.6°

68551 • FLBM-L3AM-W-40K-BR • 33 680.2 lm

Polar candela distribution



Zonal lumen summary

Zone	Lumens	% Fixture
0-30	10 547.3	31.3%
0-40	17 301.9	51.4%
0-60	29 008.2	86.1%
60-90	4 672.0	13.9%
70-100	1 320.9	3.9%
90-120	0	0%
0-90	33 680.2	100%
90-180	0	0%
0-180	33 680.2	100%

Illuminance at a distance

Center beam fc	Beam width
17'	34.5' 59.8'
34'	69.0' 119.7'
51'	103.5' 179.5'
68'	138.0' 239.3'
85'	172.5' 299.2'
102'	207.0' 359.0'

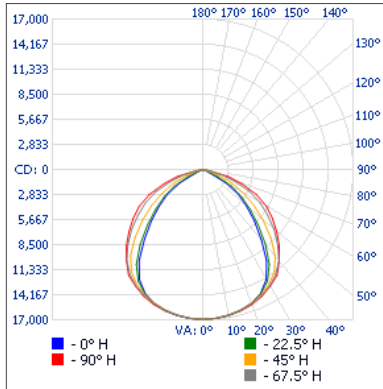
Vert. spread: 90.8°
Horiz. spread: 120.8°

¹ Complete IES files available on our website. Data is based upon tests performed in a controlled environment. Actual performance can vary depending on operating conditions. All products are subject to change or may be discontinued any time without notice. Please contact your Stanpro customer service representative to confirm inventory levels at time of order.

PHOTOMETRIC DATA¹

68553 • FLBL-L4AM-W-40K-BR • 41 646.9 lm

Polar candela distribution



Zonal lumen summary

Zone	Lumens	% Fixture
0-30	13 429.8	32.2%
0-40	21 982.5	52.8%
0-60	36 445.3	87.5%
60-90	5 201.6	12.5%
70-100	1 453.8	3.5%
90-120	0	0%
0-90	41 646.9	100%
90-180	0	0%
0-180	41 646.9	100%

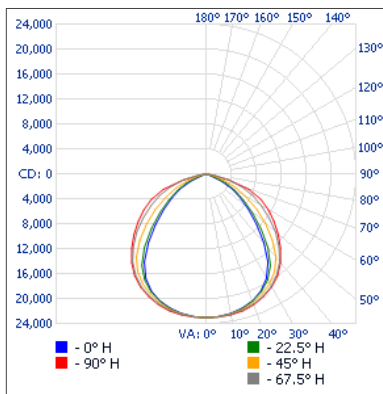
Illuminance at a distance

Center beam fc	Beam width	
	17'	57.5'
17'	58.6 fc	33.4' 57.5'
34'	14.7 fc	66.8' 114.9'
51'	6.51 fc	100.2' 172.4'
68'	3.66 fc	133.6' 229.9'
85'	2.34 fc	167.0' 287.4'
102'	1.63 fc	200.4' 344.8'

■ Vert. spread: 89.0°
■ Horiz. spread: 118.8°

68555 • FLBX-L5AM-W-40K-BR • 57 917.4 lm

Polar candela distribution



Zonal lumen summary

Zone	Lumens	% Fixture
0-30	18 307.5	31.6%
0-40	30 011.4	51.8%
0-60	50 035.4	86.4%
60-90	7 882.0	13.6%
70-100	2 227.9	3.8%
90-120	0	0%
0-90	57 917.4	100%
90-180	0	0%
0-180	57 917.4	100%

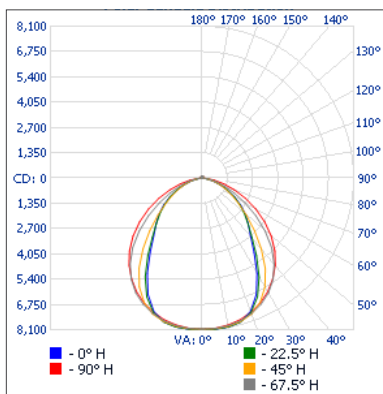
Illuminance at a distance

Center beam fc	Beam width	
	17'	58.9'
17'	79.8 fc	33.8' 58.9'
34'	19.9 fc	67.6' 117.8'
51'	8.86 fc	101.4' 176.8'
68'	4.98 fc	135.2' 235.7'
85'	3.19 fc	169.0' 294.6'
102'	2.22 fc	202.8' 353.5'

■ Vert. spread: 89.7°
■ Horiz. spread: 120.0°

68567 • FLBM-PS150M-W-3C-BR • 18 869.2 lm

Polar candela distribution



Zonal lumen summary

Zone	Lumens	% Fixture
0-30	6 297.7	33.4%
0-40	9 923.4	52.6%
0-60	15 837.6	83.9%
60-90	2 694.2	14.3%
70-100	1 025.0	5.4%
90-120	87.3	0.5%
0-90	18 531.9	98.2%
90-180	337.3	1.8%
0-180	18 869.2	100%

Illuminance at a distance

Center beam fc	Beam width	
	17'	47.5'
17'	27.9 fc	28.4' 47.5'
34'	6.98 fc	56.8' 95.1'
51'	3.10 fc	85.2' 142.6'
68'	1.75 fc	113.6' 190.1'
85'	1.12 fc	142.1' 237.7'
102'	0.78 fc	170.5' 285.2'

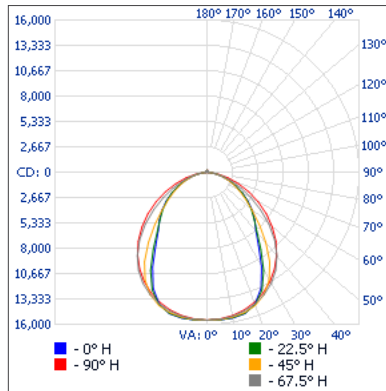
■ Vert. spread: 79.8°
■ Horiz. spread: 108.9°

¹ Complete IES files available on our website. Data is based upon tests performed in a controlled environment. Actual performance can vary depending on operating conditions. All products are subject to change or may be discontinued any time without notice. Please contact your Stanpro customer service representative to confirm inventory levels at time of order.

PHOTOMETRIC DATA¹

68568 • FLBX-PS300M-W-3C-BR • 37 441.4 lm

Polar candela distribution



Zonal lumen summary

Zone	Lumens	% Fixture
0-30	12 139.0	32.4%
0-40	19 139.7	51.1%
0-60	30 849.2	82.4%
60-90	5 995.1	16%
70-100	2 438.5	6.5%
90-120	156.7	0.4%
0-90	36 844.3	98.4%
90-180	597.0	1.6%
0-180	37 441.4	100%

Illuminance at a distance

Center beam fc		Beam width	
17'	53.8 fc	29.7'	46.4'
34'	13.4 fc	59.3'	92.8'
51'	5.98 fc	89.0'	139.1'
68'	3.36 fc	118.7'	185.5'
85'	2.15 fc	148.4'	231.9'
102'	1.49 fc	178.0'	278.3'

■ Vert. spread: 82.2°
■ Horiz. spread: 107.5°

¹ Complete IES files available on our website. Data is based upon tests performed in a controlled environment. Actual performance can vary depending on operating conditions. All products are subject to change or may be discontinued any time without notice. Please contact your Stanpro customer service representative to confirm inventory levels at time of order.