

## RDE-L ROUND POST TOP

The RDE-L round LED post top luminaire offers a contemporary and elegant look making it a great addition to applications where energy efficiency, performance and design are essential. Typical applications include urban streets, walkways, parks, shopping malls, residential areas, and campuses.

### FEATURES AND SPECIFICATIONS

#### • Construction

##### Housing

Die-cast aluminum housing comes standard in a black powder coated finish. All configurations come standard with a 3 pin receptacle and shorting cap.

##### Mounting options

Accommodates 3" tenons for pole mounting.

##### Optics

Type V distribution pattern provides wide uniform light output.

#### • Electrical

The LED drivers allow input from 120-277 V, or 347 V with the following onboard surge protection:

- **S15:** 4 kV standard for 120-277 and 347 V
- **S25:** 10 kV for 120-277 V and 6 kV for 347 V
- **S35:** 10 kV standard for 120-277 and 347 V

120-277 V and 347 V drivers are 0-10 V dimmable.

The RDE-L post top is suitable for ambient temperature range of -40 to 40 °C.

Available in 4 000 and 5 000 K color temperatures with a lumen per watt ratio of 105 to 112 lm/W depending on the lumen package.

#### • Compliances

- Meets requirements of ICES-005 issue 4 for class B products
- cETLus

### OVERVIEW

Light source	LED
Watts (W)	63 - 150
Lumen output (lm)	6 750 - 16 200
Efficacy (lm/W)	105 - 112
Color temperature (K)	4 000 - 5 000
Weight (lbs)	17.20



quick  
ship



LED  
fixture



ICES  
005



Not all products are qualified on the DLC QPL. To view our DLC qualified products, please consult the DLC Qualified Products List at [www.designlights.org/search](http://www.designlights.org/search).

QUICK SHIP AND TECHNICAL SPECIFICATION TABLE  1

Order code	Model number	DLC unique ID	Watts (W)	Volts (V AC)	Color temp. (K) <sup>2</sup>	Lumen output (lm) <sup>3</sup>	Efficacy (lm/W)	CRI	Life L70 (hrs) <sup>4</sup>	LED current (mA)	Power factor	THD (%)	EPA (ft <sup>2</sup> )	Traditional equivalent (W)		Case qty (master)
														MH	HPS	
68175	RDE-LS15-W/40KBKPR	PLQ020PUB9X0	64	120-277	4 000	6 766	105	80	42 000	101	0.99-0.99	10.5-11.9	1.96	175	150	1
68176	RDE-LS15-W/50KBKPR	PLTD23704VW4	63	120-277	5 000	6 750	107	80	42 000	101	0.99-0.99	10.5-11.9	1.96	175	150	1
68177	RDE-LS25-W/40KBKPR	PLFBL67QJL6K	80	120-277	4 000	8 817	110	80	42 000	80	0.97-0.99	4-10.3	1.96	250	175	1
68178	RDE-LS25-W/50KBKPR	PLBNTKQV3K5S	80	120-277	5 000	8 950	112	80	54 000	80	0.97-0.99	4-10.3	1.96	250	175	1
68179	RDE-LS35-W/40KBKPR	PLCR5TLCZZVP	150	120-277	4 000	16 000	106	70	42 000	84	0.97-1.0	4.2-6.6	1.96	400	250-400	1
68180	RDE-LS35-W/50KBKPR	PLOY2BH5CN5B	150	120-277	5 000	16 200	108	70	54 000	84	0.97-1.0	4.2-6.6	1.96	400	250-400	1

<sup>1</sup> QUICK SHIP: Product availability is subject to change without notice. Please contact your Stanpro customer service representative to confirm inventory levels at time of order.

<sup>2</sup> Typical color temperature range: +/- 5 %.

<sup>3</sup> Lumen values are derived from photometric testing. Initial lumens range: +/- 10 %.

<sup>4</sup> Life hours are derived from IESNA LM-80-08 testing report and projected per IESNA TM-21-11 extrapolations.

ORDERING GUIDE

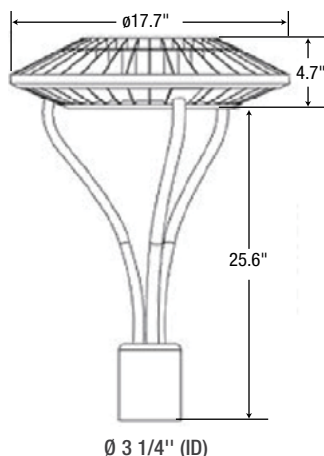
Series	Lamp type	Lumen package	Distribution type	Volts (V)	Color temp. (K)	Casting color	Mandatory option	Options
RDE	L - LED	S1 - Refer to technical specification table for details	5 - Type 5	W - 120-277 H - 347	40K - 4 000 50K - 5 000	BK - Black (standard) BZ - Bronze WH - White GY - Grey SP - Special color	PR <sup>1</sup> - 3 pin photocell receptacle only	PR7 <sup>1</sup> - 7 pin photocell receptacle only KV - 10 kV surge protection

<sup>1</sup> Twist lock photocell supplied by others.

TECHNICAL SPECIFICATION TABLE

Lumen package	Watts (W)	Volts (V)	4 000 K		5 000 K		CRI	Life L70 (hrs)	Type of distrib.	Power factor	THD (%)
			Lumen (lm)	Efficacy (lm/W)	Lumen (lm)	Efficacy (lm/W)					
S1	70	347	5 900	84	5 974	85	80	42 000	Type V	0.96	13.2
S2	100	347	7 804	78	7 924	79	80	42 000	Type V	0.943	7.3
S3	150	347	14 167	94	14 341	96	70	42 000	Type V	0.945	6.7

DIMENSIONS

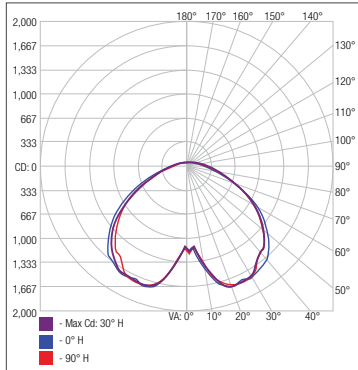


Data is based upon tests performed in a controlled environment. Actual performance can vary depending on operating conditions. All products are subject to change or may be discontinued any time without notice.

**PHOTOMETRIC DATA<sup>1</sup>**

**68175 • RDE-LS15-W/40KBKPR • 5 989.7 lm**

**Polar candela distribution**



**Zonal lumen summary**

Zone	Lumens	% Fixture
0-30	1 528.7	25.5%
0-40	2 637.9	44%
0-60	4 865.9	81.2%
60-90	1 123.8	18.8%
70-100	414.8	6.9%
90-120	0	0%
0-90	5 989.7	100%
90-180	0	0%
0-180	5 989.7	100%

**Illuminance at a distance**

Center beam fc	Beam width
1.7'	451 fc
3.3'	120 fc
5.0'	52.2 fc
6.7'	29.1 fc
8.3'	18.9 fc
10.0'	13.0 fc

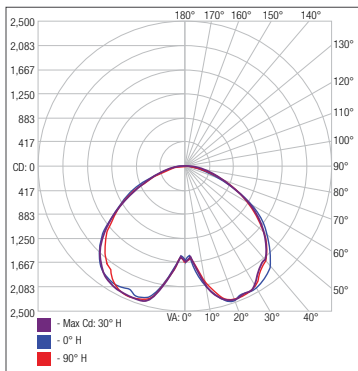
  

Beam width	Beam width
5.6'	5.5'
10.9'	10.6'
16.6'	16.1'
22.2'	21.6'
27.5'	26.7'
33.2'	32.2'

■ Vert. spread: 117.8°  
■ Horiz. spread: 116.3°

**68177 • RDE-LS25-W/40KBKPR • 7 804.0 lm**

**Polar candela distribution**



**Zonal lumen summary**

Zone	Lumens	% Fixture
0-30	1 991.7	25.5%
0-40	3 436.9	44%
0-60	6 339.8	81.2%
60-90	1 464.3	18.8%
70-100	540.5	6.9%
90-120	0	0%
0-90	7 804.1	100%
90-180	0	0%
0-180	7 804.1	100%

**Illuminance at a distance**

Center beam fc	Beam width
1.7'	588 fc
3.3'	156 fc
5.0'	68.0 fc
6.7'	37.9 fc
8.3'	24.7 fc
10.0'	17.0 fc

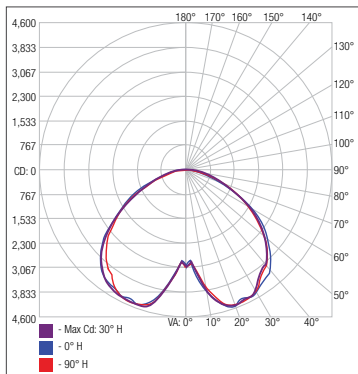
  

Beam width	Beam width
5.6'	5.5'
10.9'	10.6'
16.6'	16.1'
22.2'	21.6'
27.5'	26.7'
33.2'	32.2'

■ Vert. spread: 117.8°  
■ Horiz. spread: 116.3°

**68179 • RDE-LS35-W/40KBKPR • 14 166.0 lm**

**Polar candela distribution**



**Zonal lumen summary**

Zone	Lumens	% Fixture
0-30	3 615.5	25.5%
0-40	6 238.8	44%
0-60	11 508.2	81.2%
60-90	2 658.0	18.8%
70-100	981.1	6.9%
90-120	0	0%
0-90	14 166.2	100%
90-180	0	0%
0-180	14 166.2	100%

**Illuminance at a distance**

Center beam fc	Beam width
1.7'	1,067 fc
3.3'	283 fc
5.0'	123 fc
6.7'	68.7 fc
8.3'	44.8 fc
10.0'	30.8 fc

Beam width	Beam width
5.6'	5.5'
10.9'	10.6'
16.6'	16.1'
22.2'	21.6'
27.5'	26.7'
33.2'	32.2'

■ Vert. spread: 117.8°  
■ Horiz. spread: 116.3°

<sup>1</sup> Complete IES files available on our website.

Data is based upon tests performed in a controlled environment. Actual performance can vary depending on operating conditions. All products are subject to change or may be discontinued any time without notice.