



# LED HIGH BAY LUMINAIRES







---

# TABLE OF CONTENTS

<b>ROUND LED HIGH BAY</b>	<b>L1RUH</b> ROUND ECONOMIC AND HIGH PERFORMING LUMINAIRE		<i>02</i>
	<b>L1RSH</b> ROUND ECONOMIC AND HIGH PERFORMING LUMINAIRE	Quick Ship ⌚	<i>06</i>
	<b>L1RTH</b> ECONOMIC AND HIGH PERFORMING HIGH BAY	Quick Ship ⌚	<i>10</i>
	<b>L1RHT</b> HIGH TEMPERATURE HIGH BAY	High Temperature ☀	<i>16</i>
<b>LINEAR LED HIGH BAY</b>	<b>L1LEH</b> ECONO LED LINEAR HIGH BAY LUMINAIRE		<i>20</i>
	<b>L1EPH</b> LINEAR HIGH BAY	Quick Ship ⌚	<i>26</i>
	<b>L1FB</b> LINEAR HIGH BAY	Made to order 🏷	<i>32</i>

---

# L1RUH

**ROUND ECONOMIC AND  
HIGH PERFORMING LUMINAIRE**  
CCT AND POWER SELECTABLE  
INTEGRATED SENSOR

## DESCRIPTION

Our economic series of LED High Bays are an energy efficient solution with a simple design. This type of luminaire is ideal for any application such as warehouses, manufacturing facilities, sports arenas, and other large high ceiling indoor applications. The IP65 rating allows this fixture to be installed where dust and water spray may be present. Meets Nema 4X and NSF.



100-150 W



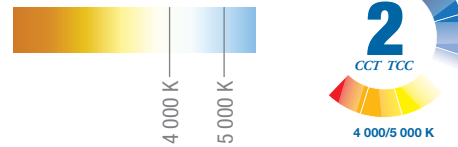
200-240 W



## FEATURES

- Pure light aluminum housing
- 12.6" - 14.76" diameter
- Clear PC lens over LEDs
- 13 465 - 37 900 lm
- 133 lm/W - 168 lm/W
- CCT and Power Selectable
- 120-277V, 120-347 V
- 80+ CRI
- 0-10 V dimming standard
- 4 kV surge protection
- Ambient temperature from -40°C to +50°C
- Estimated lifespan of over 54 000 hours to L70
- Meets NSF /NEMA 4X

## COLOR TEMPERATURE



## FIXTURE COLOR

- Black

## ACCESSORIES AND OPTIONS

Aluminum reflector and Clear polycarbonate reflector, Junction box adapter, trunnion, external high frequency sensor kit, external pir sensor kit, Remote control for motion sensors, Emergency back-up, EM back-up remote control

## MOUNTING OPTIONS

Hook mount standard. The hook is removable for 1/2' NPT conduit mounting. For additional security, use the safety cable accessory. A trunnion ( $\pm 90^\circ$ ) is also available for yoke bracket surface mounting.



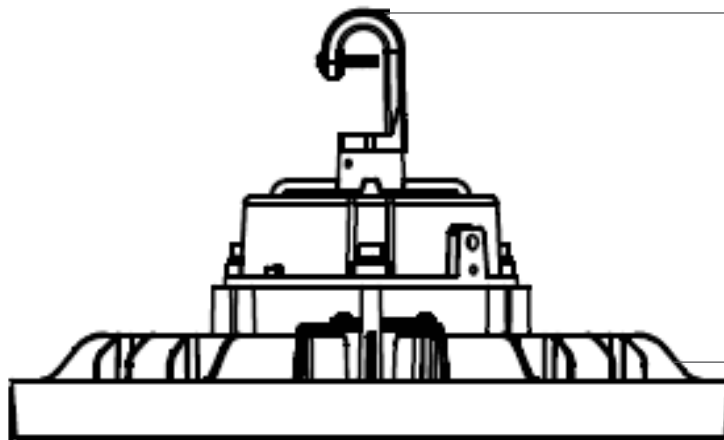
Not all products are qualified on the DLC QPL. To view our DLC qualified products, please consult the DLC Qualified Products List at [www.designlights.org/search](http://www.designlights.org/search).

# L1RUH

## ROUND ECONOMIC AND HIGH PERFORMING LUMINAIRE

CCT AND POWER SELECTABLE  
INTEGRATED SENSOR

*Hook mount (removable)*



*Pure light aluminum shell*

*Clear PC lens over LEDs*

- 10' cable standard in all configurations.
- Rated IP65 to prevent it from dust, wet or damp factors
- Surge protection 4 kV

### AVAILABLE REFLECTORS



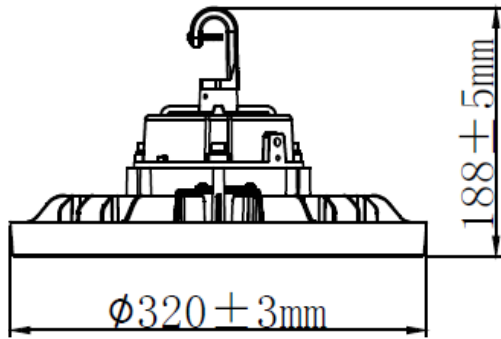
*CLEAR PC REFLECTOR*



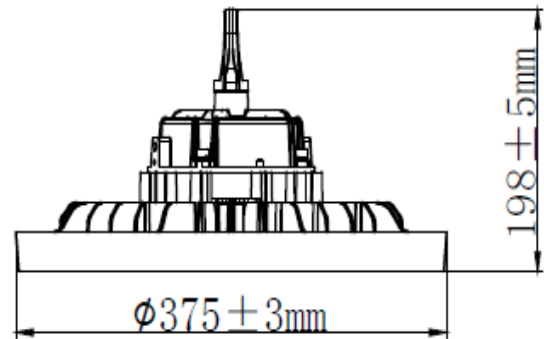
*ALUMINUM REFLECTOR*

## DIMENSIONS

*100-150 W*



*200-240 W*



---

# L1RSH

## ROUND ECONOMIC AND HIGH PERFORMING LUMINAIRE

### DESCRIPTION

Our economic series of LED High Bays are an energy efficient solution with a simple design. This type of luminaire is ideal for any application such as stockrooms, manufacturing, sports arenas, and other large high ceiling indoor applications. The IP65 rating allows this fixture to be installed where dust and water spray may be present.

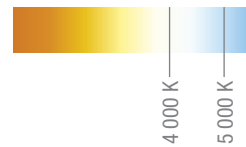




## FEATURES

- Pure light aluminum shell
- 9.4" - 12.0" diameter
- Clear polycarbonate lens over LEDs
- 15 147 lm - 37 911 lm
- 153 lm/W - 156 lm/W
- 120-277 V, 347 V
- 80+ CRI
- Ambient temperature: 40°C TO +45°C
- Life L70: 151 000 hours
- Color temperatures: 4 000 K, 5 000 K

## COLOR TEMPERATURE



## FIXTURE COLOR

- Black

## ACCESSORIES AND OPTIONS

Aluminum reflector, clear polycarbonate reflector, high frequency sensor, trunnion ( $\pm 90^\circ$ ), safety cable.

## MOUNTING OPTIONS

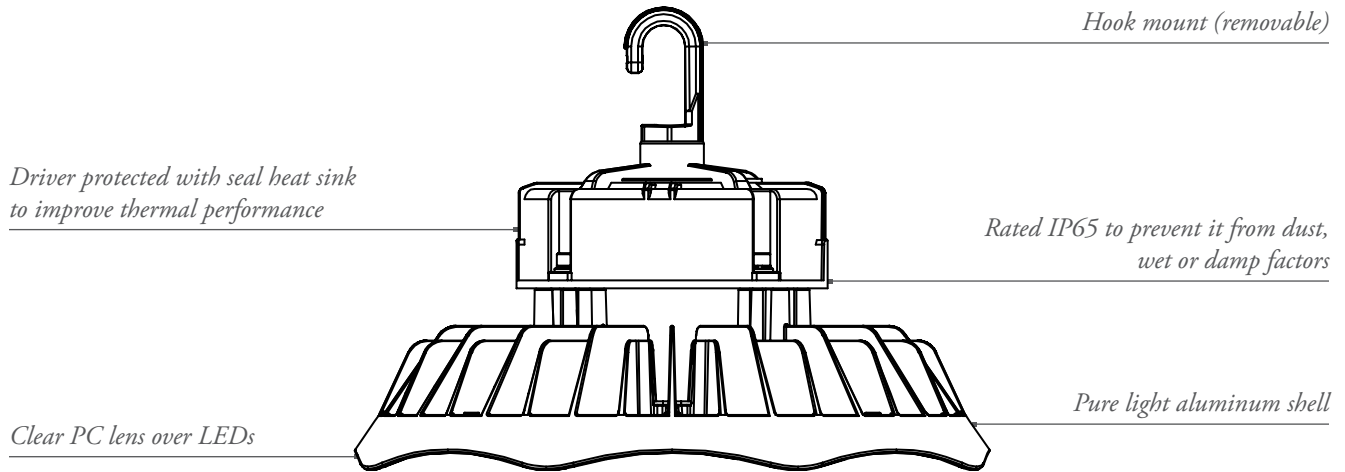
Hook mount standard. The hook is removable for  $\frac{1}{2}$ " NPT conduit mounting. For additional security, use the safety cable accessory.

A trunnion ( $\pm 90^\circ$ ) is also available for yoke bracket surface mounting.



# L1RSH

## ROUND ECONOMIC AND HIGH PERFORMING LED HIGH BAY

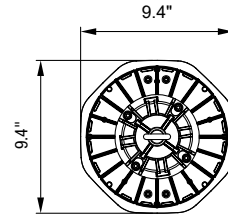
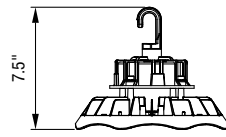


- 10' power cable and dimming wires standard
- Standard 110° beam angle

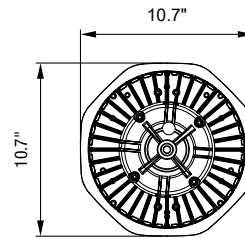
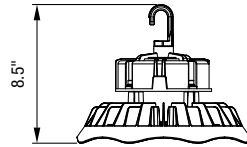


## DIMENSIONS

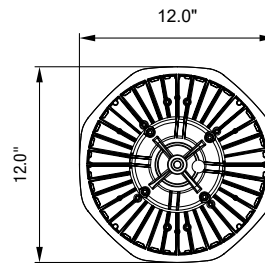
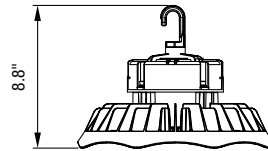
*S1 – 120-277 V et 347 V*

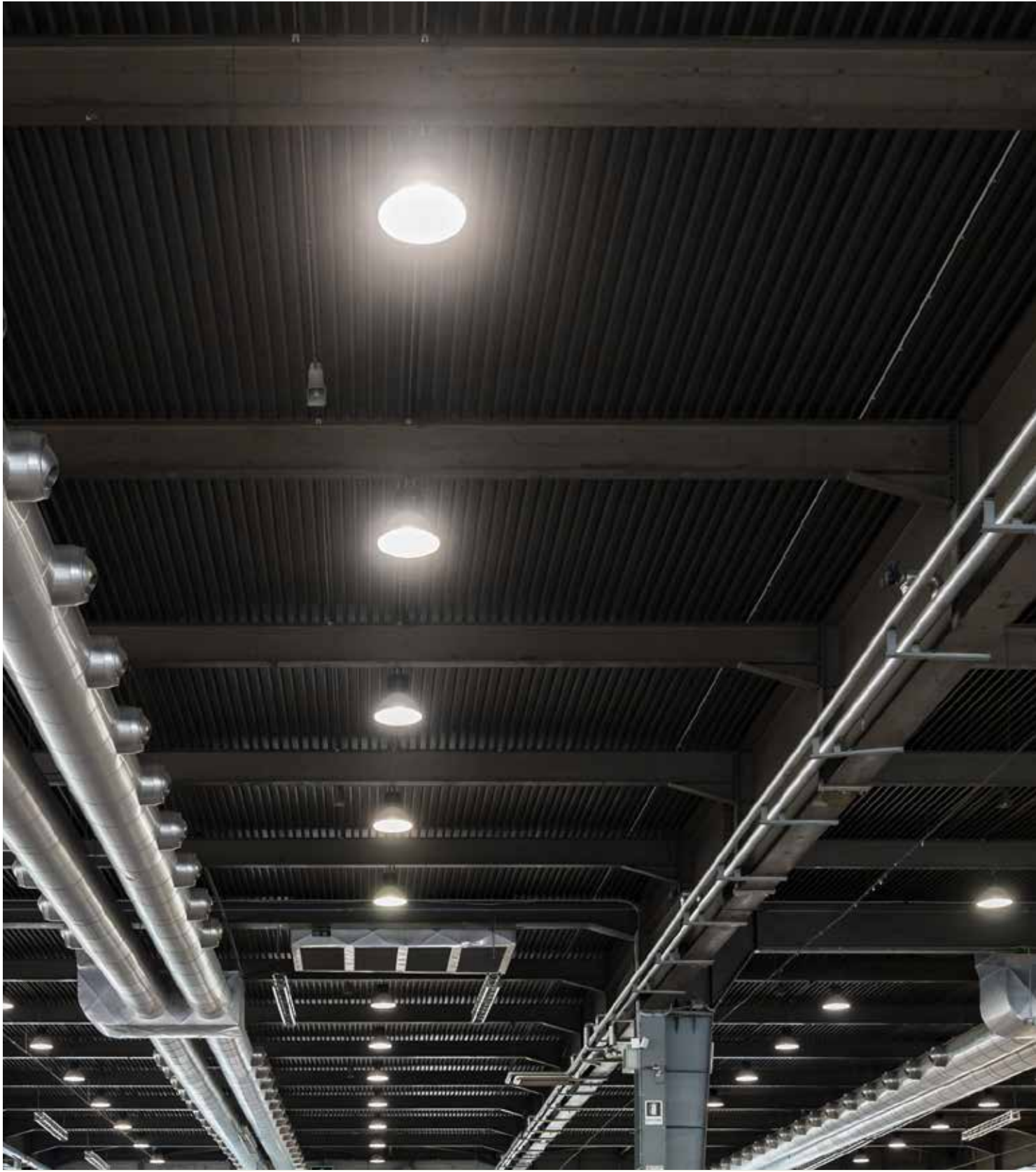


*S2-S3 – 120-277 V et 347 V*



*S4 – 120-277 V et 347 V*







---

# L1RTH

## ROUND ECONOMIC AND HIGH PERFORMING LED HIGH BAY

### DESCRIPTION

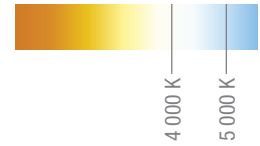
The L1RTH is an energy efficient round high bay solution with a simple design. It comes in 4 sizes, ideal for medium and large vertical spaces requiring a higher lumen output with the advantage of being a low-cost solution. L1RTH is rated IP65, perfect for dusty, wet or damp environments like warehouses, manufacturing, sports facilities, aerospace, distribution center or convention centers.



# L1RTH

## ROUND ECONOMIC AND HIGH PERFORMING LED HIGH BAY

### COLOR TEMPERATURE



### FEATURES

- Pure light aluminum housing
- 10.71" - 17.2" diameter
- Clear glass lens over LEDs
- 12 663 lm - 39 678 lm
- 128.04 lm/W - 138.32 lm/W
- 120-277 V, 347 V
- 80+ CRI
- Ambient temperature from -40°C to +50°C
- Estimated lifespan of over 54 000 hours to L70



### FIXTURE COLOR

■ Black

### ACCESSORIES AND OPTIONS

Clear polycarbonate and aluminum reflectors, trunion, power cable and diming extensions, safety cable, high frequency occupancy sensors

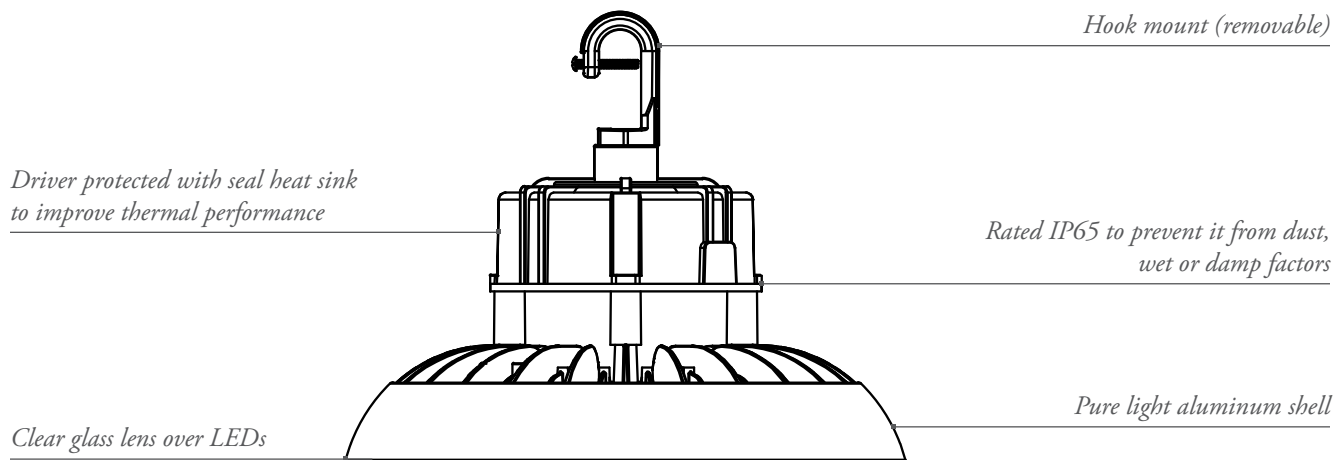
### MOUNTING OPTIONS

Hook, surface bracket and ½" NPT conduit mounting



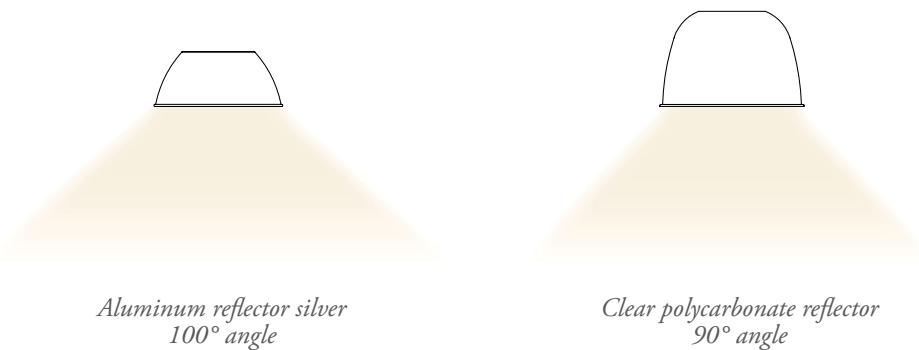
# L1RTH

## ROUND ECONOMIC AND HIGH PERFORMING LED HIGH BAY



- 6' of power cable and dimming wires
- Standard 110° beam angle
- Surge protection 2 kV - 6 kV\*

### REFLECTORS ANGLES

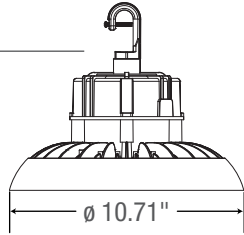


\* Please visit our cat page for details

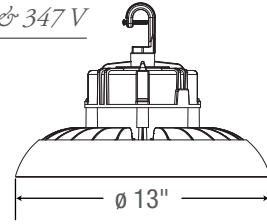


## DIMENSIONS

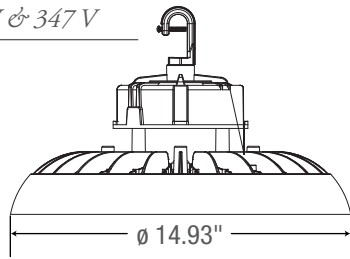
*S1 – 120-277 V & 347 V*



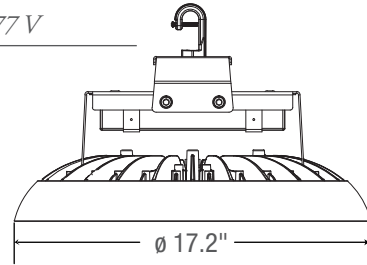
*S2 – 120-277 V & 347 V*



*S3 & S4 – 120-277 V & 347 V*



*S5 – 120-277 V*





---

# L1RHT

**HIGH TEMPERATURE**

**HIGH BAY**

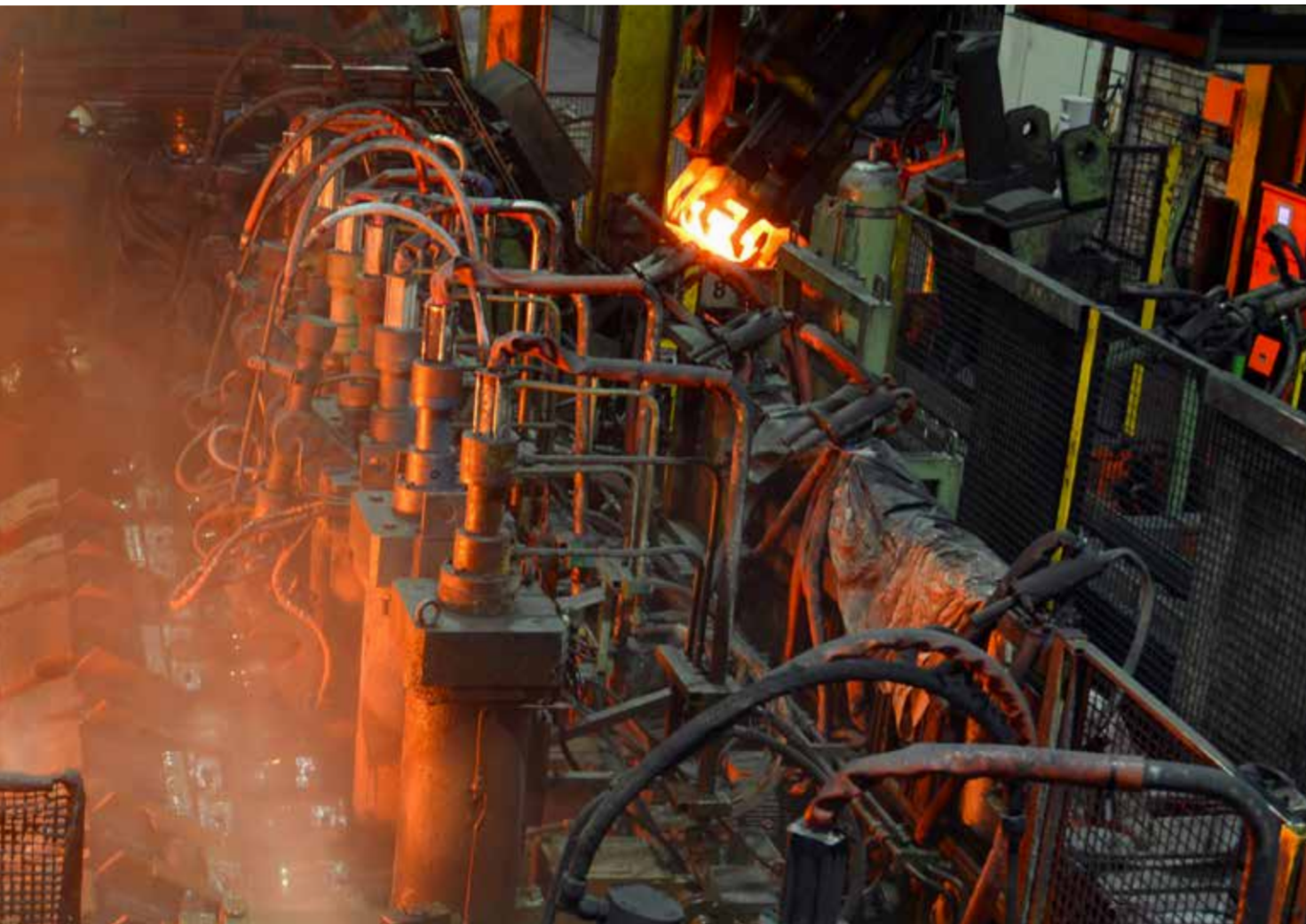
**HIGH LUMEN OUTPUT**

**HIGH IMPACT RESISTANT**

**70°C LED HIGH BAY**

## DESCRIPTION

Stanpro's L1RHT is a high temperature, high lumen output, high impact resistant LED high bay rated up to 70°C operating temperature. The fixture is ideal for industrial applications where intense heat is present. The L1RHT is IP66 and IP67 rated which allows it to be installed in environments where dust and water are present.



*200 W*



*400 W*



*600 W*



*800 W*



# L1RHT

## HIGH TEMPERATURE HIGH BAY

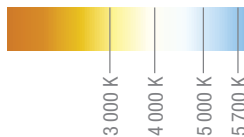
HIGH LUMEN OUTPUT HIGH IMPACT

RESISTANT 70°C LED HIGH BAY

### FEATURES

- Innovative design accommodates up to 8 LED modules
- Heat-sinking technology ensures long lifespan and low light decline
- All exposed fasteners are made of quality stainless steel
- Thermal shock and impact resistant tempered glass (IK08) or PC Lens (IK10)
- High Temperature silicone gasketing
- 30 000 - 120 000 lm
- Up to 150 lm/W
- 120-277 V or 347-480 V (50-60 Hz)
- 70+ CRI
- 0-10 V dimming standard (10-100%) + 12 V
- Ambient temperature: glass lens: -40°C to +70°C, PC lens: -40°C to 65°C
- Estimated lifespan of over 110 000 hours to L70 @ 70°C

### COLOR TEMPERATURE



### FIXTURE COLOR

- Black

### ACCESSORIES AND OPTIONS

15 ft. cord, 10 KV Surge Protection for 120-277 V or 347-480 V,  
Optional cord with waterproof harness connector for 0-10 V dimming

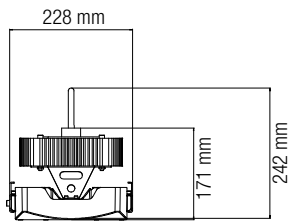
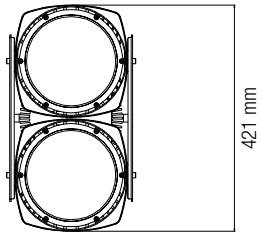
### MOUNTING OPTIONS

- Suitable for mounting heights from 20 to 100+ ft
- Anti-corrosion housing tested 1000hrs to standard ASTM B117-11"
- Hook mount comes standard with 200 W configurations
- Hook mount with support bar comes standard with 400 W, 600 W and 800 W configurations

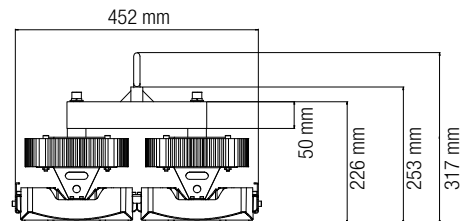
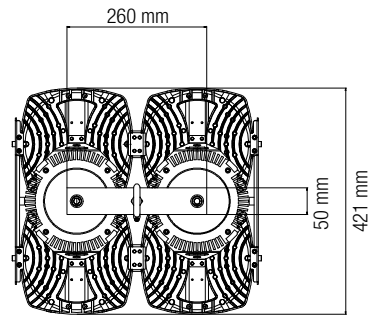


## DIMENSIONS

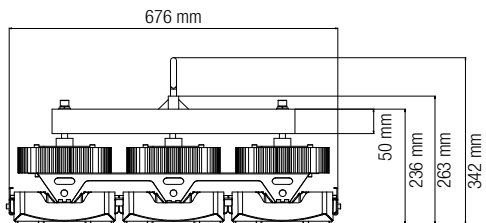
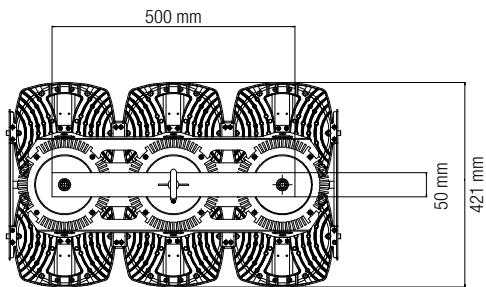
200 W



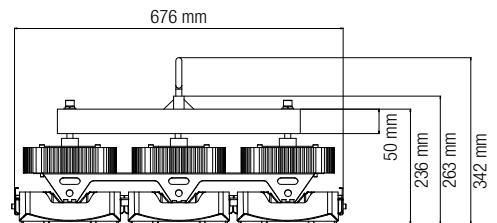
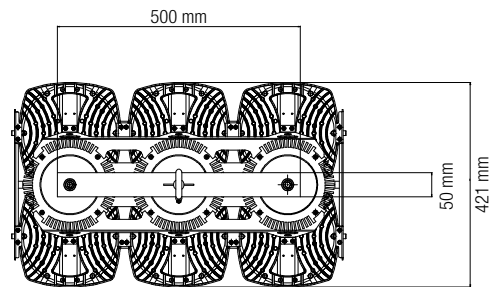
400 W



600 W



800 W







---

# L1LEH

## ECONO LED LINEAR HIGH BAY LUMINAIRE

MULTI-VOLTAGE  
(120-347 V)

### DESCRIPTION

Stanpro's economic L1LEH Linear High Bay with optional integrated sensor, is ideally suited for high ceiling warehouses as well as arenas where uniform and efficient lighting is required.



---

# L1LEH

## ECONO LED LINEAR HIGH BAY LUMINAIRE MULTI-VOLTAGE (120-347 V)

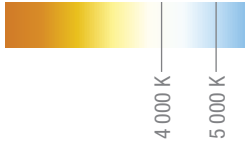
### FEATURES

- White powder coated 22 gauge slim, lightweight steel housing.
- Well ventilated driver compartment for optimal thermal management.
- Frosted PMMA lens over LEDs provides a diffused light distribution.
- 6' cable standard in all configurations.
- 11 475 - 54 000 lm
- 135 lm/W
- 120-347 V
- 80+ CRI
- 0-10 V dimming standard
- 2.0 kV surge protection
- Ambient temperature from -20°C to +50°C
- Estimated lifespan of over 54 000 hours to L70





### COLOR TEMPERATURE



### FIXTURE COLOR

White

### ACCESSORIES AND OPTIONS

V-Hooks, Chain Kits, Surface mount bracket, Conduit mount kit, Wireguard, External high frequency sensor kit, External PIR sensor kit, Remote control RM51 for motion sensors

### MOUNTING OPTIONS

Surface, suspended or pendant.  
V-Hooks for dual point chain (standard for all configurations). Compatible with aviation cable mounting (not provided). Other mounting options available, please see accessory table.



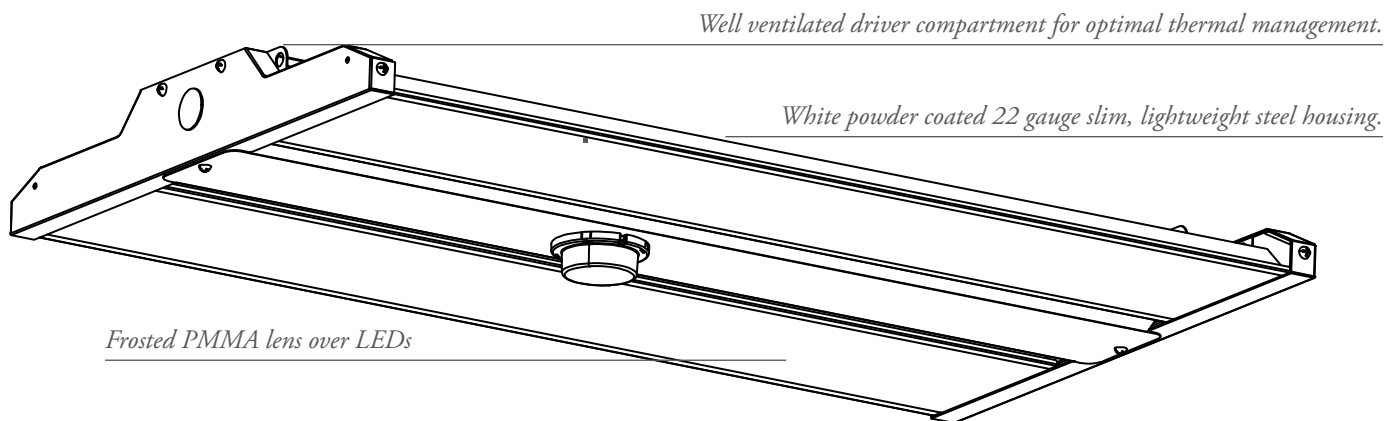
Not all products are qualified on the DLC QPL. To view our DLC qualified products, please consult the DLC Qualified Products List at [www.designlights.org/search](http://www.designlights.org/search).



# L1LEH

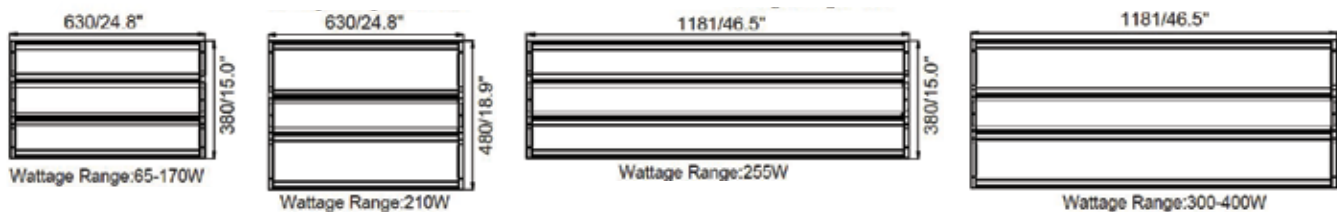
## ECONO LED LINEAR HIGH BAY LUMINAIRE

MULTI-VOLTAGE  
(120-347 V)

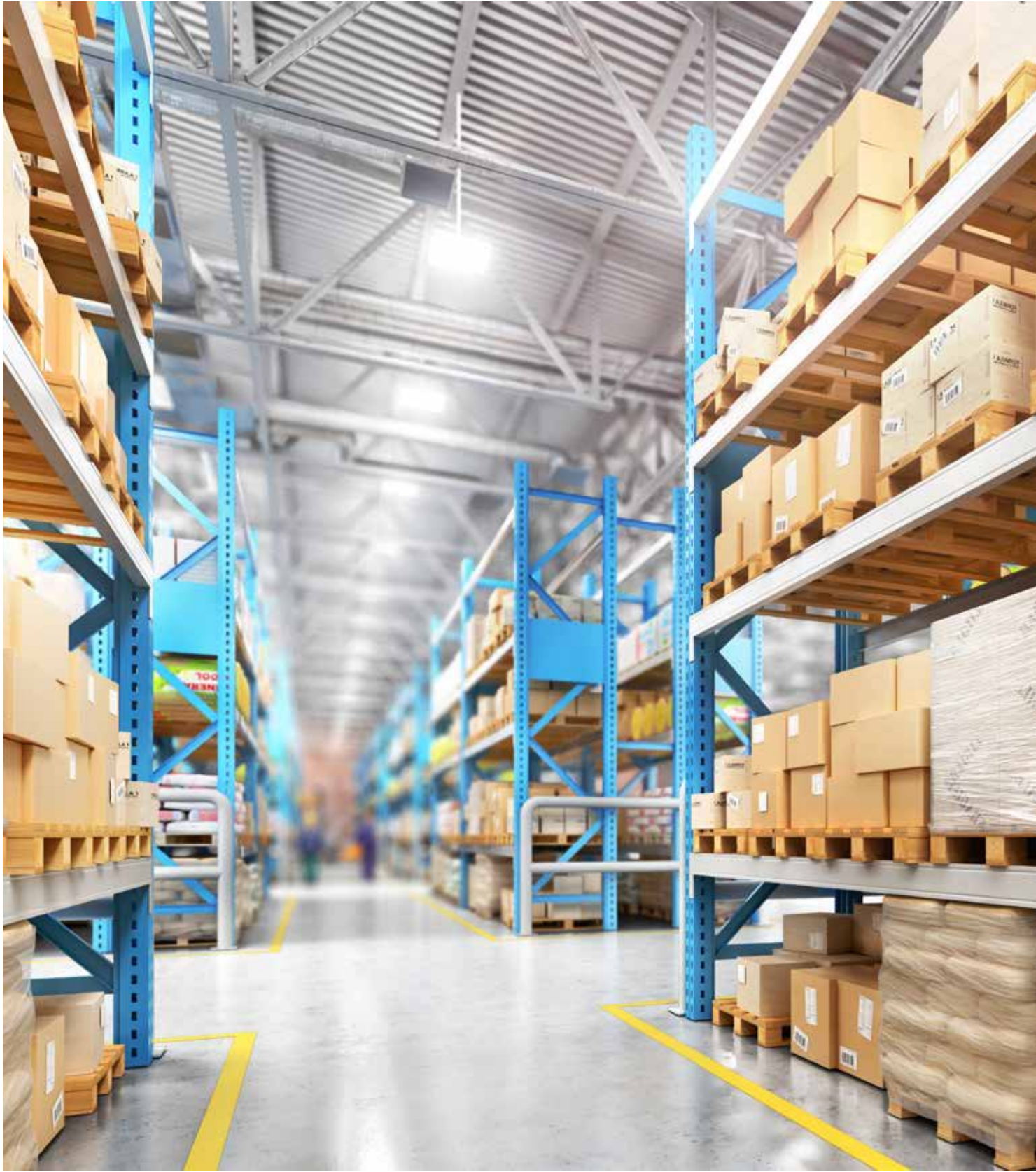


- 6' cable standard in all configurations.
- Surge protection 2 kV

### DIMENSIONS









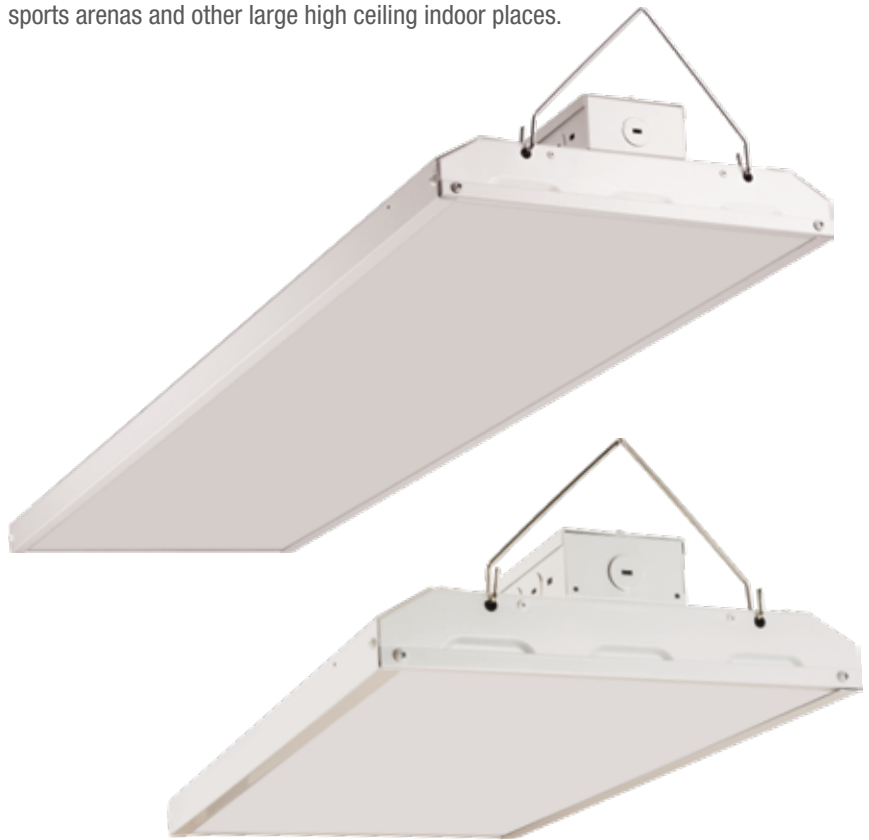
---

# L1EPH

## LINEAR LED HIGH BAY

### DESCRIPTION

The L1EPH are **quick ship** linear LED high bays. They come standard with a frosted acrylic lens and are offered in 2' or 4'. Different mounting accessories make them suitable for every application such as warehouses, sports arenas and other large high ceiling indoor places.



---

# L1EPH

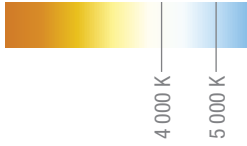
## LINEAR LED HIGH BAY

### FEATURES

- White powder painted 22-gauge steel housing
- 11 700 lm - 42 051 lm
- 130 lm/W - 132 lm/W
- 120-277 V, 347 V
- 80+ CRI
- Ambient temperature from -30°C to +50°C
- Estimated lifespan up to 100 000 hours to L70



**COLOR TEMPERATURE**



**FIXTURE COLOR**

White

**ACCESSORIES AND OPTIONS**

Wireguard

**MOUNTING OPTIONS**

Surface, V-Hook, conduit and aviation cable mount

**5**  
yrs  
warranty

  
LED  
fixture

  
quick  
ship

6  
damp  
location

  
ICES  
005







# L1EPH

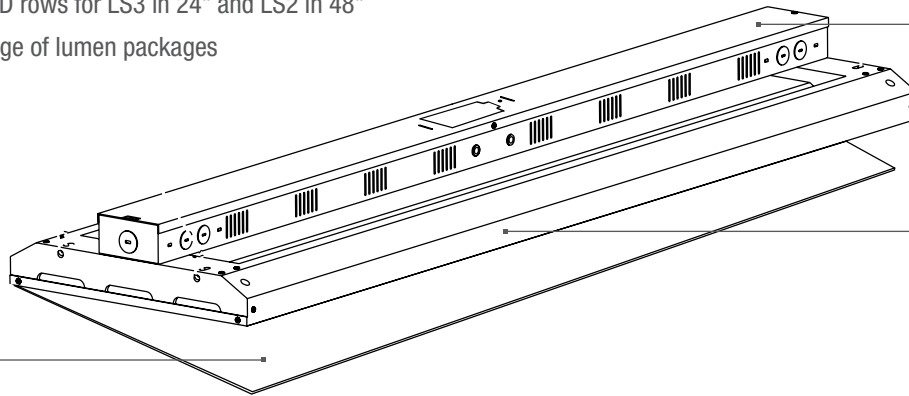
## LINEAR LED HIGH BAY

- 6' of power cable and dimming wires
- 4 LED rows for LS2 in 24" and LS1 in 48" version and 6 LED rows for LS3 in 24" and LS2 in 48"
- Wide range of lumen packages

*Independent driver compartment for optimal thermal management*

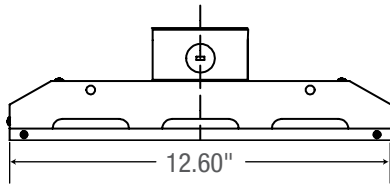
*White powder painted 22-gauge steel housing*

*Frosted acrylic lens over LEDs*

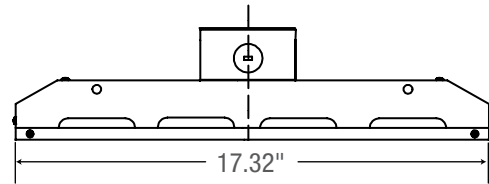


### DIMENSIONS

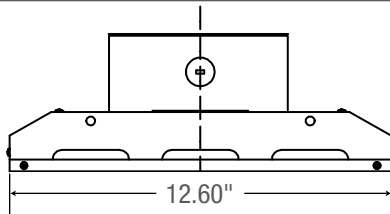
24" - LS2 & 48" - LS1A (120-277 V)



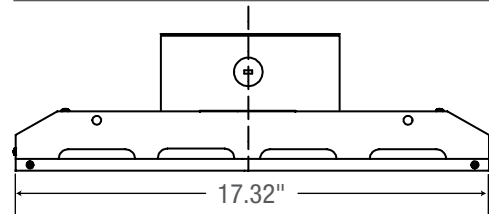
24" - LS3 & 48" - LS2A (120-277 V)



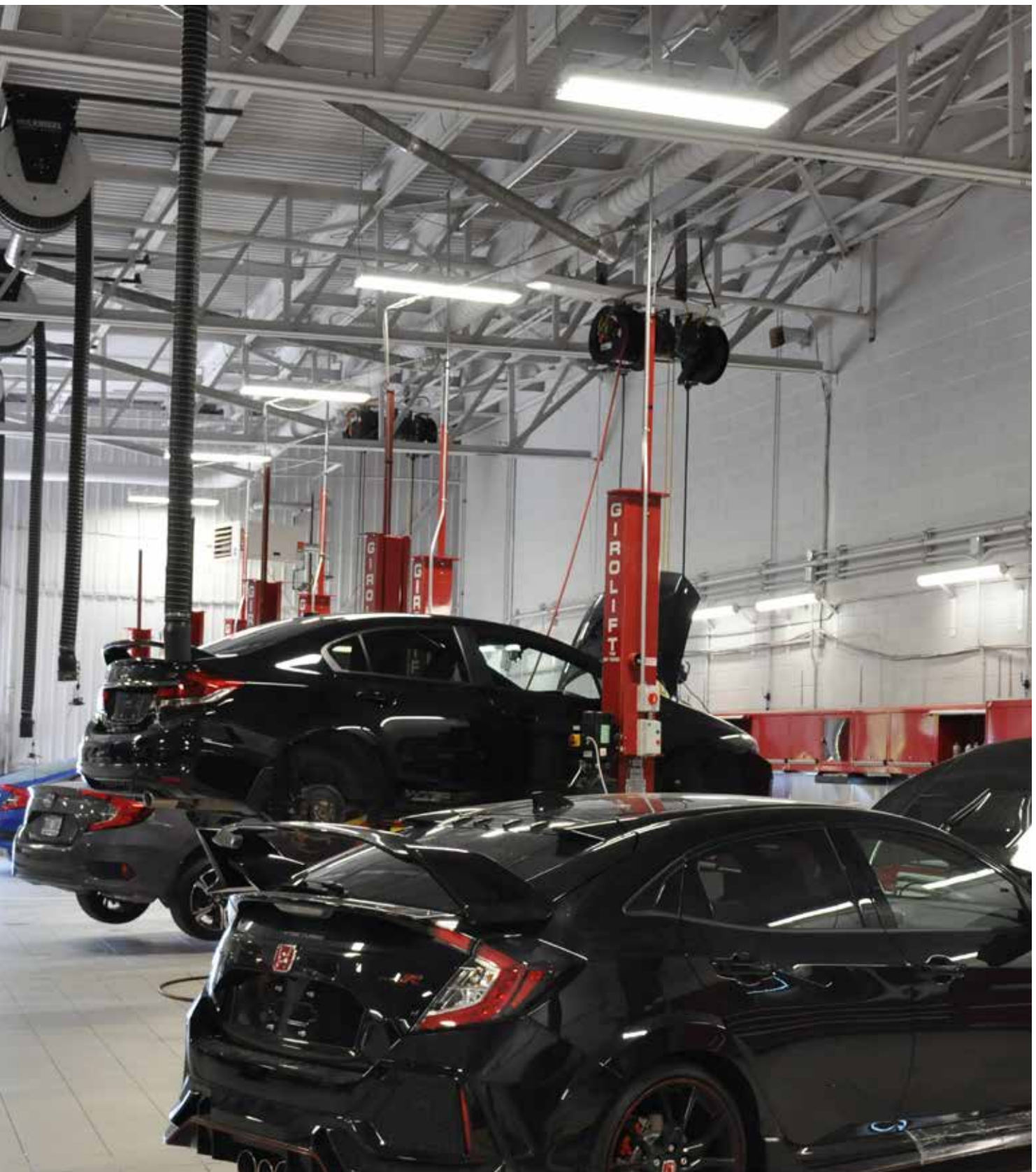
24" - LS2 & 48" - LS1A (347 V)



24" - LS3 & 48" - LS2A (347 V)







---

# L1FB

## LINEAR LED HIGH BAY

### DESCRIPTION

The L1FB is a high bay ideal for extensive high ceiling applications as it provides uniform lighting with 140lm/W high efficacy. This **made to order** fixture is available in 4' and it offers a variety of lenses, color temperature, occupancy sensors and more. The L1FB high bay is the right choice for wide range of commercial and industrial applications such as warehouses, factories, sports arenas and large stores.







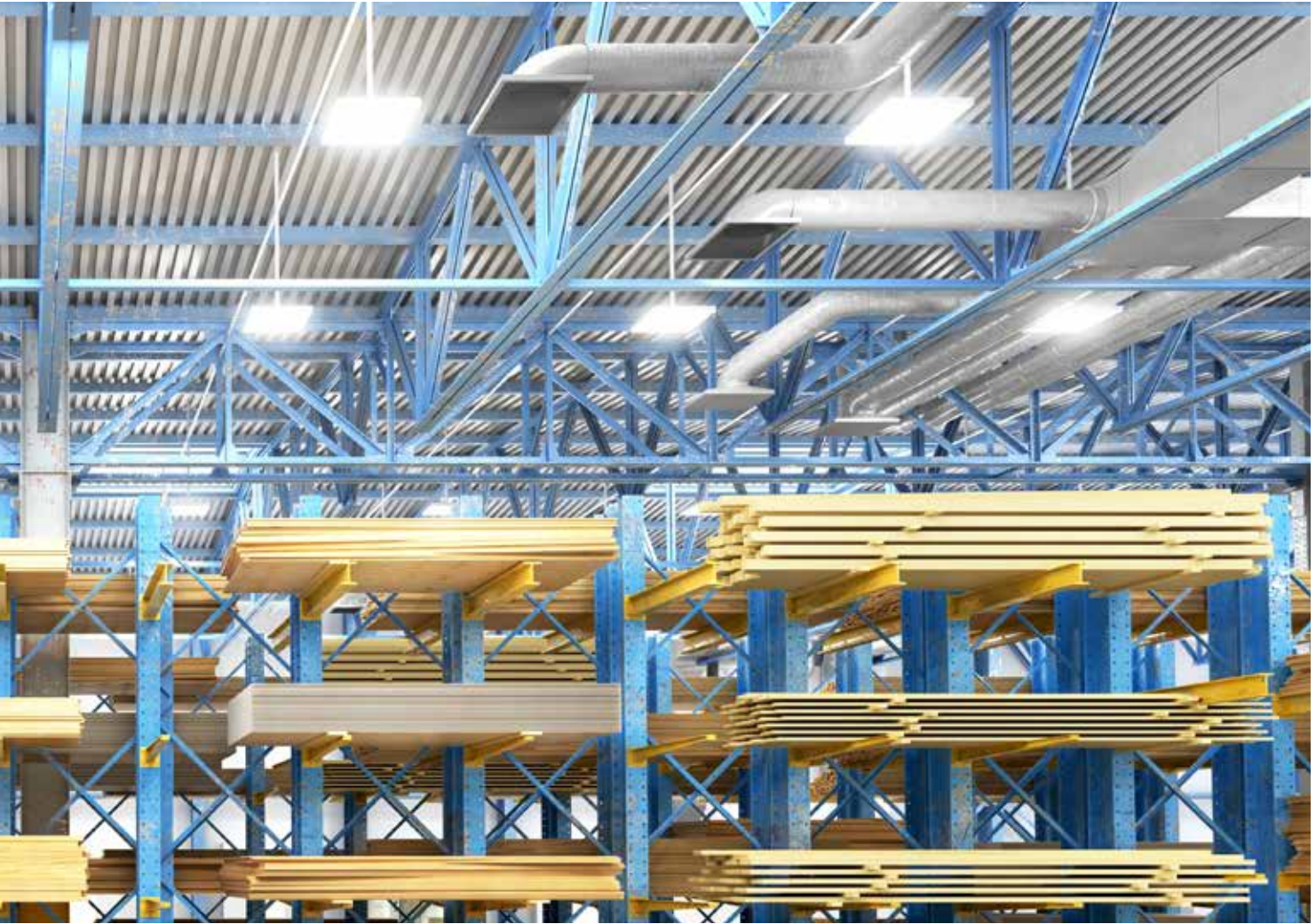
---

# L1FB

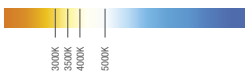
**LINEAR LED  
HIGH BAY**

## FEATURES

- Housing made with 22-gauge rolled steel with enamel powder coating
- 12 085 lm - 54 396 lm
- 126.5 lm/W - 149.9 lm/W
- 120-277 V, 347 V
- 80+ CRI
- Ambient temperature -40°C to +55°C
- Estimated lifespan of over 60 000 hours to L70



**COLOR TEMPERATURE**



**FIXTURE COLOR**

White

**ACCESSORIES AND OPTIONS**

Wireguard, PIR and high frequency occupancy sensors, frosted and clear prismatic lens, 10 kV surge protector

**MOUNTING OPTIONS**

Pendant mount with hooks and aviation cables

**5** yrs  
warranty

  
LED  
fixture

6  
damp  
location

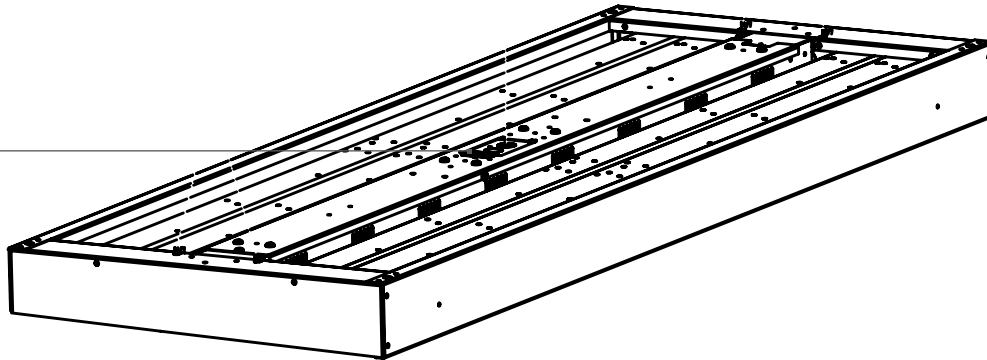
  
made  
to order

  
C US

# L1FB

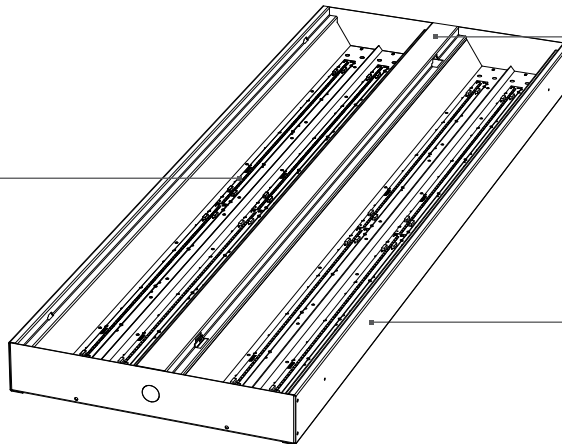
LINEAR LED  
HIGH BAY

Easy  
driver  
access



Housing made  
with 22-gauge  
rolled steel  
with enamel  
powder coating

4 or 6 rows of high  
quality LED chips



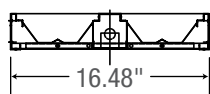
Specular reflectors  
with high reflectance

Aluminum and clear polycarbonate  
reflectors and wireguards available

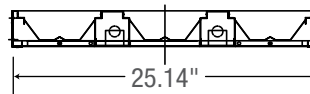
- 6' of power cable and dimming wires
- 6 lumen packages available

## DIMENSIONS

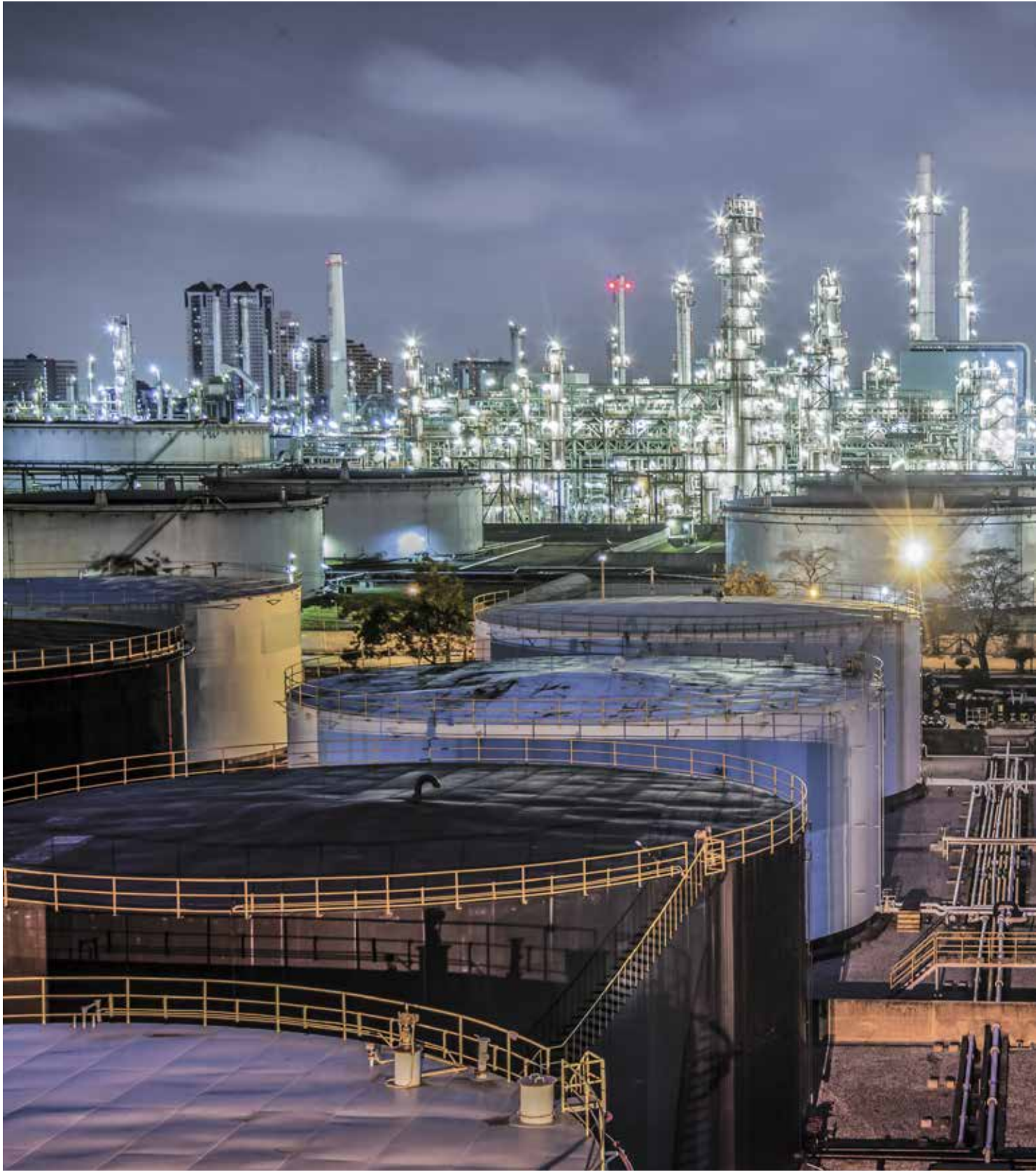
S1A, S2A, S3A, S4A



S5A, S6A















Printed in Canada.

© 2022 STANDARD Products Inc. All Rights Reserved.

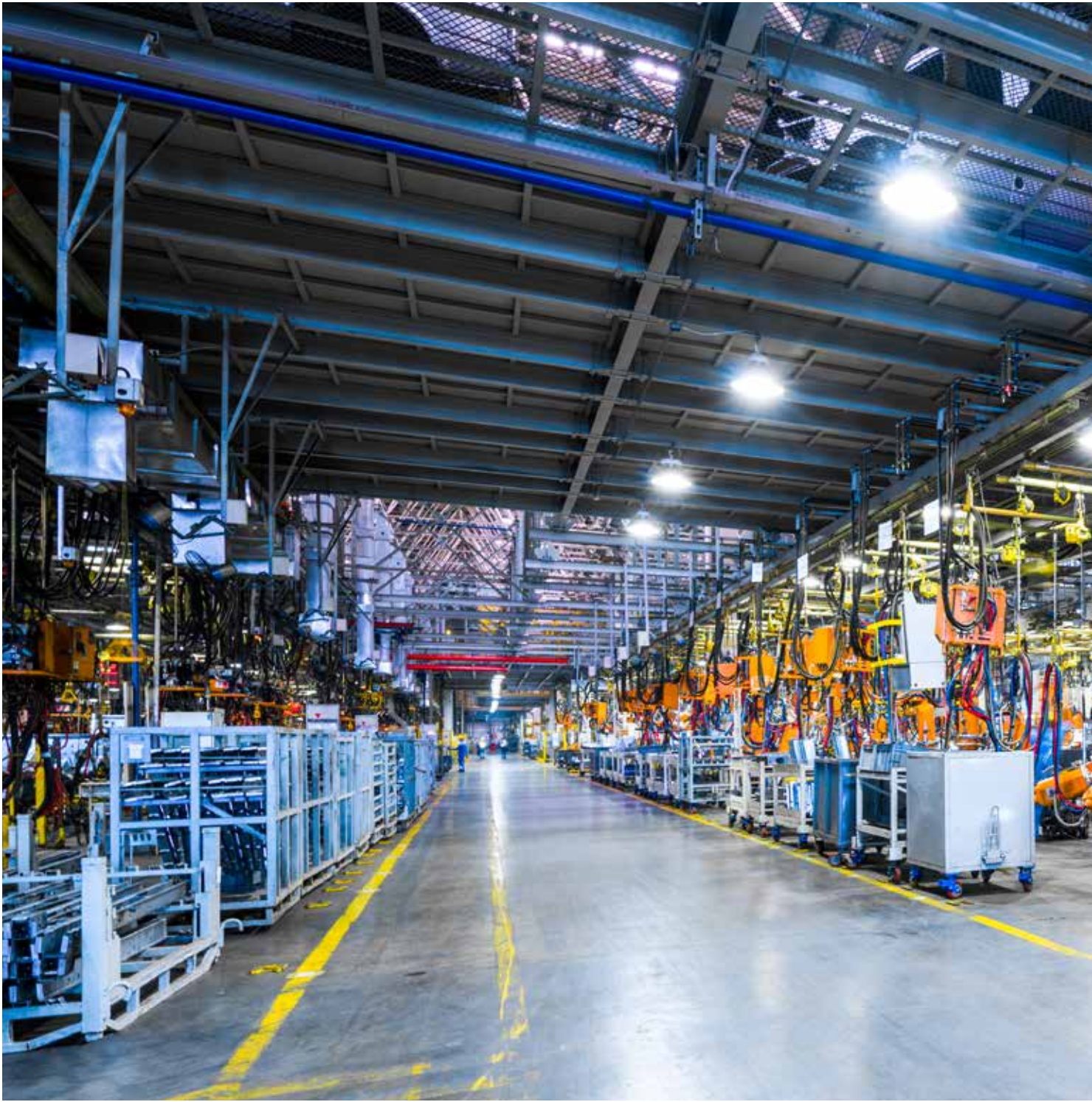
Data is based upon tests performed in a controlled environment.  
Actual performance can vary depending on operating conditions.  
All products are subject to change or may be discontinued any time without notice.

For the latest version, please refer to our website.

[www.standardpro.com](http://www.standardpro.com)



**STANPRO**



**STANPRO**

[www.standardpro.com](http://www.standardpro.com)