



INDOOR LUMINAIRES QUICK SHIP



STANPRO



CONTENTS

4 DOWNLIGHT

LED Retro / LED LPDL™ / LED LPDL™ CCT Selectables / LED Presto / VIVIO / LED Gimbal / LED Gimbal HO / LED Lumeina™ / LED Commercial / LED Universal Commercial CDU / LED Veloce™ / Traditional Recessed

29 LED CEILING

Traditional / Shade / Single Ring / Double Ring / Edgelit / Cirka / Cirka CCT Selectable / CCT Selectable Disk Light / Tri-Level / LED Motion Sensor Edgelit / LED Motion Sensor Disk Light

42 TRACK SYSTEMS

TL / TLL / Traditional Track Heads

47 LED RECESSED COMMERCIAL LUMINAIRE

Panel / Center Basket / Recessed Troffer / Center Basket Retrofit Kit

55 LED LINEAR

LED Suspended / T-grid / Strip / Slim Strip / Tri-Level Strip / Wrap / Vapor Tight / Tri-proof

73 LED HIGH BAY

Bell shape / Round LED white / Round Economic and High Performing Luminaire / Round Economic and High Performing High Bay / LED Eco

LED Retro

These LED Retro downlights offer a simple and economical option in any traditional downlight retrofit application. Easily replace the original lamp and trim with this LED solution and save on energy consumption and maintenance costs. With an E26 socket adaptor, this luminaire will fit in most traditional 4", 5" and 6" housings, and will be installed in no time.

- Perfect for both indoor and outdoor applications
- High CRI of 90 for great light output
- Regressed look to reduce glare

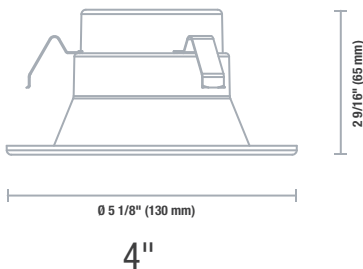


4"

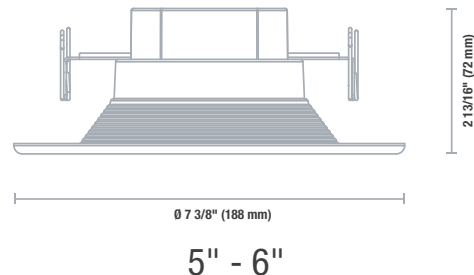


5" - 6"

Order code	Model number	Watts (W)	Volts (VAC)	Color temp. (K)	Lumen output (lm)	CRI	Life L70 (hrs)	Beam angle (°)	Finish	Traditional equivalent (W)	Case qty (master)
4" Round											
66090	RDL4/10W/27K/WH/BAF/STD	10	120	2 700	681	90	50 000	100	White	50	20
66091	RDL4/10W/30K/WH/BAF/STD	10	120	3 000	712	90	50 000	100	White	50	20
66092	RDL4/10W/40K/WH/BAF/STD	10	120	4 000	713	90	50 000	100	White	50	20
5" - 6" Round											
66093 ¹	RDL6/12W/27K/WH/BAF/STD	12	120	2 700	852	90	50 000	100	White	65	10
66094 ¹	RDL6/12W/30K/WH/BAF/STD	12	120	3 000	877	90	50 000	100	White	65	10
66095 ¹	RDL6/12W/40K/WH/BAF/STD	12	120	4 000	892	90	50 000	100	White	65	10



4"



5" - 6"

Lumen values are derived from photometric testing
 For a complete list of compatible dimmers and ENERGY STAR qualified products, please visit www.standardpro.com
¹ 6" Retro downlight can be adjusted and installed in 5" or 6" traditional housings
² This product complies with UL1598C standard for LED luminaire Retrofit kits

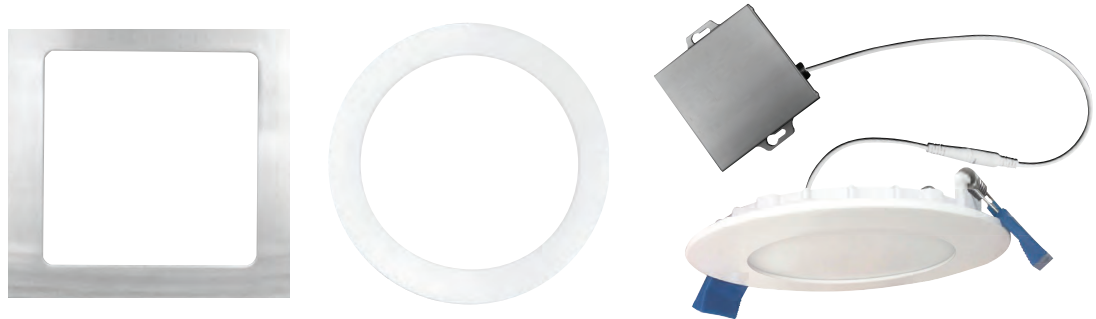


2



LED LPDL™

LPDL™ (Low Profile Downlight) gives you all the flexibility you need during installation, especially in confined areas or when facing constraints such as wood beams, ceiling joist or air ducts. The driver is mounted separately from the light source which allows the luminaire profile to be less than 1" thick!



(Meets UL standard for branch connection)

S1 - Small junction box

Order code	Model number	Watts (W)	Volts (VAC)	Color temp. (K)	Lumen output (lm)	CRI	Life L70 (hrs)	Beam angle (°)	Finish	Traditional equivalent (W)	Case qty (master)
3" Round											
65852	LPDL3/RND/7W/30K/BN/STD	7	120	3 000	480	80	50 000	110	Brushed nickel	50	24
65853	LPDL3/RND/7W/40K/WH/STD	7	120	4 000	500	80	50 000	110	White	50	24
3" Round Warm-Dim											
65859	LPDL3/RND/7W/30-22K/BN/W-DIM/STD	7	120	3 000-2 200	400	80	50 000	110	Brushed nickel	50	24
3" Square											
65855	LPDL3/SQR/7W/30K/WH/STD	7	120	3 000	430	80	50 000	110	White	50	24
65856	LPDL3/SQR/7W/30K/BN/STD	7	120	3 000	430	80	50 000	110	Brushed nickel	50	24
65857	LPDL3/SQR/7W/40K/WH/STD	7	120	4 000	450	80	50 000	110	White	50	24
4" Round											
63879	LPDL4/RND/9W/27K/WH/STD	9	120	2 700	520	80	50 000	120	White	50	24
63884	LPDL4/RND/9W/30K/BN/STD	9	120	3 000	550	80	50 000	120	Brushed nickel	50	24
63887	LPDL4/RND/9W/40K/BN/STD	9	120	4 000	580	80	50 000	120	Brushed nickel	50	24
6" Round											
63869	LPDL6/RND/12W/40K/BN/STD	12	120	4 000	800	80	50 000	120	Brushed nickel	60	24

Lumen values are derived from photometric testing. For a complete list of compatible dimmers and ENERGY STAR qualified products, please visit www.standardpro.com



LED LPDL™



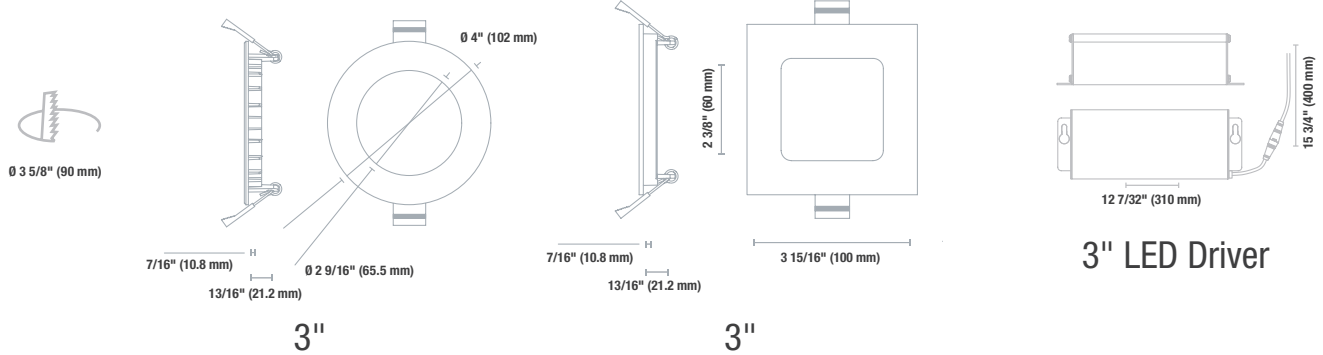
S2 - Large junction box

(Meets both UL and CEC standards for branch connection)

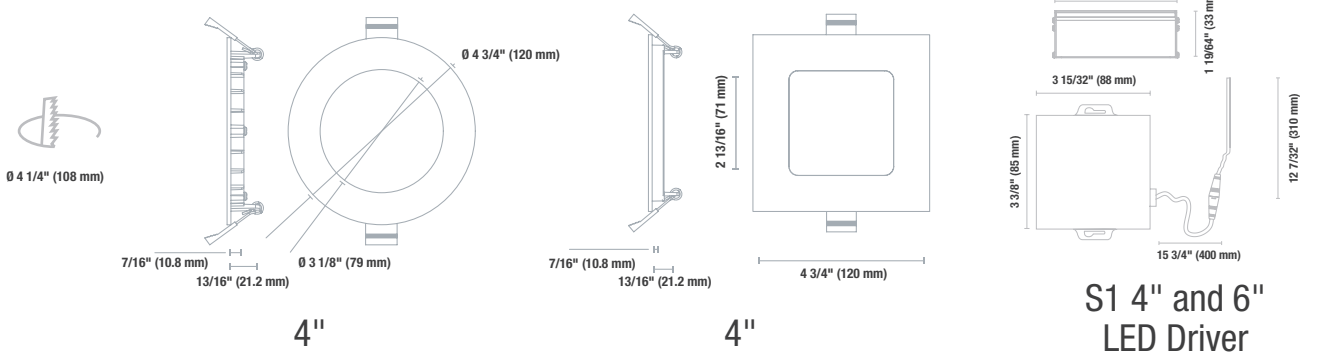
Order code	Model number	Watts (W)	Volts (VAC)	Color temp. (K)	Lumen output (lm)	CRI	Life L70 (hrs)	Beam angle (°)	Finish	Traditional equivalent (W)	Case qty (master)
4" Round Wet Location											
66220	LPDL4/RND/9W/30K/BN/WET/STD	9	120	3 000	550	80	50 000	120	Brushed nickel	50	24
66221	LPDL4/RND/9W/40K/BN/WET/STD	9	120	4 000	580	80	50 000	120	Brushed nickel	50	24
4" Round FT6 cable for plenum											
66960	LPDL4/S2/FT6/RND/9W/30K/WH/STD	9	120	3 000	550	80	50 000	120	White	50	24
66961	LPDL4/S2/FT6/RND/9W/40K/WH/STD	9	120	4 000	580	80	50 000	120	White	50	24
4" Round											
65936	LPDL4/S2/RND/9W/27K/WH/STD	9	120	2 700	520	80	50 000	120	White	50	24
65938	LPDL4/S2/RND/9W/30K/BN/STD	9	120	3 000	550	80	50 000	120	Brushed nickel	50	24
65941	LPDL4/S2/RND/9W/40K/BN/STD	9	120	4 000	580	80	50 000	120	Brushed nickel	50	24
4" Square											
65861	LPDL4/SQR/S2/9W/30K/BN/STD	9	120	3 000	550	80	50 000	120	Brushed nickel	50	24
6" Round Wet Location											
65726	LPDL6/RND/12W/30K/WH/WET/STD	12	120	3 000	780	80	50 000	120	White	60	24
65727	LPDL6/RND/12W/40K/WH/WET/STD	12	120	4 000	800	80	50 000	120	White	60	24
6" Round FT6 cable for plenum											
66963	LPDL6/S2/FT6/RND/12W/40K/WH/STD	12	120	4 000	800	80	50 000	120	White	60	24
6" Round											
65949	LPDL6/S2/RND/12W/30K/BN/STD	12	120	3 000	780	80	50 000	120	Brushed nickel	60	24
65947	LPDL6/S2/RND/12W/40K/WH/STD	12	120	4 000	800	80	50 000	120	White	60	24
65950	LPDL6/S2/RND/12W/40K/BN/STD	12	120	4 000	800	80	50 000	120	Brushed nickel	60	24
65948	LPDL6/S2/RND/12W/50K/WH/STD	12	120	5 000	820	80	50 000	120	White	60	24
6" Square											
65864	LPDL6/SQR/S2/12W/30K/WH/STD	12	120	3 000	780	80	50 000	120	White	60	24



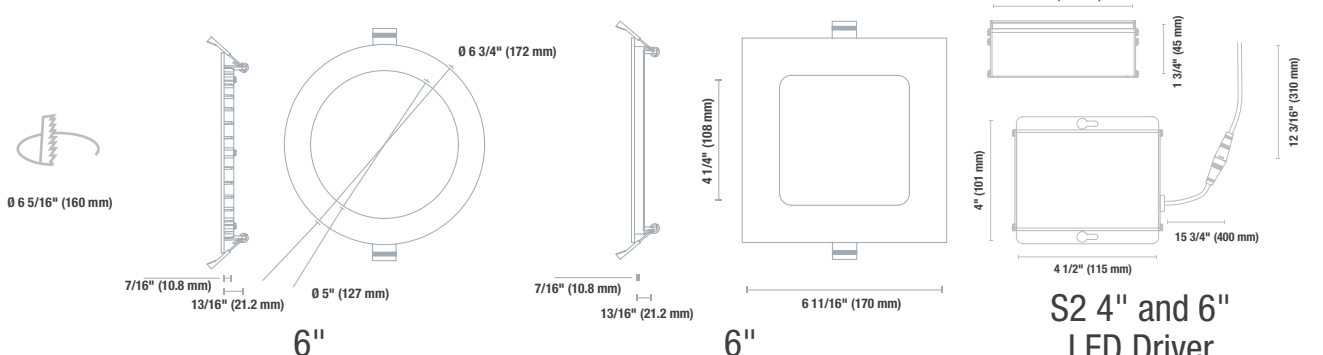
Dimensions



3" LED Driver



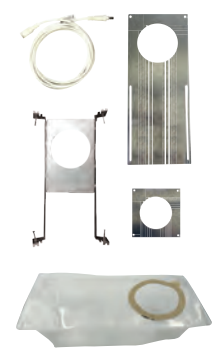
S1 4" and 6" LED Driver



S2 4" and 6" LED Driver

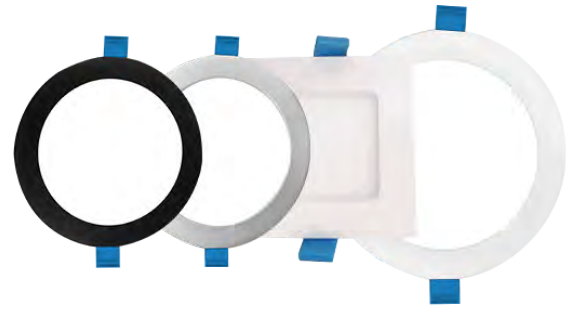
Accessories

Order code	Model number	Opening diameter (in.)	Type	Case qty (master)
66049	ACC/MPLATE/3.625IN/SQR/STD	3 5/8	Square mounting plate	96
66056	ACC/MPLATE/3.625IN/ADJ/STD	3 5/8	Adjustable mounting plate	96
66142	ACC/3/VAPOR BARRIER/STD	3 5/8	Vapor barrier extender	50
66820	ACC/MPLATE/3.625IN/HANG.BARS/STD	3 5/8	Mounting plate with hanger bars	25
66051	ACC/MPLATE/4.25IN/SQR/STD	4 1/4	Square mounting plate	100
66058	ACC/MPLATE/4.25IN/ADJ/STD	4 1/4	Adjustable mounting plate	50
66821	ACC/MPLATE/4.25IN/HANG.BARS/STD	4 1/4	Mounting plate with hanger bars	25
66143	ACC/4/VAPOR BARRIER/STD	4 1/4	Vapor barrier extender	50
66822	ACC/MPLATE/6.25IN/HANG.BARS/STD	6 1/4	Mounting plate with hanger bars	25
64263	ACC/MPLATE/6.25IN/SQR/STD	6 1/4	Square mounting plate	96
64921	ACC/MPLATE/6.25IN/ADJ/STD	6 1/4	Adjustable mounting plate	24
66144	ACC/6/VAPOR BARRIER/STD	6 7/32	Vapor barrier extender	50
64264	LPDL/ACC/6FT/EXTCABLE/STD	-	6' extension cord	96
66964	LPDL/ACC/6FT/EXTCABLE/FT6/STD	-	6' FT6 extension cord	96



Lumen values are derived from photometric testing
For a complete list of compatible dimmers and ENERGY STAR qualified products, please visit www.standardpro.com

LED LPDL™ CCT Selectables



LPDL™ gives you all the flexibility you need during installation, especially in confined area or when facing constraints such as wood beams, ceiling joist or air ducts. The driver is mounted separately from the light source which allows the luminaire profile to be less than 1" thick! It is the perfect all in one solution with integrated 5 color temperature selection.

Order code	Model number	Watts (W)	Volts (VAC)	Color temp. (K)	Lumen output (lm)	Efficacy (lm/W)	CRI	Life L70 (hrs) ³	Beam angle (°)	Cable rating	Finish	Power factor	THD (%)	Traditional equivalent (W)	Master case qty
3" Round															
68731	LPDL3/RND/7W/5CCT/WH	7	120	2700/3000/3500/4000/5000	420	60	80+	50 000	110	FT4	White	>0.9	<20	60	24
4" Round															
67798	LPDL4/RND/9W/5CCT/WH/STD	9	120	2700/3000/3500/4000/5000	550	61	80+	50 000	110	FT4	White	>0.9	<20	60	24
67799	LPDL4/RND/9W/5CCT/BN/STD	9	120	2700/3000/3500/4000/5000	550	61	80+	50 000	110	FT4	Brushed Nickel	>0.9	<20	60	24
67800	LPDL4/RND/9W/5CCT/BK/STD	9	120	2700/3000/3500/4000/5000	550	61	80+	50 000	110	FT4	Black	>0.9	<20	60	24
68732	LPDL4/RND/9W/5CCT/WH/WET	9	120	2700/3000/3500/4000/5000	550	61	80+	50 000	110	FT4	White	>0.9	<20	60	24
4" Square															
68733	LPDL4/SQR/9W/5CCT/WH	9	120	2700/3000/3500/4000/5000	550	61	80+	50 000	110	FT4	White	>0.9	<20	60	24
6" Round															
67801	LPDL6/RND/12W/5CCT/WH/STD	12	120	2700/3000/3500/4000/5000	800	67	80+	50 000	110	FT4	White	>0.9	<20	60	24
68734	LPDL6/RND/12W/5CCT/BK	12	120	2700/3000/3500/4000/5000	800	67	80+	50 000	110	FT4	Black	>0.9	<20	60	24

Accessories

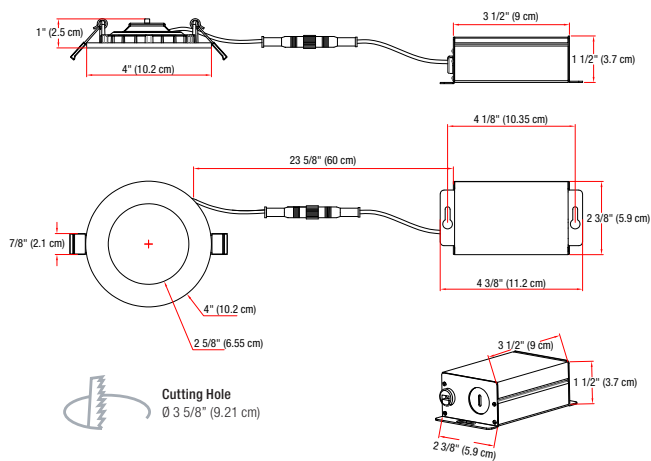
Order code	Model number	Type	Cutting diameter (in)	Master case qty
66056	ACC/MPLATE/3.625IN/ADJ/STD	Adjustable mounting plate	3 5/8	96
66049	ACC/MPLATE/3.625IN/SQR/STD	Square mounting plate	3 5/8	96
66142	ACC/3/VAPOR BARRIER/STD	Vapor barrier extender	3 5/8	50
66820	ACC/MPLATE/3.625IN/HANG.BARS/STD	Mounting plate with hanger bars	3 5/8	25
66051	ACC/MPLATE/4.25/SQR/STD	Square mounting plate	4 1/4	100
66058	ACC/MPLATE/4.25/ADJ/STD	Adjustable mounting plate	4 1/4	24
66821	ACC/MPLATE/4.25IN/HANG.BARS/STD	Mounting plate with hanger bars	4 1/4	25
66143	ACC/4/VAPOR BARRIER/STD	Vapor barrier extender	4	50
66822	ACC/MPLATE/6.25IN/HANG.BARS/STD	Mounting plate with hanger bars	6 1/4	25
64263	ACC/MPLATE/6.25IN/SQR/STD	Square mounting plate	6 1/4	96
64921	ACC/MPLATE/6.25IN/ADJ/STD	Adjustable mounting plate	6 1/4	24
66144	ACC/6/VAPOR BARRIER/STD	Vapor barrier extender	6 2/9	50
64264	LPDL/ACC/6FT/EXTCABLE/STD	6' Extension cord	-	96

¹ Includes brackets and screws.

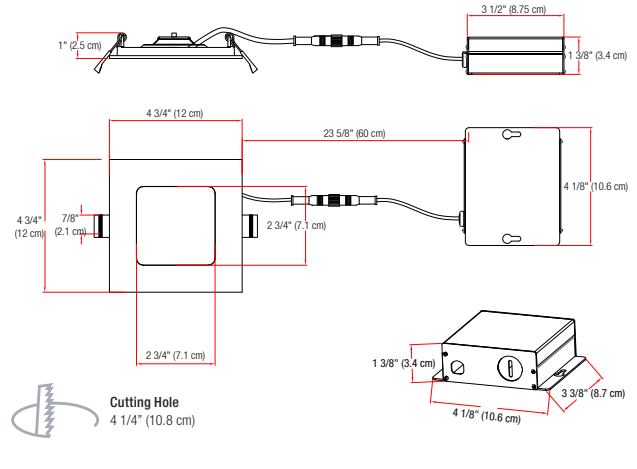
LED LPDL™ CCT Selectables

Dimensions

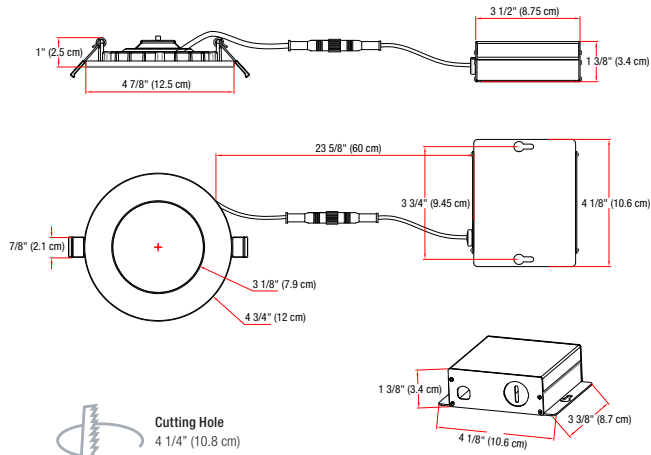
3" Round



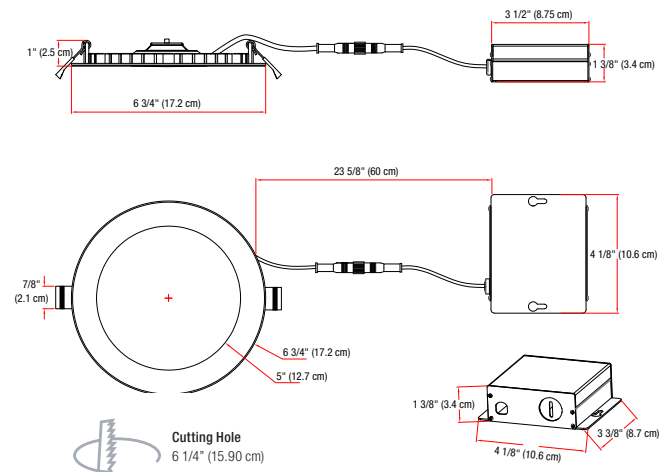
4" Square



4" Round



6" Round



Lumen values are derived from photometric testing
For a complete list of compatible dimmers and ENERGY STAR
qualified products, please visit www.standardpro.com

¹ Only with 68732 - LPDL4/RND/9W/5CC1/WH/WET



dimmable damp location



wet location

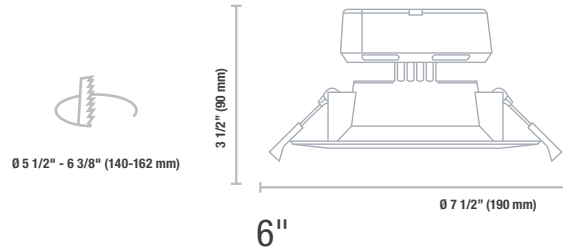
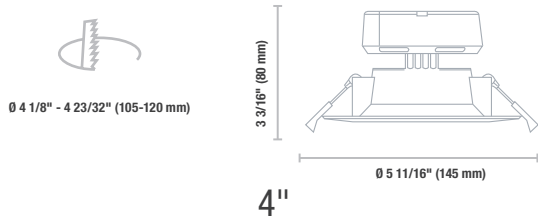


LED Presto

Presto LED downlight is an all-in-one product that will fit seamlessly into all residential lighting applications. The base model is complete with a white baffle finish, but this line also offers trims made of stamped metal that enhance the look of the luminaire, creating a sophisticated look tailored to your decor.

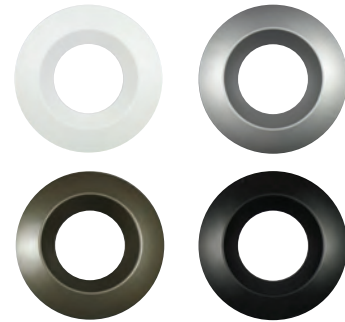


Order code	Model number	Watts (W)	Volts (VAC)	Color temp. (K)	Lumen output (lm)	CRI	Life L70 (hrs)	Beam angle (°)	Finish	Traditional equivalent (W)	Case qty (master)
4" Rond											
64326	LED/PRESTO/DL4ID/7W/27K/STD	7	120	2 700	590	81	40 000	107	White	50	6
64327	LED/PRESTO/DL4ID/7W/30K/STD	7	120	3 000	630	82	40 000	108	White	50	6
64328	LED/PRESTO/DL4ID/7W/40K/STD	7	120	4 000	638	83	40 000	108	White	50	6
6" Rond											
64329	LED/PRESTO/DL6ID/9W/30K/STD	9	120	3 000	805	82	40 000	108	White	65	6
64330	LED/PRESTO/DL6ID/9W/40K/STD	9	120	4 000	835	83	40 000	108	White	65	6



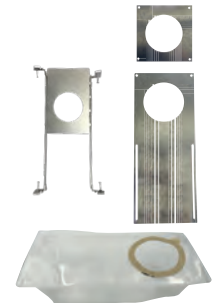
Accessories - Trims

Order code	Model number	Finish	Type	Case qty (master)
4" Rond				
64339	LED/PRESTO/ACC.TRIMS/DL4ID/WHT/STD	White	Smooth	120
64341	LED/PRESTO/ACC.TRIMS/DL4ID/SLV/STD	Silver	Smooth	120
64342	LED/PRESTO/ACC.TRIMS/DL4ID/BRZ/STD	Bronze	Smooth	120
6" Rond				
64343	LED/PRESTO/ACC.TRIMS/DL6ID/WHT/STD	White	Smooth	120
64346	LED/PRESTO/ACC.TRIMS/DL6ID/BLK/STD	Black	Smooth	120
64347	LED/PRESTO/ACC.TRIMS/DL6ID/SLV/STD	Silver	Smooth	120



Accessories

Order code	Model number	Opening diameter (in.)	Type	Case qty (master)
66051	ACC/MPLATE/4.25IN/SQR/STD	4 ¼	Square mounting plate	100
66058	ACC/MPLATE/4.25IN/ADJ/STD	4 ¼	Adjustable mounting plate	50
66821	ACC/MPLATE/4.25IN/HANG.BARS/STD	4 ¼	Mounting plate with hanger bars	25
66143	ACC/4/VAPOR BARRIER/STD	4 ¼	Vapor barrier extender	50
66822	ACC/MPLATE/6.25IN/HANG.BARS/STD	6 ¼	Mounting plate with hanger bars	25
64263	ACC/MPLATE/6.25IN/SQR/STD	6 ¼	Square mounting plate	96
64921	ACC/MPLATE/6.25IN/ADJ/STD	6 ¼	Adjustable mounting plate	24
66144	ACC/6/VAPOR BARRIER/STD	6 7/32	Vapor barrier extender	50



Lumen values are derived from photometric testing. For a complete list of compatible dimmers and ENERGY STAR qualified products, please visit www.standardpro.com

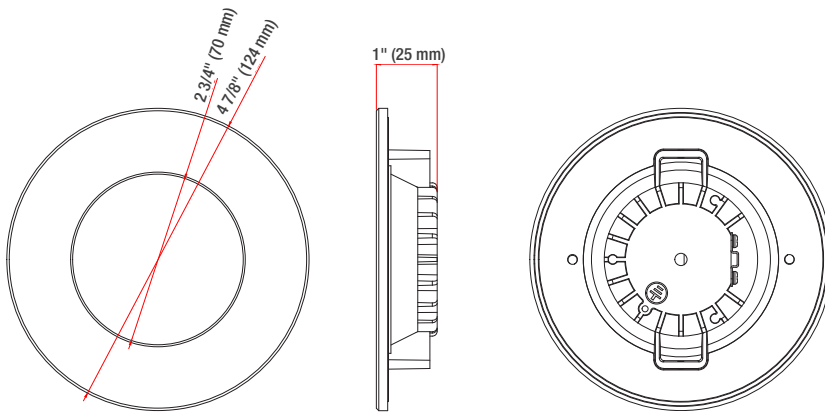


LED Vivio



The Vivio Downlight is a 4" fixture offered in white and can be modified at any time with a magnetic black trim. Same look as a Low Profile Downlight, but can be dual installation; either new construction or in a retrofit application. A simple and elegant look that can adapt to any type of application.

Order code	Model number	Watts (W)	Volts (VAC)	Color temp. (K) ²	Lumen output (lm) ³	Efficiency (lm/W)	CRI	Life L70 (hrs) ⁴	Beam angle (°)	Finish	Power factor	THD (%)	Case qty (master)
4" Round													
68031	VDL4R-08A/5C	8	120	2 700 / 3 000 / 3 500 / 4 000 / 5 000	650	81	80+	50 000	110	White	>0.9	<20	24



Accessories

Order code	Model number	Type	Finish / color	Compatible with	Case qty (master)
68032	VDL4R-TRIMBK	Magnetic Trim	Black	68031 VDL4R-08A/5C	96



Included in the box



Lumen values are derived from photometric testing. For a complete list of compatible dimmers and ENERGY STAR qualified products, please visit www.standardpro.com



LED Gimbal

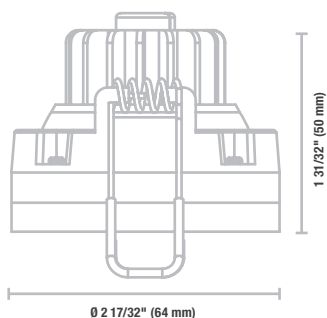


LED Gimbal Downlights are easy to install and allow you to direct the light where needed! The interchangeable trims offered in a variety of shapes, sizes and finishes, give you many options to choose from. Whether in new construction or in retrofit applications, the module and trim combination will fit any application!

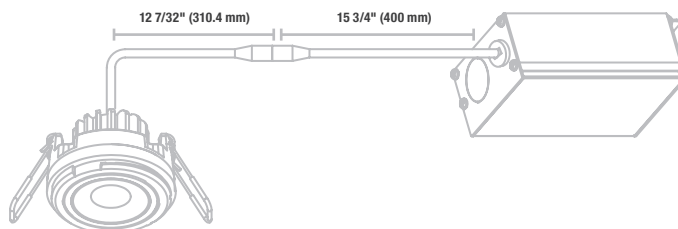
- Small aperture designed for a sleek and glare free result
- Light output comparable to a PAR20 halogen lamp
- 24° tilt and 360° module rotation to light any direction



Order code	Model number	Watts (W)	Volts (VAC)	Color temp. (K)	Lumen output (lm)	CRI	Life L70 (hrs)	Beam angle (°)	CBCP (cd)	Finish	Traditional equivalent (W)	Case qty (master)
Modules												
65420	LED/DL/GIMBAL/MOD/7W/30K/WH/STD	7	120	3 000	600	80	36 000	40	1 100	White	50	18
65422	LED/DL/GIMBAL/MOD/7W/30K/BN/STD	7	120	3 000	600	80	36 000	40	1 100	Brushed nickel	50	18
65421	LED/DL/GIMBAL/MOD/7W/40K/WH/STD	7	120	4 000	620	80	36 000	40	1 200	White	50	18
65423	LED/DL/GIMBAL/MOD/7W/40K/BN/STD	7	120	4 000	620	80	36 000	40	1 200	Brushed nickel	50	18
Warm Dim Modules												
65981	LED/DL/GIMBAL/MOD/7W/30-22K/WH/STD	7	120	3 000-2 200	470	90	30 000	40	800	White	50	18
65982	LED/DL/GIMBAL/MOD/7W/30-22K/BN/STD	7	120	3 000-2 200	470	90	30 000	40	800	Brushed nickel	50	18



Module



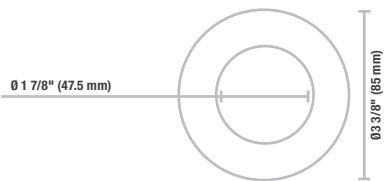
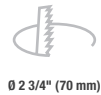
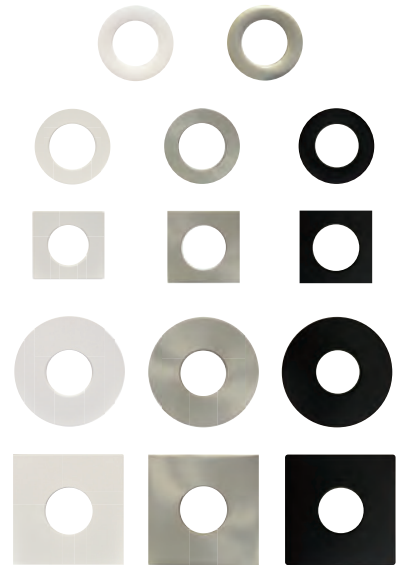
LED Module and Driver

Lumen values are derived from photometric testing. For a complete list of compatible dimmers and ENERGY STAR qualified products, please visit www.standardpro.com

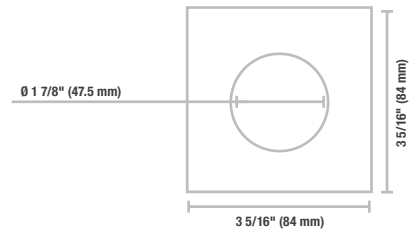


Trims

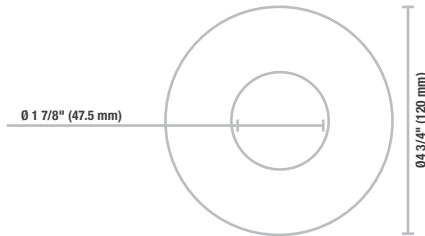
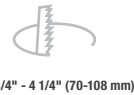
Order code	Model number	Finish / color	Type	Case qty (master)
3" Round				
65432	LED/DL/GIMBAL/3IN/TRIM/RND/FLAT/WH/STD	White	Flat	96
65433	LED/DL/GIMBAL/3IN/TRIM/RND/FLAT/BN/STD	Brushed nickel	Flat	96
66230	LED/DL/GIMBAL/3IN/TRIM/RND/FLAT/BK/STD	Black	Flat	96
65450	LED/DL/GIMBAL/3IN/TRIM/RND/CURVED/WH/STD	White	Curved	96
65451	LED/DL/GIMBAL/3IN/TRIM/RND/CURVED/BN/STD	Brushed nickel	Curved	96
3" Square				
65434	LED/DL/GIMBAL/3IN/TRIM/SQR/FLAT/WH/STD	White	Flat	96
65435	LED/DL/GIMBAL/3IN/TRIM/SQR/FLAT/BN/STD	Brushed nickel	Flat	96
66231	LED/DL/GIMBAL/3IN/TRIM/SQR/FLAT/BK/STD	Black	Flat	96
4" Round				
65436	LED/DL/GIMBAL/4IN/TRIM/RND/FLAT/WH/STD	White	Flat	96
65437	LED/DL/GIMBAL/4IN/TRIM/RND/FLAT/BN/STD	Brushed nickel	Flat	96
66232	LED/DL/GIMBAL/4IN/TRIM/RND/FLAT/BK/STD	Black	Flat	96
4" Square				
65438	LED/DL/GIMBAL/4IN/TRIM/SQR/FLAT/WH/STD	White	Flat	96
65439	LED/DL/GIMBAL/4IN/TRIM/SQR/FLAT/BN/STD	Brushed nickel	Flat	96
66233	LED/DL/GIMBAL/4IN/TRIM/SQR/FLAT/BK/STD	Black	Flat	96



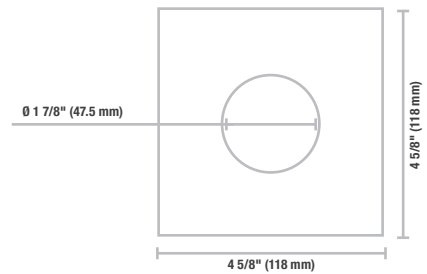
3" Trim



3" Trim



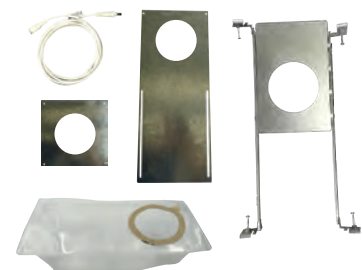
4" Trim



4" Trim

Accessories

Order code	Model number	Opening diameter (in)	Type	Case qty (master)
66020	ACC/MPLATE/2.75IN/SQR/STD	2 3/4	Square mounting plate	96
66021	ACC/MPLATE/2.75IN/ADJ/STD	2 3/4	Adjustable mounting plate	24
66819	ACC/MPLATE/2.75IN/HANG.BARS/STD	2 3/4	Mounting plate with hanger bars	25
64264	LPDL/ACC/6FT/EXTCABLE/STD	-	6' extension cord	96
66142	ACC/3/VAPOR BARRIER/STD	3 5/8	Vapor barrier extender	50



LED Gimbal HO



The LED Gimbal High Output downlight combines a sleek design with a small aperture without any compromise to the light output. With up to 950 lumens and a CRI of 90, this small downlight provides an outstanding performance that will suit both residential and commercial applications. This downlight is also available in bulk packs of 10 units, perfect for contractor projects.

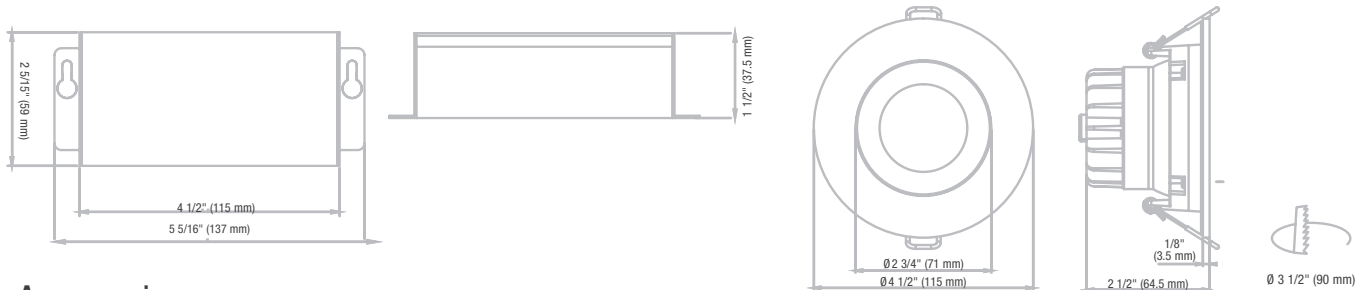
Combined LED Module and LED Driver

Order code	Model number	Watts (W)	Volts (VAC)	Color temp. (K)	Lumen output (lm)	Efficiency (lm/W)	CRI	Life L70 (hrs)	Tested hours LM-80 (hrs)	Beam angle (°)	Cable rating	Finish	Power factor	THD (%)	Case qty (master)
67809	DL/GIMBAL/RND/12W/30K/WH/STD	12	120	3 000	920	77	90+	50 000	10 000	40	FT6	White	>0.9	<20	24
67810	DL/GIMBAL/RND/12W/30K/BN/STD	12	120	3 000	920	77	90+	50 000	10 000	40	FT6	Brushed Nickel	>0.9	<20	24
67811	DL/GIMBAL/RND/12W/30K/BK/STD	12	120	3 000	920	77	90+	50 000	10 000	40	FT6	Black	>0.9	<20	24
67812	DL/GIMBAL/RND/12W/40K/WH/STD	12	120	4 000	950	79	90+	50 000	10 000	40	FT6	White	>0.9	<20	24
Warm Dim															
67813	DL/GIMBAL/RND/12W/30-22K/WH/STD	12	120	3 000-2 200	660	55	90+	50 000	6 000	40	FT6	White	>0.9	<20	24

Bulk pack of 10 units

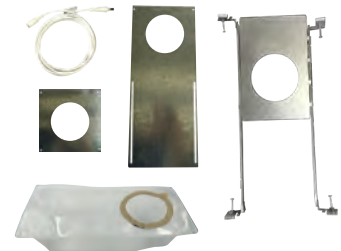
Order code	Model number	Watts (W)	Volts (VAC)	Color temp. (K)	Lumen output (lm)	Efficiency (lm/W)	CRI	Life L70 (hrs)	Tested hours LM-80 (hrs)	Beam angle (°)	Cable rating	Finish	Power factor	THD (%)	Pack qty
LED Module															
68208 ¹	DL/GIMBAL/RND/12W/30K/WH MODULE 10P	12	120	3 000	920	77	90+	50 000	10 000	40	FT6	White	>0.9	<20	10
LED Driver															
68209 ¹	GMB-DVR-12W 10P	12	120	-	920	77	90+	50 000	-	-	-	-	>0.9	<20	10

¹ 68208 and 68209 have to be purchased together and cannot be used separately.



Accessories

Order code	Model number	Type	Opening diameter (in)	Case qty (master)
66049	ACC/MPLATE/3.625IN/SQR/STD	Square mounting plate	3 5/8	96
66056	ACC/MPLATE/3.625IN/ADJ/STD	Adjustable mounting plate	3 5/8	96
66820	ACC/MPLATE/3.625IN/HANG.BARS/STD	Mounting plate with hanger bars	3 5/8	25
66964	LPDL/ACC/6FT/EXTCABLE/FT6/STD	6' FT6 Extension cord	-	96
66142	ACC/3/VAPOR BARRIER/STD	Vapor barrier extender	3 5/8	50



Lumen values are derived from photometric testing
 For a complete list of compatible dimmers and ENERGY STAR qualified products, please visit www.standardpro.com



LED Lumeina™

Lumeina™ Series is the perfect combination of state of the art technology and aesthetic design. The quality of light of this series is comparable to that of a halogen lamp offering crisp, directional light which perfectly highlights surroundings. It offers a CRI of 90 and glare-control reflector design.

This small LED module provides higher lumen performance than an LED lamp and is very easy to install. Without the need of a housing, it is installed directly in the ceiling using torsion springs and most models are IC rated. The LED module is fitted with an external dimmable driver.

Lumeina offers style, discretion and flexibility with a wide selection of interchangeable trims and accessories.

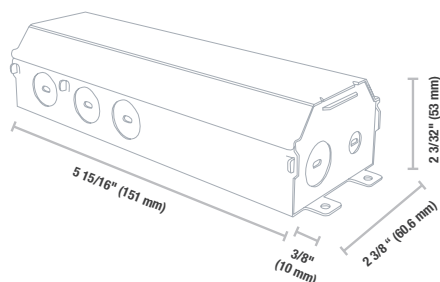


LED Modules

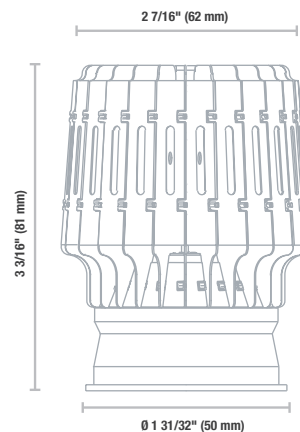
Order code	Model number	Watts (W)	Volts (VAC)	Color temp. (K)	Lumen output (lm)	CRI	Life L70 (hrs)	Beam angle (°)	CBCP (cd)	Traditional equivalent MR16 (W)	Case qty (master)
IC (can be used in insulated ceiling)											
66695	LUMEINA/MOD/IC/6W/27K/22/STD	6	120	2 700	750	90	50 000	22	2 998	50	20
66696	LUMEINA/MOD/IC/6W/27K/36/STD	6	120	2 700	750	90	50 000	36	1 731	50	20
66697	LUMEINA/MOD/IC/6W/27K/60/STD	6	120	2 700	750	90	50 000	60	1 039	50	20
64706	LUMEINA/MOD/IC/6W/30K/22/STD	6	120	3 000	750	90	50 000	22	3 051	50	20
64707	LUMEINA/MOD/IC/6W/30K/36/STD	6	120	3 000	750	90	50 000	36	1 763	50	20
64708	LUMEINA/MOD/IC/6W/30K/60/STD	6	120	3 000	750	90	50 000	60	1 078	50	20
66954	LUMEINA/MOD/IC/6W/35K/22/STD	6	120	3 500	750	92	50 000	22	3 533	50	20
66955	LUMEINA/MOD/IC/6W/35K/36/STD	6	120	3 500	750	92	50 000	36	1 843	50	20
66956	LUMEINA/MOD/IC/6W/35K/60/STD	6	120	3 500	750	92	50 000	60	1 190	50	20
66957	LUMEINA/MOD/IC/6W/40K/22/STD	6	120	4 000	750	92	50 000	22	3 558	50	20
66958	LUMEINA/MOD/IC/6W/40K/36/STD	6	120	4 000	750	91	50 000	36	1 867	50	20
66959	LUMEINA/MOD/IC/6W/40K/60/STD	6	120	4 000	750	91	50 000	60	1 121	50	20
Non-IC (not for use in insulated ceiling)											
64709	LUMEINA/MOD/9W/30K/22/STD	9	120	3 000	950	90	50 000	22	3 524	50	20
64710	LUMEINA/MOD/9W/30K/36/STD	9	120	3 000	950	90	50 000	36	2 121	50	20
64711	LUMEINA/MOD/9W/30K/60/STD	9	120	3 000	950	90	50 000	60	1 305	50	20

LED Drivers

	System watts (W)	Max. load (W)	Input Volts (VAC)	Output volts (VDC)	Input current (mA)
Lumeina 6 W	9	9	120	30-38	200
Lumeina 9 W	12	12	120	30-38	260



LED Driver
6 W and 9 W



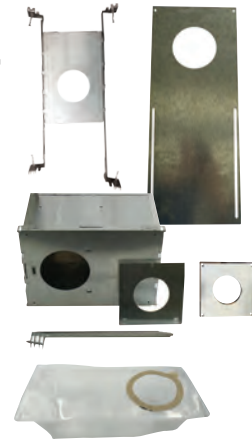
Lumeina™
module
6 W and 9 W

Lumen values are derived from photometric testing
For a complete list of compatible dimmers, please visit www.standardpro.com
Lumeina 9 W can be used in insulated ceilings only when combined with the insulated box (62672)



Accessories

Order code	Model number	Opening diameter (in.)	Type	Case qty (master)
66020	ACC/MPLATE/2.75IN/SQR/STD	2 3/4	Square mounting plate	96
66021	ACC/MPLATE/2.75IN/ADJ/STD	2 3/4	Adjustable mounting plate	24
66819	ACC/MPLATE/2.75IN/HANG.BARS/STD	2 3/4	Mounting plate with hanger bars	25
66046	ACC/MPLATE/3IN/SQR/STD	3	Square mounting plate	96
66142	ACC/3/VAPOR BARRIER/STD	3 5/8	Vapor barrier extender	50
66048	ACC/MPLATE/3.5IN/SQR/STD	3 1/2	Square mounting plate	96
66047	ACC/MPLATE/3.25IN/SQR/STD	3 1/4	Square mounting plate	96
66054	ACC/MPLATE/3.25IN/ADJ/STD	3 1/4	Adjustable mounting plate	24
62673	ACC/MPLATE/3.25IN/HANG.BARS/STD	3 1/4	Mounting plate with hanger bars	20
66050	ACC/MPLATE/3.75IN/SQR/STD	3 3/4	Square mounting plate	96
62771	ACC/MPLATE/3.75IN/HANG.BARS/STD	3 3/4	Mounting plate with hanger bars	20
66143	ACC/4/VAPOR BARRIER/STD	4 1/4	Vapor barrier extender	50
62672	ACC/INSULATED BOX/3_4.5/STD	3 to 4 1/2	Insulated box with hanger bars	4



64731



64733



64735



64741



64742



64732



64734



64736



64737



64743

Trims

Order code	Model number	Type	Color	Diameter		Cutting diameter		Compatible mounting plate	Compatible vapor barrier	Case qty (master)
				(in.)	(mm)	(in.)	(mm)			
IC (can be used in insulated ceiling)										
64731	LUMEINA/TRIM/GMB.REC/WH/STD	Gimbal	White	3 17/32	90	3	77	66046	66142	50
64733	LUMEINA/TRIM/GMB.BAF/WH/STD	Gimbal	White	4 1/8	105	3 1/2	89	66048	66143	50
64735	LUMEINA/TRIM/SQR_RND/GMB/WH/SM/STD	Gimbal	White	4 7/16	113	3 1/8	80	62673, 66047, 66054	66143	50
64741	LUMEINA/TRIM/GMB.CURVED/WH/STD	Gimbal	White	4 11/32	110	3 3/4	95	66050, 62771	66143	50
64742	LUMEINA/TRIM/SQR_RND/GMB/WH/LRG/STD	Gimbal	White	4 7/16	113	3 3/4	95	66050, 62771	66143	50
64732 ^{1,2}	LUMEINA/TRIM/SWR/WH/STD	Shower	White	3 17/32	90	3	77	66046	66142	50
64734	LUMEINA/TRIM/D.BAF/WH/STD	Deep baffle	White	3 15/16	100	3 1/2	89	66048	66143	50
64736	LUMEINA/TRIM/SQR_RND/REC/WH/STD	Recessed	White	3 5/32	80	2 3/4	70	66020, 66021, 66819	66142	50
64737	LUMEINA/TRIM/CURVED/WH/STD	Curved	White	3 1/16	78	2 3/4	70	66020, 66021, 66819	66142	50

Non-IC Accessory (not for use in insulated ceiling)

64743	LUMEINA/TRIMEXT/STD	Trim extension	White	1 31/32	50	-	-	-	-	50
-------	---------------------	----------------	-------	---------	----	---	---	---	---	----

Order code	Model number	Type	Color	Diameter		Cutting diameter		Compatible mounting plate	Compatible vapor barrier	Case qty (master)
				Trim / Baffle	(in.)	(mm)	(in.)			

Non-IC (not for use in insulated ceiling)

64738	LUMEINA/TRIM/RFL_WH/STD	Reflector	White / Chrome	3 17/32	90	3	77	66046	66142	50
64739	LUMEINA/TRIM/RFL_SLV/STD	Reflector	Silver / Chrome	3 17/32	90	3	77	66046	66142	50
64740	LUMEINA/TRIM/RFL_BLK/STD	Reflector	Black / Chrome	3 17/32	90	3	77	66046	66142	50



airtight



dry location



²



warranty

LED Commercial

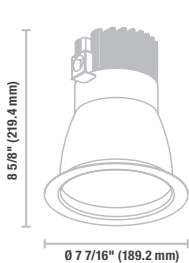
The commercial LCR downlight series is your best solution for an easy conversion of existing downlights to energy efficient LED. By using the LCR series to enhance your space, it provides a crisp light output while retaining a minimalist architectural look. A quick and simple retrofit solution for replacing existing CFL, HID, or incandescent luminaires without removing the existing frame.



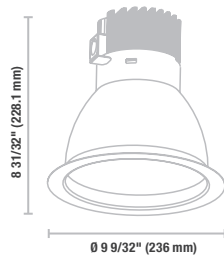
Order code	Model number	Watts	Volts	Color temp.	Lumen output	CRI	Life L70	Beam angle	Traditional equivalent (W)		Finish	Case qty (master)
		(W)	(VAC)	(K)	(lm)		(hrs)	(°)	CFL	HID		
6"												
64972	LCR/DL6/18W/35K/2/DD1/STD	18	120-277	3 500	1 611	80	54 000	52	36	-	Silver	1
64973	LCR/DL6/18W/40K/2/DD1/STD	18	120-277	4 000	1 624	80	54 000	52	36	-	Silver	1
64974	LCR/DL6/27W/35K/2/DD1/STD	27	120-277	3 500	2 348	80	54 000	52	57	-	Silver	1
64975	LCR/DL6/27W/40K/2/DD1/STD	27	120-277	4 000	2 366	80	54 000	52	57	-	Silver	1
8"												
64976	LCR/DL8/18W/35K/2/DD1/STD	18	120-277	3 500	1 653	80	54 000	52	36	-	Silver	1
64977	LCR/DL8/18W/40K/2/DD1/STD	18	120-277	4 000	1 678	80	54 000	52	36	-	Silver	1
64978	LCR/DL8/27W/35K/2/DD1/STD	27	120-277	3 500	2 433	80	54 000	52	57	-	Silver	1
64979	LCR/DL8/27W/40K/2/DD1/STD	27	120-277	4 000	2 471	80	54 000	52	57	-	Silver	1
64980	LCR/DL8/40W/40K/2/DD1/STD	40	120-277	4 000	3 587	80	54 000	52	-	100	Silver	1
10"												
64981	LCR/DL10/54W/40K/2/DD1/STD	54	120-277	4 000	4 884	80	54 000	52	-	150	Silver	1

Housing Compatibility

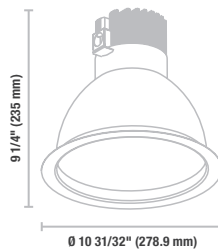
Model	Minimum housing dimensions (in.)	Maximum housing dimensions (in.)
6"	6	6 11/16
8"	7 25/32	8 7/8
10"	10	10 23/32



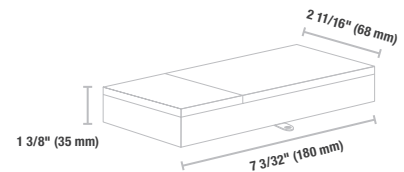
6"



8"



10"



LED Driver

Lumen values are derived from photometric testing. For a complete list of compatible dimmers and ENERGY STAR qualified products, please visit www.standardpro.com

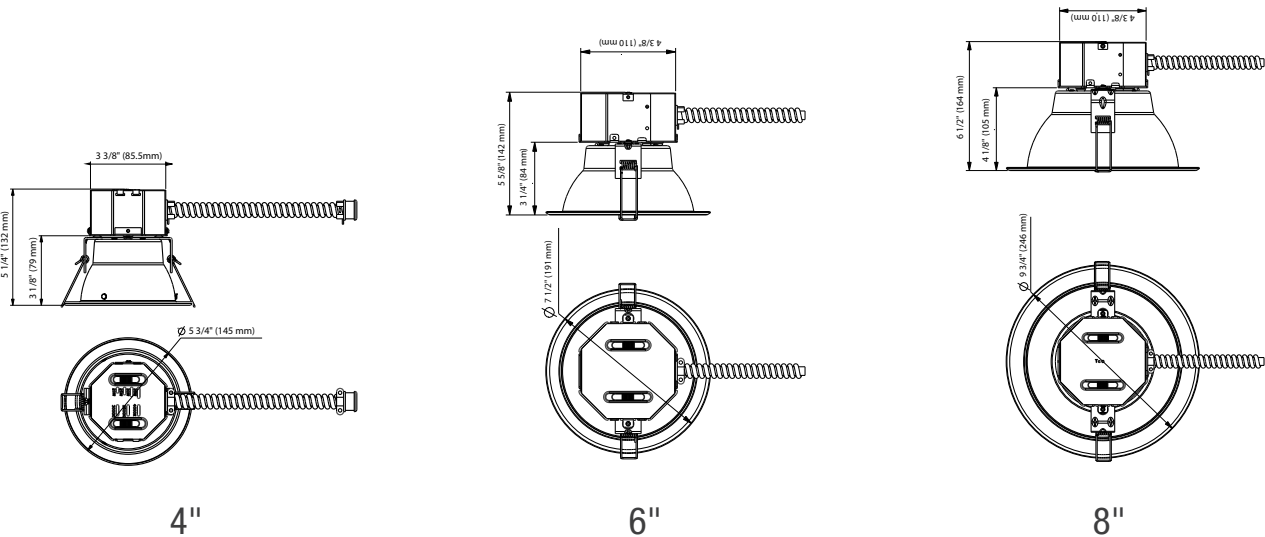


Universal Commercial - CDU

The Universal Commercial downlight series is an all-in-one luminaire that will bring peace of mind to any project. With its high versatility, it enables to choose the right amount of light required as well as the color temperature that will bring out the best out of any space. The Universal Commercial downlight is perfect for both new construction and retrofit solution to replace existing CFL, HID and incandescent luminaires.



Order code	Model number	Watts (W)	Volts (VAC)	Color temp. (K)	Lumen output (lm)	Efficiency (lm/W)	CRI	Life L70 (hrs)	Beam angle (°)	Finish	Power factor	THD (%)	Case qty (master)
4" Round													
67934	CDU4R-PS4Q/3CWH	6 / 9 / 12 / 15	120-347	3 000 / 3 500 / 4 000	500 / 750 / 1 000 / 1 200	83	90+	54 000	75	White	>0.9	<20	8
68420	CDU4R-PS4Q/3CWH AZ	6 / 9 / 12 / 15	120-347	3 000 / 3 500 / 4 000	500 / 750 / 1 000 / 1 200	83	90+	54 000	75	Alzak	>0.9	<20	8
6" Round													
67935	CDU6R-PS4Q/3CWH	10 / 15 / 20 / 25	120-347	3 000 / 3 500 / 4 000	900 / 1 350 / 1 850 / 2 000	90	90+	54 000	85	White	>0.9	<20	8
68421	CDU6R-PS4Q/3CWH AZ	10 / 15 / 20 / 25	120-347	3 000 / 3 500 / 4 000	900 / 1 350 / 1 850 / 2 000	90	90+	54 000	85	Alzak	>0.9	<20	8
8" Round													
67936	CDU8R-PS4Q/3CWH	20 / 25 / 30 / 35	120-347	3 000 / 3 500 / 4 000	1 850 / 2 200 / 2 700 / 3 000	90	90+	54 000	85	White	>0.9	<20	8
68424	CDU8R-PS4Q/3CWH AZ	20 / 25 / 30 / 35	120-347	3 000 / 3 500 / 4 000	1 850 / 2 200 / 2 700 / 3 000	90	90+	54 000	85	Alzak	>0.9	<20	8



Accessories¹

Order code	Model number	Inner diameter (in)	Outer diameter (in)	Case qty (master)
68611	MPLATE HANG.BARS-4.75IN	4 3/4	N/A	12
68617	ACC/MPLATE/VELOCE6/HANG.BARS/STD	6	N/A	8
68618	ACC/MPLATE/VELOCE8/HANG.BARS/STD	8	N/A	8
68614	GOOF RING-4.75IN	4 7/8	7 1/2	24
68615	GOOF RING-6.75IN	6 3/4	9 1/4	24
68616	GOOF RING-8IN	8 1/4	11 1/2	24



¹ Junction box not included.
Lumen values are derived from photometric testing
For a complete list of compatible dimmers and ENERGY STAR qualified products, please visit www.standardpro.com



LED Veloce™

The range of Veloce™ LED downlights is an ideal solution to replace fixtures in existing installations as well as for use in new construction. As it operates on a 1-10 V dimming system, this series is best suited for commercial applications.

This series is available in 4", 6", and 8" replacement options, and it does not require the use of a housing. The LED module is fitted with an external dimmable driver and is mounted into the ceiling using torsion springs.

- High light output
- Defined beam with the clear lens (45°) or diffused lighting with the frost lens (70°)
- Anti-glare reflector design
- Variety of interchangeable reflectors and baffles



LED Veloce™ 4

Order code	Description	Watts (W)	Volts (VAC)	Color temp. (K)	Lumen output (lm)	CRI	Life L70 (hrs)	Beam angle (°)	CBCP (cd)	Baffle color	Traditional equivalent (W)		Case qty (master)
											CFL	HID	
Clear Lens													
64744	VELOCE4/MOD/13W/30K/45/SLV/STD	13	120-277	3 000	1 160	90	50 000	45	1 648	Silver	26	20	4
64750	VELOCE4/MOD/13W/30K/45/BLK/STD	13	120-277	3 000	1 160	90	50 000	45	1 648	Black	26	20	4
64756	VELOCE4/MOD/13W/30K/45/WH/STD	13	120-277	3 000	1 160	90	50 000	45	1 648	White	26	20	4
64745	VELOCE4/MOD/13W/35K/45/SLV/STD	13	120-277	3 500	1 160	90	50 000	45	1 781	Silver	26	20	4
64751	VELOCE4/MOD/13W/35K/45/BLK/STD	13	120-277	3 500	1 160	90	50 000	45	1 781	Black	26	20	4
64757	VELOCE4/MOD/13W/35K/45/WH/STD	13	120-277	3 500	1 160	90	50 000	45	1 781	White	26	20	4
64746	VELOCE4/MOD/13W/40K/45/SLV/STD	13	120-277	4 000	1 160	90	50 000	45	1 756	Silver	26	20	4
64752	VELOCE4/MOD/13W/40K/45/BLK/STD	13	120-277	4 000	1 160	90	50 000	45	1 756	Black	26	20	4
64758	VELOCE4/MOD/13W/40K/45/WH/STD	13	120-277	4 000	1 160	90	50 000	45	1 756	White	26	20	4
Frost Lens													
64747	VELOCE4/MOD/F/13W/30K/70/SLV/STD	13	120-277	3 000	960	90	50 000	70	599	Silver	26	20	4
64753	VELOCE4/MOD/F/13W/30K/70/BLK/STD	13	120-277	3 000	960	90	50 000	70	599	Black	26	20	4
64759	VELOCE4/MOD/F/13W/30K/70/WH/STD	13	120-277	3 000	960	90	50 000	70	599	White	26	20	4
64748	VELOCE4/MOD/F/13W/35K/70/SLV/STD	13	120-277	3 500	960	90	50 000	70	624	Silver	26	20	4
64754	VELOCE4/MOD/F/13W/35K/70/BLK/STD	13	120-277	3 500	960	90	50 000	70	624	Black	26	20	4
64760	VELOCE4/MOD/F/13W/35K/70/WH/STD	13	120-277	3 500	960	90	50 000	70	624	White	26	20	4
64749	VELOCE4/MOD/F/13W/40K/70/SLV/STD	13	120-277	4 000	960	90	50 000	70	643	Silver	26	20	4
64755	VELOCE4/MOD/F/13W/40K/70/BLK/STD	13	120-277	4 000	960	90	50 000	70	643	Black	26	20	4
64761	VELOCE4/MOD/F/13W/40K/70/WH/STD	13	120-277	4 000	960	90	50 000	70	643	White	26	20	4

LED Driver

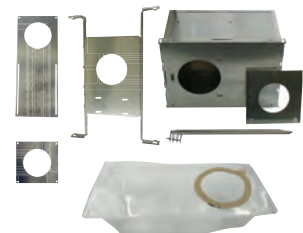
	System watts (W)	Max. load (W)	Input volts (VAC)	Output volts (VDC)	Input current (mA)
Veloce 4	16	18	120-277	30-42	350



Ø 3 17/32" (90 mm) up to
Ø 4 1/4" (100 mm)

Accessories

Order code	Model number	Opening diameter (in.)	Type	Case qty (master)
66051	ACC/MPLATE/4.25IN/SQR/STD	4 ¼	Mounting plate	100
66058	ACC/MPLATE/4.25IN/ADJ/STD	4 ¼	Adjustable mounting plate	50
62678	ACC/MPLATE/4.25IN/HANG.BARS/STD	4 ¼	Mounting plate with hanger bars	20
62672	ACC/INSULATED BOX/3_4.5/STD	3 to 4 ½	Insulated box with hanger bars	4
66143	ACC/4/VAPOR BARRIER/STD	4 ¼	Vapor barrier extender	50



Lumen values are derived from photometric testing
For a complete list of compatible dimmers, please visit www.standardpro.com



LED Veloce™ 6



Order code	Description	Watts (W)	Volts (VAC)	Color temp. (K)	Lumen output (lm)	CRI	Life L70 (hrs)	Beam angle (°)	CBCP (cd)	Baffle color	Traditional equivalent (W)		Case qty (master)
											CFL	HID	
Clear Lens													
64762	VELOCE6/MOD/18W/35K/45/SLV/STD	18	120-277	3 500	2 030	90	50 000	45	2 328	Silver	2 x 26	30	4
64766	VELOCE6/MOD/18W/35K/45/BLK/STD	18	120-277	3 500	2 030	90	50 000	45	2 328	Black	2 x 26	30	4
64770	VELOCE6/MOD/18W/35K/45/WH/STD	18	120-277	3 500	2 030	90	50 000	45	2 328	White	2 x 26	30	4
64763	VELOCE6/MOD/18W/40K/45/SLV/STD	18	120-277	4 000	2 030	90	50 000	45	2 364	Silver	2 x 26	30	4
64767	VELOCE6/MOD/18W/40K/45/BLK/STD	18	120-277	4 000	2 030	90	50 000	45	2 364	Black	2 x 26	30	4
64771	VELOCE6/MOD/18W/40K/45/WH/STD	18	120-277	4 000	2 030	90	50 000	45	2 364	White	2 x 26	30	4
64774	VELOCE6/MOD/26W/35K/45/SLV/STD	26	120-277	3 500	2 750	90	50 000	45	3 121	Silver	2 x 32	50	4
64778	VELOCE6/MOD/26W/35K/45/BLK/STD	26	120-277	3 500	2 750	90	50 000	45	3 121	Black	2 x 32	50	4
64782	VELOCE6/MOD/26W/35K/45/WH/STD	26	120-277	3 500	2 750	90	50 000	45	3 121	White	2 x 32	50	4
64775	VELOCE6/MOD/26W/40K/45/SLV/STD	26	120-277	4 000	2 750	90	50 000	45	3 237	Silver	2 x 32	50	4
64779	VELOCE6/MOD/26W/40K/45/BLK/STD	26	120-277	4 000	2 750	90	50 000	45	3 237	Black	2 x 32	50	4
64783	VELOCE6/MOD/26W/40K/45/WH/STD	26	120-277	4 000	2 750	90	50 000	45	3 237	White	2 x 32	50	4
Frost Lens													
64764	VELOCE6/MOD/F/18W/35K/70/SLV/STD	18	120-277	3 500	1 860	90	50 000	70	980	Silver	2 x 26	30	4
64768	VELOCE6/MOD/F/18W/35K/70/BLK/STD	18	120-277	3 500	1 860	90	50 000	70	980	Black	2 x 26	30	4
64772	VELOCE6/MOD/F/18W/35K/70/WH/STD	18	120-277	3 500	1 860	90	50 000	70	980	White	2 x 26	30	4
64765	VELOCE6/MOD/F/18W/40K/70/SLV/STD	18	120-277	4 000	1 860	90	50 000	70	959	Silver	2 x 26	30	4
64769	VELOCE6/MOD/F/18W/40K/70/BLK/STD	18	120-277	4 000	1 860	90	50 000	70	959	Black	2 x 26	30	4
64773	VELOCE6/MOD/F/18W/40K/70/WH/STD	18	120-277	4 000	1 860	90	50 000	70	959	White	2 x 26	30	4
64776	VELOCE6/MOD/F/26W/35K/70/SLV/STD	26	120-277	3 500	2 500	90	50 000	70	1 331	Silver	2 x 32	50	4
64780	VELOCE6/MOD/F/26W/35K/70/BLK/STD	26	120-277	3 500	2 500	90	50 000	70	1 331	Black	2 x 32	50	4
64784	VELOCE6/MOD/F/26W/35K/70/WH/STD	26	120-277	3 500	2 500	90	50 000	70	1 331	White	2 x 32	50	4
64777	VELOCE6/MOD/F/26W/40K/70/SLV/STD	26	120-277	4 000	2 500	90	50 000	70	1 407	Silver	2 x 32	50	4
64781	VELOCE6/MOD/F/26W/40K/70/BLK/STD	26	120-277	4 000	2 500	90	50 000	70	1 407	Black	2 x 32	50	4
64785	VELOCE6/MOD/F/26W/40K/70/WH/STD	26	120-277	4 000	2 500	90	50 000	70	1 407	White	2 x 32	50	4

LED Drivers

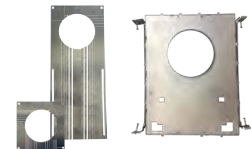
	System watts (W)	Max. load (W)	Input volts (VAC)	Output volts (VAC)	Input current (mA)
Veloce 6 (18 W)	22	36	120-277	30-42	500
Veloce 6 (26 W)	30	36	120-277	30-42	700



Ø 6" (150 mm) up to
Ø 6 5/8" (165 mm)

Accessories

Order code	Model number	Opening diameter (in.)	Type	Case qty (master)
66817	ACC/MPLATE/VELOCE6/HANG.BARS/STD	6	Mounting plate with hanger bars	8
64263	ACC/MPLATE/6.25IN/SQR/STD	6 ¼	Mounting plate	96
64921	ACC/MPLATE/6.25IN/ADJ/STD	6 ¼	Adjustable mounting plate	24
66144	ACC/6/VAPOR BARRIER/STD	6 7/32	Vapor barrier extender	50



Lumen values are derived from photometric testing
For a complete list of compatible dimmers, please visit www.standardpro.com



LED Veloce™ 8



Order code	Description	Watts	Volts	Color temp.	Lumen output	CRI	Life L70	Beam angle	CBCP	Baffle color	Traditional equivalent (W)		Case qty
		(W)	(VAC)	(K)	(lm)	(hrs)	(°)	(cd)	CFL	HID	(master)		
Clear Lens													
64786	VELOCE8/MOD/26W/35K/45/SLV/STD	26	120-277	3 500	2 800	90	50 000	45	2 517	Silver	2 x 32	50	4
64790	VELOCE8/MOD/26W/35K/45/BLK/STD	26	120-277	3 500	2 800	90	50 000	45	2 517	Black	2 x 32	50	4
64794	VELOCE8/MOD/26W/35K/45/WH/STD	26	120-277	3 500	2 800	90	50 000	45	2 517	White	2 x 32	50	4
64787	VELOCE8/MOD/26W/40K/45/SLV/STD	26	120-277	4 000	2 800	90	50 000	45	2 852	Silver	2 x 32	50	4
64791	VELOCE8/MOD/26W/40K/45/BLK/STD	26	120-277	4 000	2 800	90	50 000	45	2 852	Black	2 x 32	50	4
64795	VELOCE8/MOD/26W/40K/45/WH/STD	26	120-277	4 000	2 800	90	50 000	45	2 852	White	2 x 32	50	4
64798	VELOCE8/MOD/38W/40K/45/SLV/STD	38	120-277	4 000	3 950	90	50 000	45	4 092	Silver	2 x 42	70	4
64800	VELOCE8/MOD/38W/40K/45/BLK/STD	38	120-277	4 000	3 950	90	50 000	45	4 092	Black	2 x 42	70	4
64802	VELOCE8/MOD/38W/40K/45/WH/STD	38	120-277	4 000	3 950	90	50 000	45	4 092	White	2 x 42	70	4
Frost Lens													
64788	VELOCE8/MOD/F/26W/35K/70/SLV/STD	26	120-277	3 500	2 490	90	50 000	70	1 468	Silver	2 x 32	50	4
64792	VELOCE8/MOD/F/26W/35K/70/BLK/STD	26	120-277	3 500	2 490	90	50 000	70	1 468	Black	2 x 32	50	4
64796	VELOCE8/MOD/F/26W/35K/70/WH/STD	26	120-277	3 500	2 490	90	50 000	70	1 468	White	2 x 32	50	4
64789	VELOCE8/MOD/F/26W/40K/70/SLV/STD	26	120-277	4 000	2 490	90	50 000	70	1 601	Silver	2 x 32	50	4
64793	VELOCE8/MOD/F/26W/40K/70/BLK/STD	26	120-277	4 000	2 490	90	50 000	70	1 601	Black	2 x 32	50	4
64797	VELOCE8/MOD/F/26W/40K/70/WH/STD	26	120-277	4 000	2 490	90	50 000	70	1 601	White	2 x 32	50	4
64799	VELOCE8/MOD/F/38W/40K/70/SLV/STD	38	120-277	4 000	3 500	90	50 000	70	2 282	Silver	2 x 42	70	4
64801	VELOCE8/MOD/F/38W/40K/70/BLK/STD	38	120-277	4 000	3 500	90	50 000	70	2 282	Black	2 x 42	70	4
64803	VELOCE8/MOD/F/38W/40K/70/WH/STD	38	120-277	4 000	3 500	90	50 000	70	2 282	White	2 x 42	70	4

LED Drivers

	System watts (W)	Max. load (W)	Input volts (VAC)	Output volts (VDC)	Input current (mA)
Veloce 8 (26 W)	30	36	120-277	30-42	700
Veloce 8 (36 W)	42	50	120-277	22-38	1 050



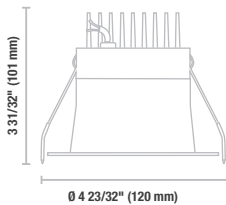
Ø 8 1/16" (205 mm) up to
Ø 8 11/16" (220 mm)

Accessory

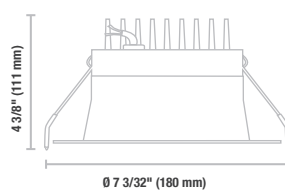
Order code	Model number	Opening diameter (in.)	Type	Case qty (master)
66818	ACC/MP/PLATE/VELOCE8/HANG.BARS/STD	8	Mounting plate with hanger bars	8



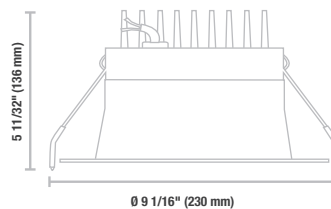
Veloce™ 4



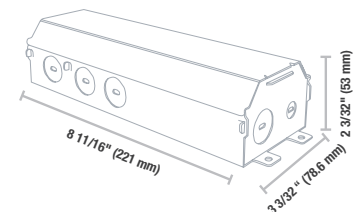
Veloce™ 6



Veloce™ 8



Veloce™ 4, 6 and 8 LED Driver



Lumen values are derived from photometric testing
For a complete list of compatible dimmers, please visit www.standardpro.com



Traditional Recessed

We have taken our years of lighting expertise and incorporated it into our line of high quality recessed fixtures designed with ease of installation and versatile lighting options in mind. Recessed fixtures provide convenient unobtrusive general lighting for residential and commercial applications, and with Stanpro's extensive assortment

of trims and housings, you can create an unparalleled look. Our wide varieties of trims suit all applications and complement every decor. Paired with Canada's largest selection of LED lamps you will be sure to find the best combination for all your lighting needs.

3" Housing



Order code	Model number	Opening diameter (in.)	Volts (VAC)	Socket	Case qty (master)
Remodeler - IC / Non-IC					
63230 ¹	RF3in/REMOD/IC/GU10/STD	3	120	GU10	6

3" Trims

Compatible Lamps (MR16 GU10)



Order code	Model number	Finish	Rotation angle (°)	Case qty (inner/master)
Recessed Die-Cast				
62700 ²	RF3/TRIM/DIECAST.REC/CHR/STD	Chrome	N/A	6/24
62701 ²	RF3/TRIM/DIECAST.REC/SAT.CHR/STD	Satin chrome	N/A	6/24
62699 ²	RF3/TRIM/DIECAST.REC/WH/STD	White	N/A	6/24
Gimbal				
62711 ²	RF3/TRIM/GMB/CHR/STD	Chrome	35	6/24
62715	RF3/TRIM/GMB/SAT.CHR/STD	Satin chrome	35	6/24
62703 ²	RF3/TRIM/GMB/WH/STD	White	35	6/24
62719 ²	RF3/TRIM/GMB/BLK/STD	Black	35	6/24
62707 ²	RF3/TRIM/GMB/ORB/STD	Oil rubbed bronze	35	6/24
Gimbal				
62710 ²	RF3/TRIM/SQR/GMB/CHR/STD	Chrome	35	6/24
62714 ²	RF3/TRIM/SQR/GMB/SAT.CHR/STD	Satin chrome	35	6/24
62702 ²	RF3/TRIM/SQR/GMB/WH/STD	White	35	6/24

Accessories

Order code	Model number	Opening diameter (in.)	Type	Case qty (master)
66047	ACC/MPLATE/3.25IN/SQR/STD	3 ¼	Square mounting plates	96
66054	ACC/MPLATE/3.25IN/ADJ/STD	3 ¼	Adjustable mounting plates	24
62673	ACC/MPLATE/3.25IN/HANG.BARS/STD	3 ¼	Mounting plates with hanger bars	20
66142	ACC/3/VAPOR BARRIER/STD	3 5/8	Vapor barrier extender	50



For complete warranty information, please visit www.standardpro.com
¹ This housing is rated for both insulated ceilings (IC) and non-insulated ceilings (non-IC), however, only to be used with an LED lamp in an IC application
² Safety glass included, only to be installed with an open style lamp. Not suitable for LED technology

6 damp location

7w maximum per lamp

50w maximum per lamp

1 yr warranty

SP[®] C US

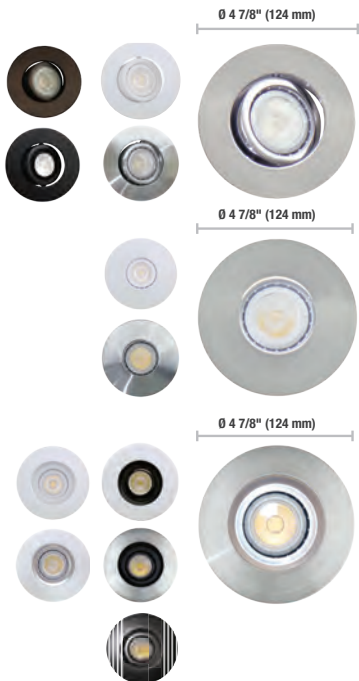
4" Housings



Order code	Model number	Opening diameter (in.)	Volts (VAC)	Socket	Case qty (master)
Remodeler					
62690	RF4in/REMOD/LOW.VOLT/GU5.3/STD	4	12	GU5.3	6
Remodeler - IC / Non-IC					
63231 ¹	RF4in/REMOD/IC/GU10/STD	4	120	GU10	6
63232 ¹	RF4in/REMOD/IC/E26/STD	4	120	E26	6
New Construction					
62685	RF4in/NC/NON-IC/LOW.VOLT/GU5.3/STD	4	12	GU5.3	6
New Construction - IC / Non-IC					
64335 ¹	RF4in/NC/IC_NON-IC/E26/STD	4	120	E26	4
64336 ¹	RF4in/NC/IC_NON-IC/GU10/STD	4	120	GU10	4
New Construction - IC					
62682	RF4in/NC/IC/LOW.VOLT/GU5.3/STD	4	12	GU5.3	4
62681	RF4in/NC/IC/GU10/STD	4	120	GU10	4
62680	RF4in/NC/IC/E26/STD	4	120	E26	4

4" Trims

Compatible Lamp (PAR20)



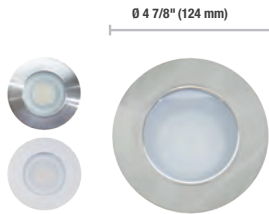
Order code	Model number	Finish	Rotation angle (°)	Case qty (inner/master)
Gimbal				
62713	RF4/TRIM/GMB/CHR/PAR20/STD	Chrome	35	6/24
62717	RF4/TRIM/GMB/SAT.CHR/PAR20/STD	Satin chrome	35	6/24
62705	RF4/TRIM/GMB/WH/PAR20/STD	White	35	6/24
62721	RF4/TRIM/GMB/BLK/PAR20/STD	Black	35	6/24
62709	RF4/TRIM/GMB/ORB/PAR20/STD	Oil rubbed bronze	35	6/24
Slim Line				
62743	RF4/TRIM/SLML/CHR/PAR20/STD	Chrome	N/A	6/24
62744	RF4/TRIM/SLML/SAT.CHR/PAR20/STD	Satin chrome	N/A	6/24
62742	RF4/TRIM/SLML/WH/PAR20/STD	White	N/A	6/24
Recessed				
62752	RF4/TRIM/REC/SAT.CHR_ALU/PAR20/STD	Satin chrome / Aluminum	N/A	6/24
62753	RF4/TRIM/REC/SAT.CHR_BLK/PAR20/STD	Satin chrome / Black	N/A	6/24
62751	RF4/TRIM/REC/WH_BLK/PAR20/STD	White / Black	N/A	6/24
62750	RF4/TRIM/REC/WH_CHR/PAR20/STD	White / Chrome	N/A	6/24
62749	RF4/TRIM/REC/WH_WH/PAR20/STD	White / White	N/A	6/24
63393	RF4/TRIM/REC/BLK_BLK/PAR20/STD	Black / Black	N/A	6/24

For complete warranty information, please visit www.standardpro.com
¹ This housing is rated for both insulated ceilings (IC) and non-insulated ceilings (non-IC), however, only to be used with an LED lamp in an IC application

6 damp location **7w** maximum per lamp ¹ **50w** maximum per lamp **1 yr** warranty 

4" Shower Trims

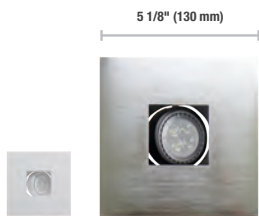
Compatible Lamp (PAR20)



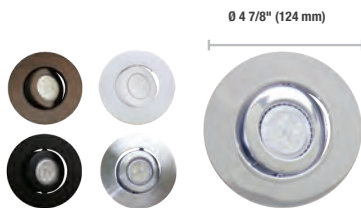
Order code	Model number	Finish	Rotation angle (°)	Case qty (inner/master)
Shower				
62739 ¹	RF4/TRIM/SWR/CHR/PAR20/STD	Chrome	N/A	6/24
62741 ¹	RF4/TRIM/SWR/SAT.CHR/PAR20/STD	Satin chrome	N/A	6/24
62737 ¹	RF4/TRIM/SWR/WH/PAR20/STD	White	N/A	6/24

4" Trims

Compatible Lamps (MR16 GU10, GU5.3, E26, PAR16)

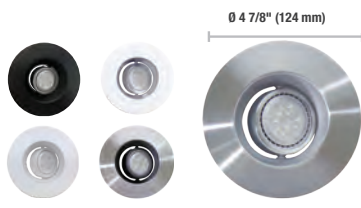


Order code	Model number	Finish	Rotation angle (°)	Case qty (inner/master)
Gimbal				
62716 ²	RF4/TRIM/SQR/GMB/SAT.CHR/MR16/STD	Satin chrome	35	6/24
62704 ²	RF4/TRIM/SQR/GMB/WH/MR16/STD	White	35	6/24



Gimbal

62712 ²	RF4/TRIM/GMB/CHR/MR16/STD	Chrome	35	6/24
62718 ²	RF4/TRIM/GMB/SAT.CHR/MR16/STD	Satin chrome	35	6/24
62706 ²	RF4/TRIM/GMB/WH/MR16/STD	White	35	6/24
62720 ²	RF4/TRIM/GMB/BLK/MR16/STD	Black	35	6/24
62708 ²	RF4/TRIM/GMB/ORB/MR16/STD	Oil rubbed bronze	35	6/24



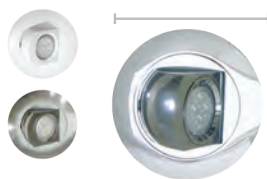
Recessed Gimbal

62724 ²	RF4/TRIM/GMB.REC/SAT.CHR&AL/MR16/STD	Satin chrome / Satin aluminum	35	6/24
62725 ²	RF4/TRIM/GMB.REC/SAT.CHR_BLK/MR16/STD	Satin chrome / Black	35	6/24
62723 ²	RF4/TRIM/GMB.REC/WH_CHR/MR16/STD	White / Chrome	35	6/24
62722 ²	RF4/TRIM/GMB.REC/WH_WH/MR16/STD	White / White	35	6/24
63394 ²	RF4/TRIM/GMB.REC/BLK_BLK/MR16/STD	Black / Black	35	6/24



Wall Washer

62756 ²	RF4/TRIM/SLIT/SAT.CHR/MR16/STD	Satin chrome	N/A	6/24
62754 ²	RF4/TRIM/SLIT/WH/MR16/STD	White	N/A	6/24



Retractable Elbow (MR16 GU53 lamps only)

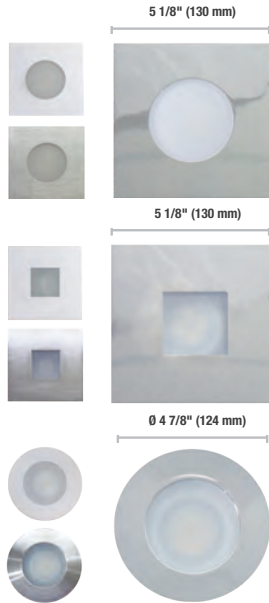
62758 ²	RF4/TRIM/RETRACT.ELB/CHR/MR16/STD	Chrome	80	6/24
62757 ²	RF4/TRIM/RETRACT.ELB/SAT.CHR/MR16/STD	Satin chrome	80	6/24
62759 ²	RF4/TRIM/RETRACT.ELB/WH/MR16/STD	White	80	6/24

For complete warranty information, please visit www.standardpro.com
¹ Not recommended for use in steam showers or when directly exposed to water.
² Safety glass included, only to be installed with an open lamp. Not suitable for LED technology.



4" Shower Trims

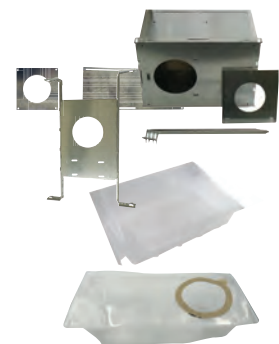
Compatible Lamps (MR16 GU10, GU5.3, E26 and PAR16)



Order code	Model number	Finish	Rotation angle (°)	Case qty (inner/master)
Shower				
62731 ¹	RF4/TRIM/SWR/SQR/CHR/MR16/STD	Chrome	N/A	6/24
62732 ¹	RF4/TRIM/SWR/SQR/SAT.CHR/MR16/STD	Satin chrome	N/A	6/24
62730 ¹	RF4/TRIM/SWR/SQR/WH/MR16/STD	White	N/A	6/24
Shower				
62734 ¹	RF4/TRIM/SWR/SQR_SQR/CHR/MR16/STD	Chrome	N/A	6/24
62735 ¹	RF4/TRIM/SWR/SQR_SQR/SAT.CHR/MR16/STD	Satin chrome	N/A	6/24
62733 ¹	RF4/TRIM/SWR/SQR_SQR/WH/MR16/STD	White	N/A	6/24
Shower				
62738 ¹	RF4/TRIM/SWR/CHR/MR16/STD	Chrome	N/A	6/24
62740 ¹	RF4/TRIM/SWR/SAT.CHR/MR16/STD	Satin chrome	N/A	6/24
62736 ¹	RF4/TRIM/SWR/WH/MR16/STD	White	N/A	6/24

Accessories

Order code	Model number	Opening diameter (in.)	Type	Case qty (master)
66051	ACC/MPLATE/4.25/SQR/STD	4 ¼	Square mounting plate	96
66058	ACC/MPLATE/4.25/ADJ/STD	4 ¼	Adjustable mounting plate	24
62678	ACC/MPLATE/4.25IN/HANG.BARS/STD	4 ¼	Mounting plate with hanger bars	25
62679	ACC/VAPOR BARRIER/STD	-	Vapor barrier extender	25
66143	ACC/4/VAPOR BARRIER/STD	4 ¼	Vapor barrier extender	50



For complete warranty information, please visit www.standardpro.com
¹ Not recommended for use in steam showers or when directly exposed to water



35w
maximum
per lamp

1 yr
warranty



5" Housings



Order code	Model number	Opening diameter (in.)	Volts (VAC)	Socket	Case qty (master)
Remodeler - IC					
64365	RF5in/REMOD/IC/E26/STD	5	120	E26	6
New Construction - IC					
64366	RF5in/NC/IC/E26/STD	5	120	E26	6

5" Trims

Compatible Lamps (PAR30SN, PAR30LN)



Order code	Model number	Finish	Rotation angle (°)	Case qty (master)
Cone - Airtight				
64390	RF5/TRIM/CONE/BLK/PAR30/STD	Black	N/A	24
64391	RF5/TRIM/CONE/BR.NKL/PAR30/STD	Brushed nickel	N/A	24
64392	RF5/TRIM/CONE/WH/PAR30/STD	White	N/A	24
Gimbal				
64393	RF5/TRIM/GMB/BLK/PAR30/STD	Black	30	24
64394	RF5/TRIM/GMB/BR.NKL/PAR30/STD	Brushed nickel	30	24
64395	RF5/TRIM/GMB/WH/PAR30/STD	White	30	24
Reflector				
65525	RF5/TRIM/CONE/RFL_WH/PAR30/STD	White/Chrome	N/A	24
Shower				
65524 ¹	RF5/TRIM/SWR/WH/PAR30/STD	White	N/A	24

Accessory

Order code	Model number	Opening diameter (in.)	Type	Case qty (master)
62679	ACC/VAPOR BARRIER/STD	-	Vapor barrier extender	25



For complete warranty information, please visit www.standardpro.com
¹ Not recommended for use in steam showers or when directly exposed to water

6
clamp
location

75w
maximum
per lamp

1
yr
warranty



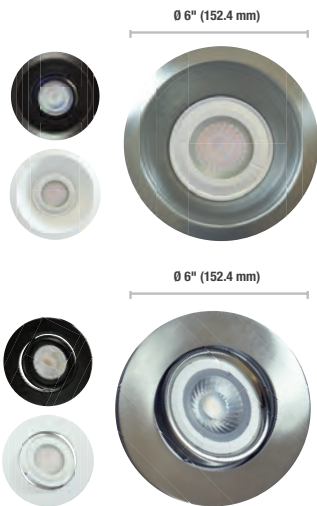
6" Housings



Order code	Model number	Opening diameter (in.)	Volts (VAC)	Socket	Case qty (master)
Remodeler - IC					
64367 ¹	RF6in/REMOD/IC/E26/STD	6	120	E26	6

6" Trims

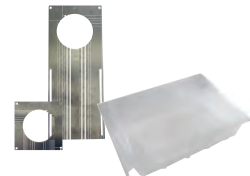
Compatible Lamp (PAR38)



Order code	Model number	Finish	Rotation angle (°)	Case qty (master)
Cone - Airtight				
64396	RF6/TRIM/CONE/BLK/PAR38/STD	Black	N/A	24
64397	RF6/TRIM/CONE/BR.NKL/PAR38/STD	Brushed nickel	N/A	24
64398	RF6/TRIM/CONE/WH/PAR38/STD	White	N/A	24
Gimbal				
64399	RF6/TRIM/GMB/BLK/PAR38/STD	Black	30	24
64400	RF6/TRIM/GMB/BR.NKL/PAR38/STD	Brushed nickel	30	24
64401	RF6/TRIM/GMB/WH/PAR38/STD	White	30	24

Accessories

Order code	Model number	Opening diameter (in.)	Type	Case qty (master)
64921	ACC/MPLATE/6.25IN/ADJ/STD	6 ¼	Adjustable mounting plate	24
64263	ACC/MPLATE/6.25IN/SQR/STD	6 ¼	Square mounting plate	96
62679	ACC/VAPOR BARRIER/STD	-	Vapor barrier extender	25



For complete warranty information, please visit www.standardpro.com

6 clamp location

70w maximum per lamp

1^{yr} warranty



3 1/2" Outdoor Soffits

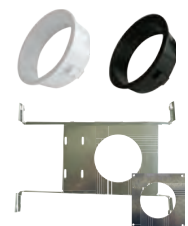
Compatible Lamps (PAR20¹, R20¹)



Order code	Model number	Finish	Opening diameter (in.)	Volts (VAC)	Socket	Case qty (master)
Housings						
62691	RF3.5in/OUT.SOF/BLK/E26/STD	Black	3 1/2	120	E26	12
62692	RF3.5in/OUT.SOF/BRN/E26/STD	Brown	3 1/2	120	E26	12
62693	RF3.5in/OUT.SOF/CLAY/E26/STD	Clay	3 1/2	120	E26	12
62694	RF3.5in/OUT.SOF/WH/E26/STD	White	3 1/2	120	E26	12

Accessories

Order code	Model number	Type	Finish	Opening diameter (in.)	Case qty (master)
62668	RF/ACC/BAF/3.5/BLK/OUT.SOF/STD	Baffle	Black	3 1/2	50
62669	RF/ACC/BAF/3.5/WH/OUT.SOF/STD	Baffle	White	3 1/2	50
62771	ACC/MPLATE/3.75IN/HANG.BARS/STD	Mounting plate with hanger bars	-	3 3/4	25
66050	ACC/MPLATE/3.75IN/SQR/STD	Square mounting plate	-	3 3/4	96



4 1/2" Outdoor Soffits

Compatible Lamps (BR30², PAR30³)



Order code	Model number	Finish	Opening diameter (in.)	Volts (VAC)	Socket	Case qty (master)
Housings						
62695	RF4.5in/OUT.SOF/BLK/E26/STD	Black	4 1/2	120	E26	12
62696	RF4.5in/OUT.SOF/BRN/E26/STD	Brown	4 1/2	120	E26	12
62697	RF4.5in/OUT.SOF/CLAY/E26/STD	Clay	4 1/2	120	E26	12
62698	RF4.5in/OUT.SOF/WH/E26/STD	White	4 1/2	120	E26	12

Accessories

Order code	Model number	Type	Finish	Opening diameter (in.)	Case qty (master)
62670	RF/ACC/BAF/4.5/BLK/OUT.SOF/STD	Baffle	Black	4 1/2	50
62671	RF/ACC/BAF/4.5/WH/OUT.SOF/STD	Baffle	White	4 1/2	50
62772	ACC/MPLATE/4.75IN/HANG.BARS/STD	Mounting plate with hanger bars	-	4 3/4	25
66052	ACC/MPLATE/4.75IN/SQR/STD	Square mounting plate	-	4 3/4	96



For complete warranty information, please visit www.standardpro.com

6 damp location
1 50w maximum per lamp
2 65w maximum per lamp
3 75w maximum per lamp
outdoor
1 yr warranty
SP US



LED Ceiling Luminaire

Discover our LED ceiling luminaire line equipped with high quality integrated LED: they are an energy efficient solution with a life rating of 50 000 hours. This line offers a pleasant, dimmable light making a great solution for any general lighting needs. Thanks to

our variety of decorative options you can enjoy direct or indirect lighting fitting seamlessly into any commercial and residential installations.

LED Traditional



8"



11", 14"

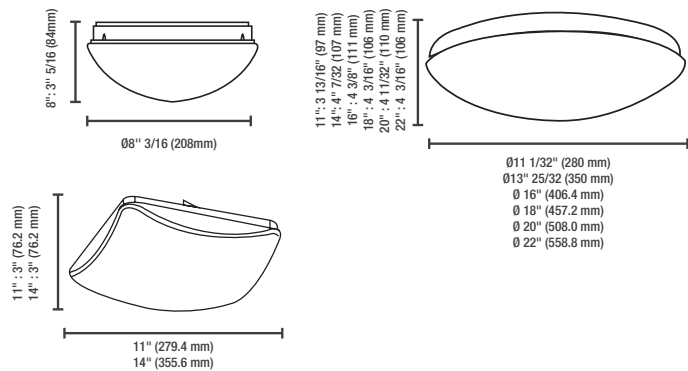


16", 18", 20", 22"

Order code	Part number	Watts (W)	Volts (VAC)	Color temp. (K)	Lumen output (lm)	Efficiency (lm/W)	CRI	Life L70 (hrs)	Finish	Dimming (Yes/No)	Power factor	THD (%)	Case qty (master)
8" Round													
68019	CLWH8-R13W-A/30K	13	120	3 000	921	71	80	50 000	White	Yes	>0.90	<20	12
68020	CLWH8-R13W-A/40K	13	120	4 000	921	71	80	50 000	White	Yes	>0.90	<20	12
11" Round													
66710	CL11/S2/15W/27K/RND/WH/STD	15	120	2 700	1 050	70	80	50 000	White	Yes	>0.90	<20	4
68046	CLWH11-R20W-A/30K	20	120	3 000	1 400	70	80	50 000	White	Yes	0.90	<20	10
68047	CLWH11-R20W-A/40K	20	120	4 000	1 400	70	80	50 000	White	Yes	0.90	<20	10
11" Square													
63301	LED/CL11/15W/40K/FM/SQR/STD	15	120	4 000	1 000	67	80	50 000	White	Yes	0.95	<20	4
14" Round													
66713	CL14/S2/25W/27K/RND/WH/STD	25	120	2 700	1 750	70	80	50 000	White	Yes	>0.90	<20	4
68048	CLWH14-R26W-A/30K	26	120	3 000	1 820	70	80	50 000	White	Yes	0.90	<20	5
68049	CLWH14-R26W-A/40K	26	120	4 000	1 820	70	80	50 000	White	Yes	0.90	<20	5
14" Square													
63304	LED/CL14/25W/30K/FM/SQR/STD	25	120	3 000	1 800	72	80	50 000	White	Yes	0.95	<20	4
16" Round													
65665	LED/CL16/26W/30K/FM/RND/STD	26	120	3 000	2 200	85	80	50 000	White	Yes	>0.90	<20	4
65666	LED/CL16/26W/40K/FM/RND/STD	26	120	4 000	2 310	89	80	50 000	White	Yes	>0.90	<20	4
18" Round													
65667	LED/CL18/32W/30K/FM/RND/STD	32	120	3 000	2 660	83	80	50 000	White	Yes	>0.90	<20	4
65668	LED/CL18/32W/40K/FM/RND/STD	32	120	4 000	2 800	88	80	50 000	White	Yes	>0.90	<20	4
20" Round													
65661	LED/CL20/37W/30K/FM/RND/STD	37	120	3 000	3 000	81	80	50 000	White	Yes	>0.90	<20	2
65662	LED/CL20/37W/40K/FM/RND/STD	37	120	4 000	3 150	85	80	50 000	White	Yes	>0.90	<20	2
22" Round													
65663	LED/CL22/40W/30K/FM/RND/STD	40	120	3 000	3 325	83	80	50 000	White	Yes	>0.90	<20	2
65664	LED/CL22/40W/40K/FM/RND/STD	40	120	4 000	3 500	88	80	50 000	White	Yes	>0.90	<20	2

Replacement Lenses

Order code	Model number	Replacement for
64867	LED/CL6/LENS/RND/STD	66716, 66717
64868	LED/CL8/LENS/RND/STD	66718, 66719
64877	LED/CL11/LENS/SQR/STD	63300, 63301
64878	LED/CL14/LENS/RND/STD	66713, 66714, 66715
64879	LED/CL14/LENS/SQR/STD	63304, 63305
68386	LEN-CLWH11-RND	68046, 68047
68387	LEN-CLWH14-RND	68048, 68049



Lumen values are derived from photometric testing
 For a complete list of compatible dimmers and ENERGY STAR qualified products, please visit www.standardpro.com



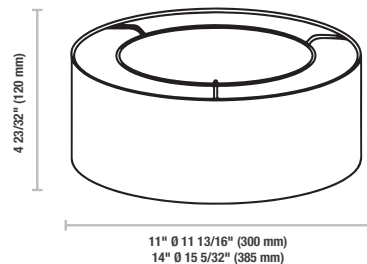
Shade

Our shades create a warm and elegant atmosphere. They complement our 11" and 14" LED traditional ceiling luminaires and are offered in assorted materials and textures which allows you to create a specific ambient style.

- Drum profile
- Materials and textures available: silk type, cork, wood, and linen type



Order code	Model number	Shape	Material	Finish	Case qty (master)
Compatible for 11" traditional ceiling luminaires					
65681	LED/CL11/SHADE/RND/WHITE/STD	Round	Linen type	White	6
65682	LED/CL11/SHADE/RND/BEIGE/STD	Round	Linen type	Beige	6
65684	LED/CL11/SHADE/RND/DGRAY/STD	Round	Linen type	Grey	6
65685	LED/CL11/SHADE/RND/WOOD/STD	Round	Wood	Wood	6
65686	LED/CL11/SHADE/RND/CORK/STD	Round	Cork	Cork	6
65687	LED/CL11/SHADE/RND/WFROST/STD	Round	Silk type	White frosted	6
66044	LED/CL11/SHADE/RND/BRNW/STD	Round	Wood	Barn wood	6
Compatible for 14" traditional ceiling luminaires					
65688	LED/CL14/SHADE/RND/WHITE/STD	Round	Linen type	White	6
65690	LED/CL14/SHADE/RND/BLACK/STD	Round	Linen type	Black	6
65691	LED/CL14/SHADE/RND/DGRAY/STD	Round	Linen type	Grey	6
65692	LED/CL14/SHADE/RND/WOOD/STD	Round	Wood	Wood	6
65693	LED/CL14/SHADE/RND/CORK/STD	Round	Cork	Cork	6
65694	LED/CL14/SHADE/RND/WFROST/STD	Round	Silk type	White Frosted	6
66045	LED/CL14/SHADE/RND/BRNW/STD	Round	Wood	Barn wood	6



Note: Product availability is subject to change without notice. Please contact your Stanpro customer service representative to confirm inventory levels at time of order.



LED Single ring



6", 8"

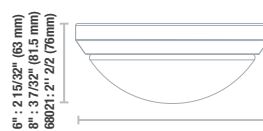


11", 14"

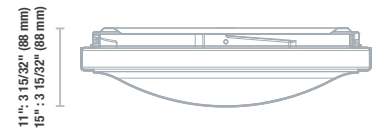
Order code	Description	Watts (W)	Volts (VAC)	Color temp. (K) ²	Lumen output (lm) ²	Efficiency (lm/W)	CRI	Life L70 (hrs) ⁴	Beam Angle (°)	Housing finish	Lens finish	Dimmable (Yes/No)	Case qty (master)
6" Round													
64247	LED/CLBN5.75/10W/30K/FM/RND/STD	10	120	3 000	550	64	80	50 000	120	Brushed Nickel	Frosted	Yes	24
64248	LED/CLBN5.75/10W/40K/FM/RND/STD	10	120	4 000	550	66	80	50 000	120	Brushed Nickel	Frosted	Yes	24
8" Round													
68021	CLBN8-R13W-A/30K	13	120	3 000	921	71	80	50 000	120	Brushed Nickel	Frosted	Yes	12
66723	CL8/S2/12W/40K/RND/BN/STD	12	120	4 000	1 020	85	80	50 000	120	Brushed Nickel	Frosted	Yes	12
11" Round													
68041	CLBN11-R16W-A/30K	16	120	3 000	1 200	75	80	50 000	120	Brushed Nickel	Frosted	Yes	10
68042	CLBN11-R16W-A/40K	16	120	4 000	1 200	75	80	50 000	120	Brushed Nickel	Frosted	Yes	10
15" Round													
68044	CLBN15-R25W-A/30K	25	120	3 000	1 875	75	80	50 000	120	Brushed Nickel	Frosted	Yes	5
68045	CLBN15-R25W-A/40K	25	120	4 000	1 875	75	80	50 000	120	Brushed Nickel	Frosted	Yes	5

Replacement Lenses

Order code	Model number	Replacement for
64880	LED/CLBN5.75/LENS/RND/STD	64247, 64248
64881	LED/CLBN7.75/LENS/RND/STD	66722, 66723, 64250



Ø 6" (147 mm)
Ø 8" (200 mm)
68021: Ø: 7" 7/8 (200mm)



Ø 11" 1/32 (280 mm)
Ø 15" : 14" 31 /32 (380mm)

Lumen values are derived from photometric testing
For a complete list of compatible dimmers and ENERGY STAR qualified products,
please visit www.standardpro.com



LED Double Ring



Brushed nickel



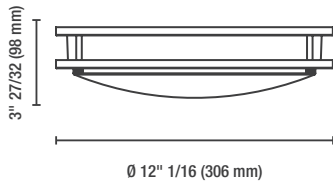
Black
12", 14", 16"



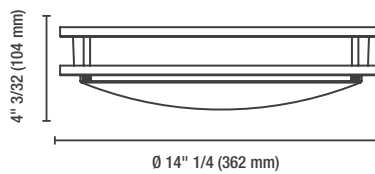
Chrome

Order code	Part number	Watts (W)	Volts (VAC)	Color temp. (K)	Lumen output (lm)	Efficiency (lm/W)	CRI	Life L70 (hrs)	Tested hours LM-80 (hrs)	Finish	Dimming (Yes/No)	Power factor	Case qty (master)
12" Round													
68058	DRBK12-R20W-A/30K	20	120	3 000	1 400	70	80	50 000	9 000	Black	Yes	0.9	4
68061	DRBN12-R20W-A/30K	20	120	3 000	1 400	70	80	50 000	9 000	Brushed nickel	Yes	0.9	4
68062	DRBN12-R20W-A/40K	20	120	4 000	1 400	70	80	50 000	9 000	Brushed nickel	Yes	0.9	4
68067	DRCH12-R20W-A/30K	20	120	3 000	1 400	70	80	50 000	9 000	Chrome	Yes	0.9	4
14" Round													
68059	DRBK14-R26W-A/30K	26	120	3 000	1 820	70	80	50 000	9 000	Black	Yes	0.9	4
68063	DRBN14-R26W-A/30K	26	120	3 000	1 820	70	80	50 000	9 000	Brushed nickel	Yes	0.9	4
68064	DRBN14-R26W-A/40K	26	120	4 000	1 820	70	80	50 000	9 000	Brushed nickel	Yes	0.9	4
68068	DRCH14-R26W-A/30K	26	120	3 000	1 820	70	80	50 000	9 000	Chrome	Yes	0.9	4
16" Round													
68060	DRBK16-R26W-A/30K	26	120	3 000	1 820	70	80	50 000	9 000	Black	Yes	0.9	4
68065	DRBN16-R26W-A/30K	26	120	3 000	1 820	70	80	50 000	9 000	Brushed nickel	Yes	0.9	4
68066	DRBN16-R26W-A/40K	26	120	4 000	1 820	70	80	50 000	9 000	Brushed nickel	Yes	0.9	4
68069	DRCH16-R26W-A/30K	26	120	3 000	1 820	70	80	50 000	9 000	Chrome	Yes	0.9	4

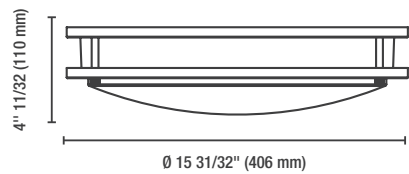
12" Round



14" Round



16" Round



Lumen values are derived from ENERGY STAR
For a complete list of compatible dimmers and ENERGY STAR qualified products, please visit www.standardpro.com



LED Edge-Lit

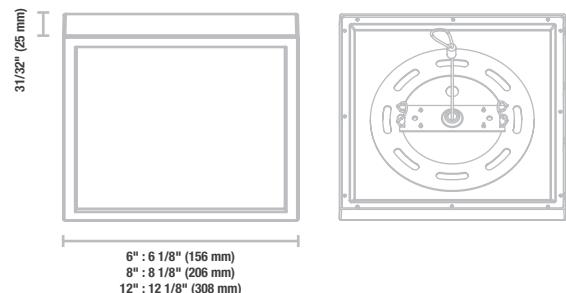
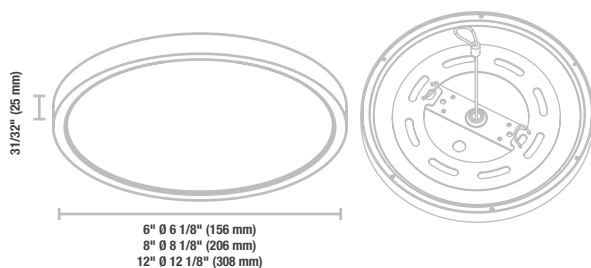


The LED Edge-Lit ceiling luminaire has a very slim design for a modern and minimalist look. These thin luminaires are equipped with an LED edge-lit technology to eliminate hot spots on the surface and provide a crisp and even light. Offered in a variety of shapes and sizes, it will fit any application.

- Easy twist-lock installation
- No visible screws
- Safety cable included
- Frosted polycarbonate lens



Order code	Model number	Watts (W)	Volts (VAC)	Color temp. (K)	Lumen output (lm)	CRI	Life L70 (hrs)	Finish	Case qty (master)
6" Round									
65454	LED/CL6/EDGELIT/11W/30K/FM/RND/WH/STD	11	120	3 000	855	80	50 000	White	20
65455	LED/CL6/EDGELIT/11W/40K/FM/RND/WH/STD	11	120	4 000	896	80	50 000	White	20
67365	LED/CL6/EDGELIT/11W/30K/FM/RND/BK/STD	11	120	3 000	792	82	50 000	Black	20
67366	LED/CL6/EDGELIT/11W/40K/FM/RND/BK/STD	11	120	4 000	816	82	50 000	Black	20
67367	LED/CL6/EDGELIT/11W/30K/FM/RND/BN/STD	11	120	3 000	836	82	50 000	Brushed Nickel	20
67368	LED/CL6/EDGELIT/11W/40K/FM/RND/BN/STD	11	120	4 000	861	82	50 000	Brushed Nickel	20
6" Square									
65460	LED/CL6/EDGELIT/11W/30K/FM/SQR/WH/STD	11	120	3 000	852	80	50 000	White	20
65461	LED/CL6/EDGELIT/11W/40K/FM/SQR/WH/STD	11	120	4 000	893	80	50 000	White	20
8" Round									
65456	LED/CL8/EDGELIT/14W/30K/FM/RND/WH/STD	14	120	3 000	1 066	80	50 000	White	20
65457	LED/CL8/EDGELIT/14W/40K/FM/RND/WH/STD	14	120	4 000	1 118	80	50 000	White	20
67369	LED/CL8/EDGELIT/14W/30K/FM/RND/BK/STD	14	120	3 000	1 008	82,3	50 000	Black	20
67370	LED/CL8/EDGELIT/14W/40K/FM/RND/BK/STD	14	120	4 000	1 038	82,3	50 000	Black	20
67371	LED/CL8/EDGELIT/14W/30K/FM/RND/BN/STD	14	120	3 000	1 064	82,3	50 000	Brushed Nickel	20
67372	LED/CL8/EDGELIT/14W/40K/FM/RND/BN/STD	14	120	4 000	1 096	82,3	50 000	Brushed Nickel	20
8" Square									
65462	LED/CL8/EDGELIT/14W/30K/FM/SQR/WH/STD	14	120	3 000	1 065	80	50 000	White	20
65463	LED/CL8/EDGELIT/14W/40K/FM/SQR/WH/STD	14	120	4 000	1 115	80	50 000	White	20
12" Round									
65458	LED/CL12/EDGELIT/22W/30K/FM/RND/WH/STD	22	120	3 000	1 647	80	50 000	White	10
65459	LED/CL12/EDGELIT/22W/40K/FM/RND/WH/STD	22	120	4 000	1 725	80	50 000	White	10
67373	LED/CL12/EDGELIT/22W/30K/FM/RND/BK/STD	22	120	3 000	1 584	81,5	50 000	Black	10
67374	LED/CL12/EDGELIT/22W/40K/FM/RND/BK/STD	22	120	4 000	1 631	81,5	50 000	Black	10
67375	LED/CL12/EDGELIT/22W/30K/FM/RND/BN/STD	22	120	3 000	1 672	81,5	50 000	Brushed Nickel	10
67376	LED/CL12/EDGELIT/22W/40K/FM/RND/BN/STD	22	120	4 000	1 722	81,5	50 000	Brushed Nickel	10
12" Square									
65464	LED/CL12/EDGELIT/22W/30K/FM/SQR/WH/STD	22	120	3 000	1 636	80	50 000	White	10
65465	LED/CL12/EDGELIT/22W/40K/FM/SQR/WH/STD	22	120	4 000	1 713	80	50 000	White	10



Lumen values are derived from photometric testing. For a complete list of compatible dimmers and ENERGY STAR qualified products, please visit www.standardpro.com



LED Cirka

CIRKA is a LED ceiling and wall surfaced mount utilizing up-to-date LED technology in a lightweight slim housing. It provides highly efficient illumination that is perfectly suited for new surfaced installations solutions. Typical applications include hallways, bathrooms and closets.

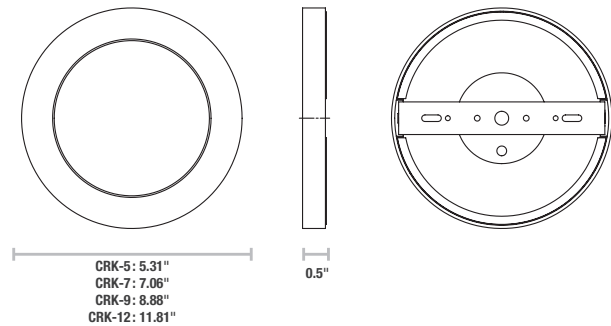


Order code	Part number	Watts (W)	Volts (VAC)	Color temp. (K) ²	Lumen output (lm) ³	Efficiency (lm/W)	CRI	Life L70 (hrs) ⁴	Finish	Dimming (Yes/No)	Power factor	THD (%)	Case qty (master)
5" Round													
68052	CRK-5-30-1	6	120	3 000	400	67	80+	90 000	White	Yes	> 0.90	< 40	60
68053	CRK-5-40-1	6	120	4 000	400	67	80+	90 000	White	Yes	> 0.90	< 40	60
7" Round													
68054	CRK-7-30-1	12	120	3 000	880	73	80+	90 000	White	Yes	> 0.90	< 40	40
68055	CRK-7-40-1	12	120	4 000	880	73	80+	90 000	White	Yes	> 0.90	< 40	40
9" Round													
68056	CRK-9-30-1	18	120	3 000	1 300	72	80+	90 000	White	Yes	> 0.90	< 40	20
68057	CRK-9-40-1	18	120	4 000	1 300	72	80+	90 000	White	Yes	> 0.90	< 40	20
12" Round													
68050	CRK-12-30-1	24	120	3 000	2 000	83	80+	90 000	White	Yes	> 0.90	< 40	10
68051	CRK-12-40-1	24	120	4 000	2 000	83	80+	90 000	White	Yes	> 0.90	< 40	10

Accessories

Order code	Type	Case qty (master)
RNG-TRM05-BN	5" Brushed nickel trim	60
68895	5" Matte Black trim	60
68896	5" Polished Chrome trim	60
RNG-TRM05-BRG	5" Brushed Rose Gold trim	60
RNG-TRM05-BB	5" Brushed Bronze trim	60
RNG-TRM07-BN	7" Brushed nickel trim	40
68898	7" Matte Black trim	40
68899	7" Polished Chrome trim	40
RNG-TRM07-BRG	7" Brushed Rose Gold trim	40
RNG-TRM07-BB	7" Brushed Bronze trim	40
RNG-TRM09-BN	9" Brushed nickel trim	20
68901	9" Matte Black trim	20
68902	9" Polished Chrome trim	20
RNG-TRM09-BRG	9" Brushed Rose Gold trim	20
RNG-TRM09-BB	9" Brushed Bronze trim	20
RNG-TRM12-BN	12" Brushed nickel trim	10
68904	12" Matte Black trim	10
68905	12" Polished Chrome trim	10
RNG-TRM12-BRG	12" Brushed Rose Gold trim	10
RNG-TRM12-BB	12" Brushed Bronze trim	10
68906	12" Satin Nickel trim	10

Dimensions



Screwless Magnetic Trims



LED Cirka CCT Selectable

Combining a highly efficient illumination with a sleek look and a lightweight slim housing, the CIRKA CCT SELECTABLE luminaire is ideal for any setting. With a selection of 3 built-in color temperatures and available in several sizes, this ceiling luminaire is the perfect solution for commercial and residential applications.



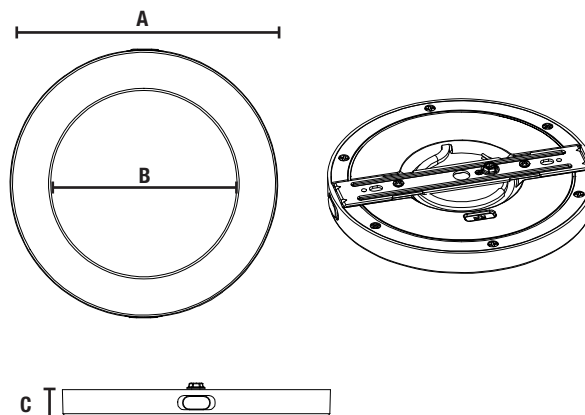
Round

Order code	Model number	Watts (W)	Volts (VAC)	Color temp. (K)	Lumen output (lm)	Efficiency (lm/W)	CRI	Life L70 (hrs)	Finish	Dimming (Yes/No)	Power factor	THD (%)	Case qty (master)
5"													
68713	CRK5-R6W-A-3CWH	6	120	3 000/4 000/5 000	360	60	80	50 000	White	Yes	0.90	< 40	60
7"													
68714	CRK7-R12W-A-3CWH	12	120	3 000/4 000/5 000	840	70	80	50 000	White	Yes	0.90	< 40	40
9"													
68715	CRK9-R18W-A-3CWH	18	120	3 000/4 000/5 000	1 260	70	80	50 000	White	Yes	0.90	< 40	20
12"													
68716	CRK12-R24W-A-3CWH	24	120	3 000/4 000/5 000	1 920	80	80	50 000	White	Yes	0.90	< 40	10

Accessories

Order code	Type	Case qty (master)
RNG-TRM05-BN	5" Brushed nickel trim	60
68895	5" Matte Black trim	60
68896	5" Polished Chrome trim	60
RNG-TRM05-BRG	5" Brushed Rose Gold trim	60
RNG-TRM05-BB	5" Brushed Bronze trim	60
RNG-TRM07-BN	7" Brushed nickel trim	40
68898	7" Matte Black trim	40
68899	7" Polished Chrome trim	40
RNG-TRM07-BRG	7" Brushed Rose Gold trim	40
RNG-TRM07-BB	7" Brushed Bronze trim	40
RNG-TRM09-BN	9" Brushed nickel trim	20
68901	9" Matte Black trim	20
68902	9" Polished Chrome trim	20
RNG-TRM09-BRG	9" Brushed Rose Gold trim	20
RNG-TRM09-BB	9" Brushed Bronze trim	20
RNG-TRM12-BN	12" Brushed nickel trim	10
68904	12" Matte Black trim	10
68905	12" Polished Chrome trim	10
RNG-TRM12-BRG	12" Brushed Rose Gold trim	10
RNG-TRM12-BB	12" Brushed Bronze trim	10
68906	12" Satin Nickel trim	10

Dimensions



	5"	7"	9"	12"
A in. (mm)	Ø 5 5/16 (135.4)	Ø 7 1/8 (180.4)	Ø 8 7/8 (225.4)	Ø 11 7/8 (300.4)
B in. (mm)	Ø 3 3/4 (94.4)	Ø 5 1/2 (139.4)	Ø 7 1/4 (184.4)	Ø 10 1/4 (259.4)
C in. (mm)	1/2 (13)	1/2 (13)	1/2 (13)	1/2 (13)
Net weight (lbs)	0.39	0.61	0.88	1.41

Screwless Magnetic Trims



LED Cirka CCT Selectable



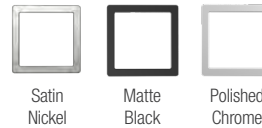
Square

Order code	Model number	Watts (W)	Volts (VAC)	Color temp. (K) ²	Lumen output (lm) ³	Efficiency (lm/W)	CRI	Life L70 (hrs) ⁴	Finish	Dimming (Yes/No)	Power factor	THD (%)	Case qty (master)
7"													
68737	CRK7-S12W-A-3CWH	12	120	3 000/4 000/5 000	800	67	80	50 000	White	Yes	0.90	< 40	40
9"													
68738	CRK9-S18W-A-3CWH	18	120	3 000/4 000/5 000	1 200	67	80	50 000	White	Yes	0.90	< 40	20
12"													
68739	CRK12-S24W-A-3CWH	24	120	3 000/4 000/5 000	1 800	75	80	50 000	White	Yes	0.90	< 40	10

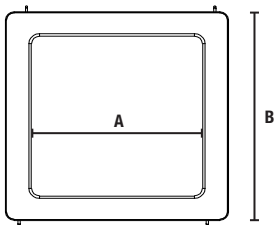
Accessories

Order code	Model number	Type	Case qty (master)
68740	RNG-TRM7-SQR-SN	7" Satin Nickel trim	40
68741	RNG-TRM7-SQR-BK	7" Matte Black trim	40
68742	RNG-TRM7-SQR-CH	7" Polished Chrome trim	40
68743	RNG-TRM9-SQR-SN	9" Satin Nickel trim	20
68744	RNG-TRM9-SQR-BK	9" Matte Black trim	20
68745	RNG-TRM9-SQR-CH	9" Polished Chrome trim	20
68746	RNG-TRM12-SQR-SN	12" Satin Nickel trim	10
68747	RNG-TRM12-SQR-BK	12" Matte Black trim	10
68748	RNG-TRM12-SQR-CH	12" Polished Chrome trim	10

Screwless Magnetic Trims



Dimensions



	7"	9"	12"
A	4 7/8 (125 mm)	6 3/4 (172 mm)	9 5/8 (244.3 mm)
B	6 3/8 (162.9 mm)	8 3/8 (214 mm)	11 3/8 (289 mm)
Net weight (lbs)	0.99	1.5	2.56



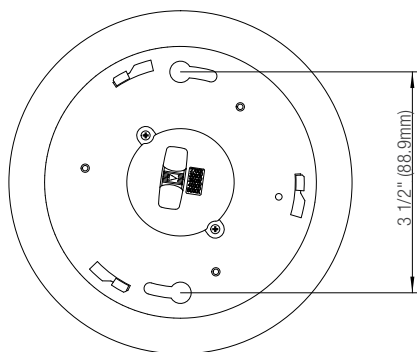
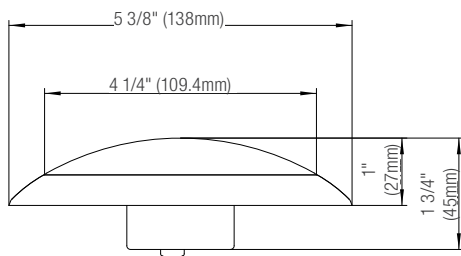
LED Ceiling Disk Light

The LED Disk CLDK combines exceptional light output with a traditional ceiling look. Installing them directly into a junction box, this fixture is versatile and will fit any application. Offered in 2 sizes and 5 Color temperature selectable, this ceiling luminaire is the perfect solution for commercial and residential applications.

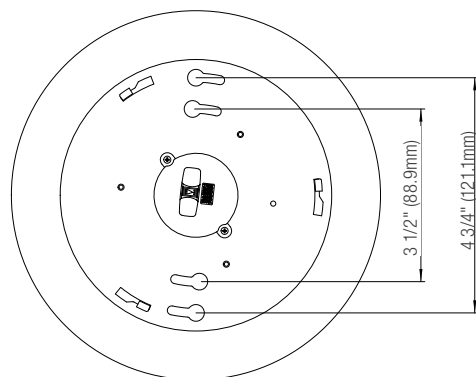
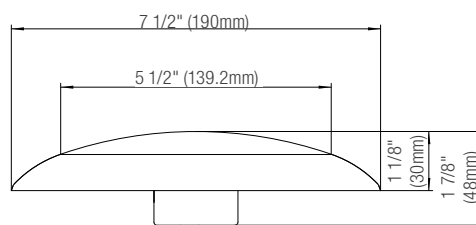


Order code	Model number	Watts (W)	Volts (VAC)	Color temp. (K) ²	Lumen output (lm) ³	Efficiency (lm/W)	CRI	Life L70 (hrs) ⁴	Shape	Finish	Dimming (Yes/No)	Power factor	THD (%)	Case qty (master)
4"														
68284	CLDK4-R8W-A/5CWH	8	120	2 700 / 3 000 / 3 500 / 4 000 / 5 000	580	73	90+	50 000	Round	White	Yes	>0.9	20	16
6"														
68285	CLDK6-R15W-A/5CWH	15	120	2 700 / 3 000 / 3 500 / 4 000 / 5 000	1000	67	90+	50 000	Round	White	Yes	>0.9	20	8

4"



6"



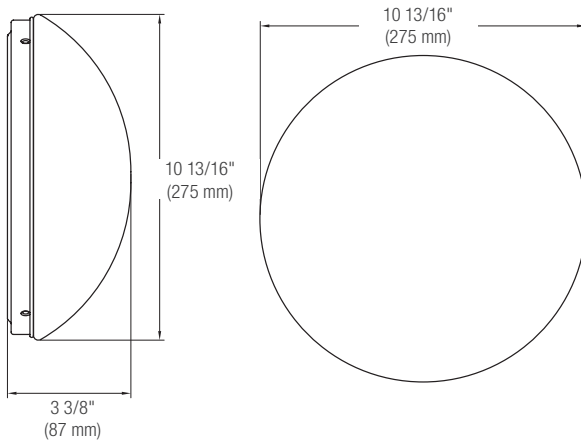
LED Tri-Level

The Tri-Level programmable ceiling luminaire is a point of reference when it comes to efficient energy consumption. This programmable LED ceiling luminaire offers vast energy savings not only by using LED technology, but also by allowing the user to control the light levels and consumption when the area is not occupied. With lighting that must be on 24/7, property managers have little choices when trying to reduce energy consumption. These programmable tri-level ceiling luminaires are the perfect solution as they maximize energy savings by intelligently managing illumination levels to avoid wasting energy.

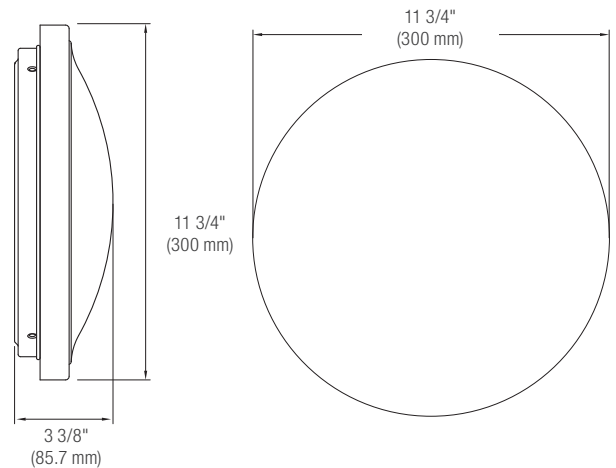


Order code	Model number	Watts (W)	Volts (VAC)	Color temp. (K) ²	Lumen (lm) ³	Efficiency (lm/W)	CRI	Life L70 (hrs) ⁴	Tested hours LM-80 (hrs) ⁴	Shape	Finish	Sensor type	Dimming (Yes/No)	Power factor	THD (%)	Case qty (master)
68367	CTL11-R15A/40KWH	15	120	4 000	1 100	75	>80	50 000	10 000	Round	White	High-Frequency	No	>0.9	<40%	4
68368	CTL11-R15A/40KBN	15	120	4 000	1 100	75	>80	50 000	10 000	Round	Brushed Nickel	High-Frequency	No	>0.9	<40%	4

68367



68368



damp location



ICES 005

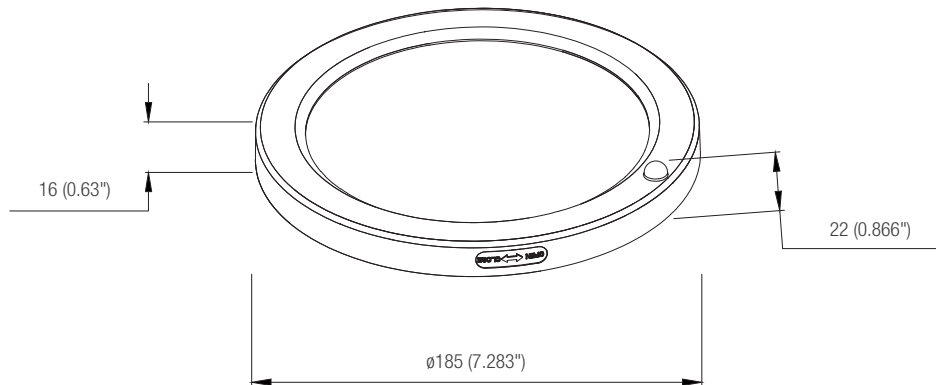


LED Motion Sensor Edgelit

The LED Motion Sensor EDGELIT ceiling luminaire has a sleek design including an embedded PIR (Passive Infrared) sensor. This luminaire helps save energy by automatically turning on when motion is detected and off when there is no motion. It can be easily installed, with a twist-lock installation, flush to a wall or ceiling. Offered in white, it will fit any type of application from a kitchen pantry, a closet, a laundry room, an attic or even a hallway.



Order code	Model number	Watts (W)	Volts (VAC)	Color temp. (K)	Lumen (lm)	Efficiency (lm/W)	CRI	Life L70 (hrs)	Shape	Finish	Sensor type	Dimming (Yes/No)	Power factor	THD (%)	Case qty (master)
68466	CLEL7/S2/MS/12W/30K/RND/WH	12	120	3000	840	70	>80	50 000	Round	White	PIR	No	>0.9	<50	20
68467	CLEL7/S2/MS/12W/40K/RND/WH	12	120	4000	840	70	>80	50 000	Round	White	PIR	No	>0.9	<50	20



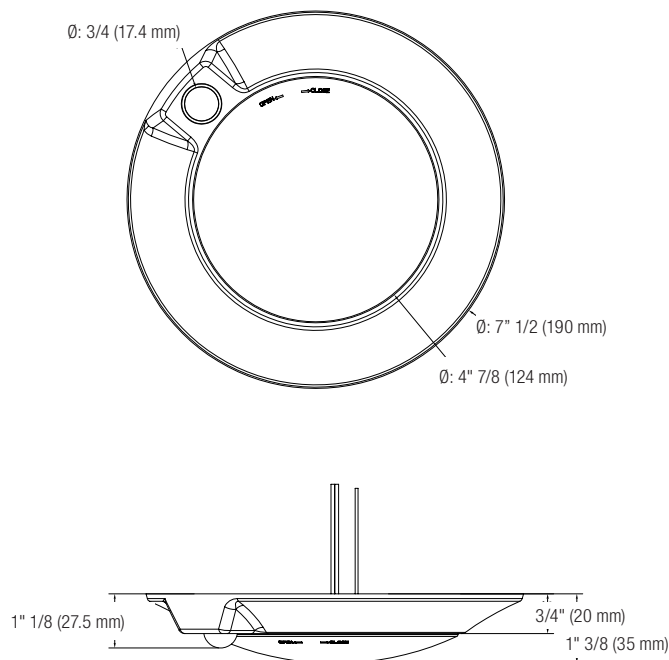
LED Motion Sensor Disk Light

Our LED Motion Sensor Disk Light with embedded PIR (Passive Infrared) sensor offers a practical and cost efficient solution. This luminaire helps save energy by automatically turning on when motion is detected and off when there is no motion. Installation is simple and the luminaire will easily fit any type of application from a kitchen pantry, a closet, storage room, a laundry room, attics – even a hallway!

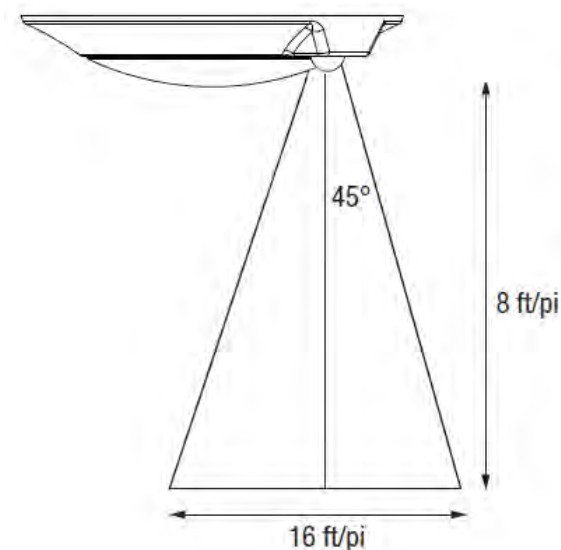


Order code	Model number	Watts (W)	Volts (VAC)	Color temp. (K)	Lumen output (lm)	Efficiency (lm/W)	CRI	Life L70 (hrs)	Beam angle (°)	Housing finish	Lens finish	Dimmable (Yes/No)	Power Factor	Case qty (master)
7"														
68378	CLDKMS7-R14W-A/40WH	14	120	4 000	1 000	70	80+	50 000	100	White	Frosted	No	>0.90	24

Dimensions



Detection Area





Track Systems

Projectors are used for accent lighting in just about any setting. Its purpose is to make a particular element, such as an architectural detail, a work of art or a showcased product stand out from

everything around it. The versatility of being able to remove, relocate and redirect these luminaires, allow for the flexibility to adjust your lighting needs as required.

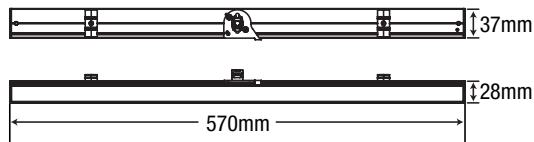
LED TLL series

The TLL is a newly developed LED track linear utilizing modern day LED. It provides highly efficient illumination and it comes with J & J2 style track adapter. The TLL can be used to add general lighting along with regular track heads. It's slim housing allows it to be installed in restricted areas such as coves and also display application. Available in 2 foot and 4 foot, diffuse lens comes standard.

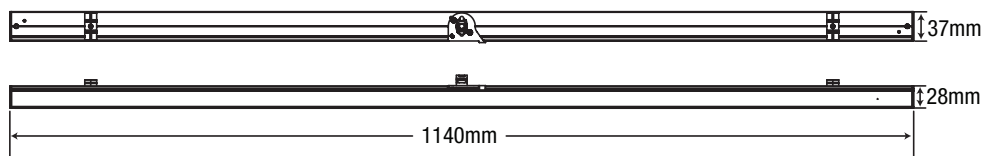


Part number	Watts (W)	Volts (VAC)	Color temp. (K)	Lumen (lm)	Efficiency (lm/W)	Lens finish	CRI	Life L70 (hrs)	Finish	Power factor	THD (%)	Case qty (master)
2'												
TLL2-183080DU-AJBK	18	120	3 000	1 612	90	Frosted lens diffused	80+	50 000	Black	>0.9	<20	20
TLL2-183080DU-AJWH	18	120	3 000	1 612	90	Frosted lens diffused	80+	50 000	White	>0.9	<20	20
TLL2-183580DU-AJBK	18	120	3 500	1 612	90	Frosted lens diffused	80+	50 000	Black	>0.9	<20	20
TLL2-183580DU-AJWH	18	120	3 500	1 612	90	Frosted lens diffused	80+	50 000	White	>0.9	<20	20
TLL2-184080DU-AJBK	18	120	4 000	1 708	95	Frosted lens diffused	80+	50 000	Black	>0.9	<20	20
TLL2-184080DU-AJWH	18	120	4 000	1 708	95	Frosted lens diffused	80+	50 000	White	>0.9	<20	20
4'												
TLL4-363080DU-AJBK	36	120	3 000	3 246	90	Frosted lens diffused	80+	50 000	Black	>0.9	<20	20
TLL4-363080DU-AJWH	36	120	3 000	3 246	90	Frosted lens diffused	80+	50 000	White	>0.9	<20	20
TLL4-363580DU-AJBK	36	120	3 500	3 246	90	Frosted lens diffused	80+	50 000	Black	>0.9	<20	20
TLL4-363580DU-AJWH	36	120	3 500	3 246	90	Frosted lens diffused	80+	50 000	White	>0.9	<20	20
TLL4-364080DU-AJBK	36	120	4 000	3 440	96	Frosted lens diffused	80+	50 000	Black	>0.9	<20	20
TLL4-364080DU-AJWH	36	120	4 000	3 440	96	Frosted lens diffused	80+	50 000	White	>0.9	<20	20

2'



4'



Traditional Track heads

Gimbal style track heads are easily adjustable and provide flexibility in terms of lamp technology and style. It can be paired with a wide selection of compatible LED lamps including our LED All glass reflector lamps that replicate the look of a halogen type lamp.

Order code	Max lamp wattage (W)	Input voltage (VAC)	Housing finish	Connector type	Compatible lamp
PAR LAMP HOLDER					
Gimbal type					
TG05N-N0250-A-J-BK	250	120	Black	J style	PAR38
TG05N-N0250-A-J-WH	250	120	White	J style	PAR38
TG07N-N0075-A-J-BK	75	120	Black	J style	PAR30SN
TG07N-N0075-A-J-WH	75	120	White	J style	PAR30SN
TG08N-N0050-A-J-BK	50	120	Black	J style	PAR20
TG08N-N0050-A-J-WH	50	120	White	J style	PAR20
UNIVERSAL LAMP HOLDER ¹					
TL95 - Mini Adjustable side swivel					
TL95-N0250-A-J-BK	-	120	Black	J style	Any E26 base lamp
TL95-N0250-A-J-WH	-	120	White	J style	Any E26 base lamp
TL10 - Adjustable socket and side swivel					
TL10-N0250-A-J-BK	-	120	Black	J style	Any E26 base lamp
TL10-N0250-A-J-WH	-	120	White	J style	Any E26 base lamp



TG05N



TG07N



TG08N



TL95



TL10



PAR20

PAR30

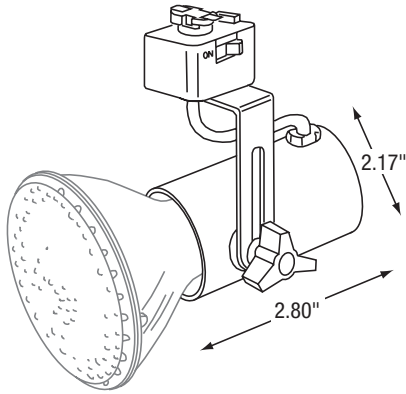
PAR38



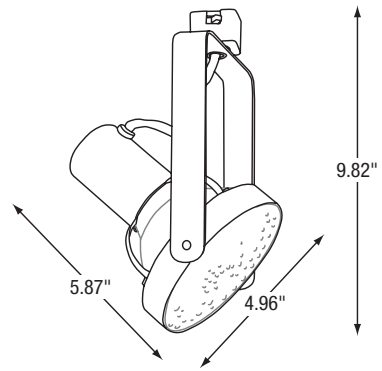
¹ "L" and "H" style are available as options.
Notes: All track heads come standard with "J" style adaptors.

Dimensions

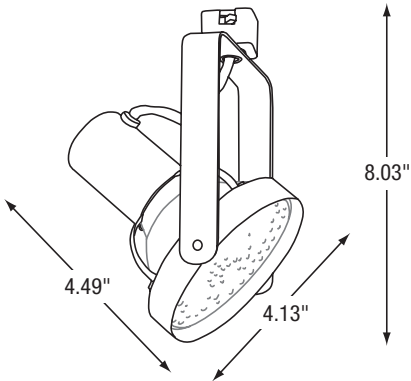
TL95



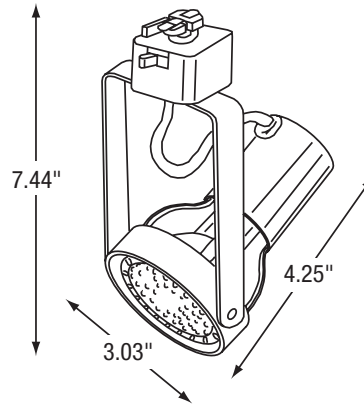
TG05N



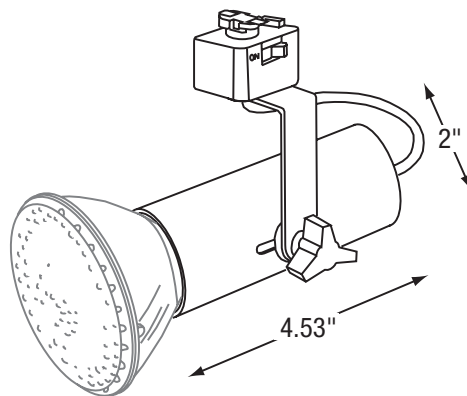
TG07N



TG08N



TL10



Tracks & Accessories

Order code	Product type	Color	Connector type
Accessories			
ST22-WH	Mini-connector conductive J track single circuit	White	J style
ST22-BK	Mini-connector conductive J track single circuit	Black	J style
ST23-WH	Three way joiner L shape for J track	White	J style
ST23-BK	Three way joiner L shape for J track	Black	J style
ST24-WH	T-connector for J track	White	J style
ST24-BK	T-connector for J track	Black	J style
ST25-WH	X-connector for J track	White	J style
ST25-BK	X-connector for J track	Black	J style
ST26-WH	Floating feed for J track	White	J style
ST26-BK	Floating feed for J track	Black	J style
ST28-WH	Flexible connector 35-325 degrees for J track	White	J style
ST28-BK	Flexible connector 35-325 degrees for J track	Black	J style
ST33-WH	Grounded outlet for J track	White	J style
ST33-BK	Grounded outlet for J track	Black	J style
ST34-WH	Track utility hook	White	J style
ST34-BK	Track utility hook	Black	J style
ST38-WH	End feed top access for J track	White	J style
ST38-BK	End feed top access for J track	Black	J style

Order code	Length (ft)	Input voltage (VAC)	Color	Connector type
Tracks¹				
STJ2-WH	2	120	White	J style
STJ2-BK	2	120	Black	J style
STJ4-WH	4	120	White	J style
STJ4-BK	4	120	Black	J style
STJ6-WH	6	120	White	J style
STJ6-BK	6	120	Black	J style
STJ8-WH	8	120	White	J style
STJ8-BK	8	120	Black	J style
STJ12-WH	12	120	White	J style
STJ12-BK	12	120	Black	J style



Tracks



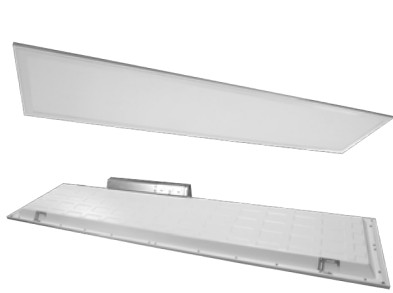
¹ Available also in 2 circuits.



LED Panel

- Consistent even dimming you can depend on
- Designed to fit seamlessly into existing T-bar systems or alternatively can be surface-mounted or suspended for a unique look
- Ideal replacement for traditional fluorescent fixtures
- Premium quality components ensure optimal heat dissipation, consistent color and longevity
- Optical system utilizes a unique combination of reflective and refractive optical components to achieve a uniform, comfortable appearance.

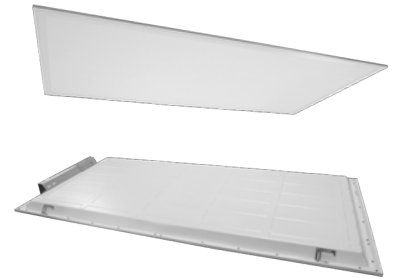
L3PNB LED BACKLIT PANEL



1' x 4'



2' x 2'



2' x 4'

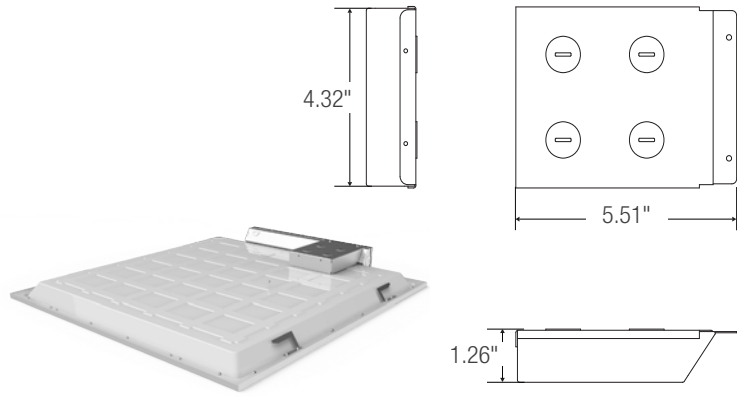
Order code	Model number	DLC unique ID	Watts (W)	Volts (VAC)	Color temp. (K) ²	Lumen output (lm) ³	Efficiency (lm/W)	CRI	Life L70 (hrs) ⁴	Dimming (Yes/No)	Power factor	THD (%)	Case qty (master)
DLC Standard													
1'X4'													
68328	L3PNB-1LS1-Q/40K	PLVXR1DUSSH2	40	120-347	4 000	4 500	113	>82	50 000	Yes	0.9	<25	2
68331	L3PNB-1LPS-Q/3C	PLS7UQALM10Z	20/30/40	120-347	3 500/4 000/5 000	2 500/3 600/4 500	110	>82	50 000	Yes	0.9	<25	2
2'X2'													
68329	L3PNB-2LS1-Q/40K	PL9ZGWJTR5JM	40	120-347	4 000	4 500	113	>82	50 000	Yes	0.9	<25	2
68332	L3PNB-2LPS-Q/3C	PLYFY4BLFCC	20/30/40	120-347	3 500/4 000/5 000	2 500/3 600/4 500	110	>82	50 000	Yes	0.9	<25	2
2'X4'													
68330	L3PNB-4LS1-Q/40K	PLY7U6SGIKQH	50	120-347	4 000	5 600	112	>82	50 000	Yes	0.9	<25	2
68333	L3PNB-4LPS-Q/3C	PLVCSI2FNTEF	30/40/50	120-347	3 500/4 000/5 000	3 700/4 700/5 600	110	>82	50 000	Yes	0.9	<25	2
DLC Premium													
1'X4'													
68599	L3PNB-1LPSP-Q/3C	PLI4EXA6KE04	20/25/30	120-347	3 500/4 000/5 000	2 700/3 300/3 800	127	≥82	50 000	Yes	0.9	20	2
2'X2'													
68600	L3PNB-2LPSP-Q/3C	PLYXAPSQK875	20/25/30	120-347	3 500/4 000/5 000	2 700/3 300/3 800	127	≥82	50 000	Yes	0.9	20	2
2'X4'													
68601	L3PNB-4LPSP-Q/3C	PLFT88U6HURK	30/35/40	120-347	3 500/4 000/5 000	4 100/4 600/5 100	127	≥82	50 000	Yes	0.9	20	2

Note: For details of lumen output in each wattage and color temperature, please refer to our L3PNB spec sheet.

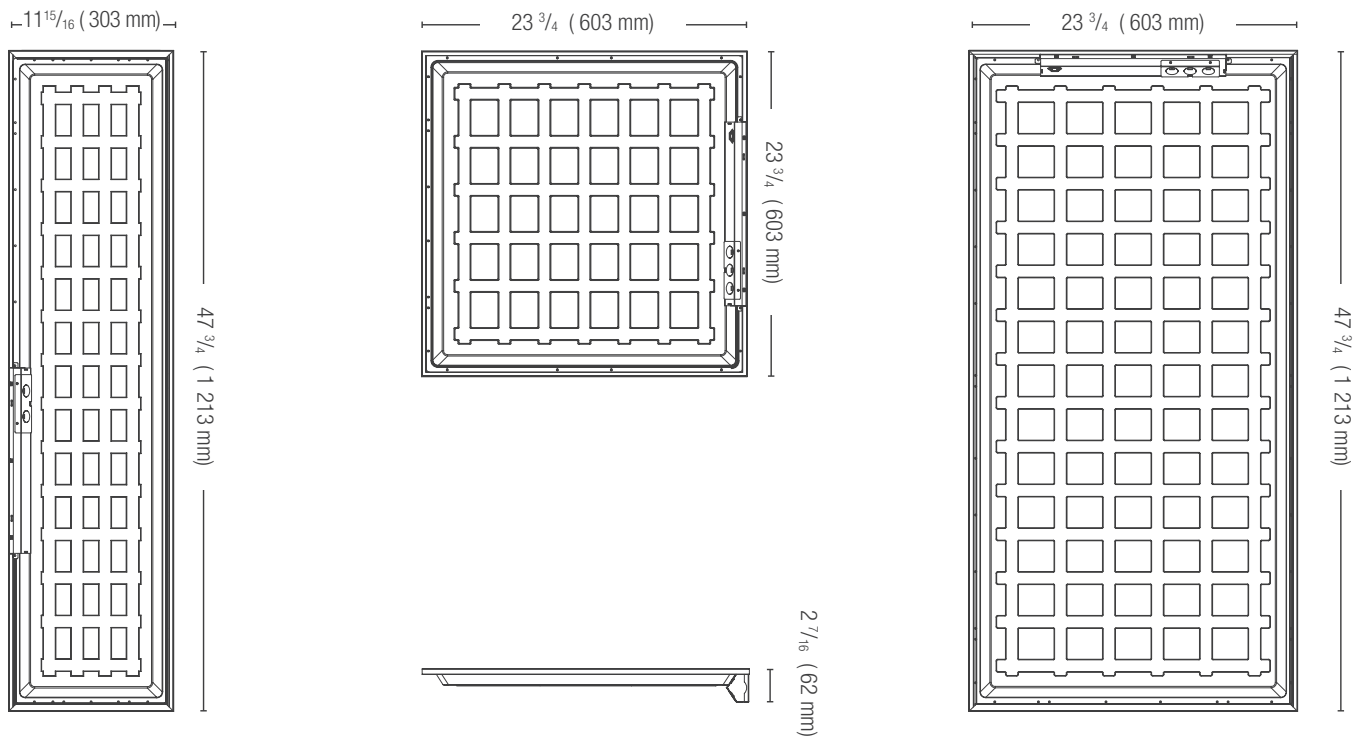


Accessories

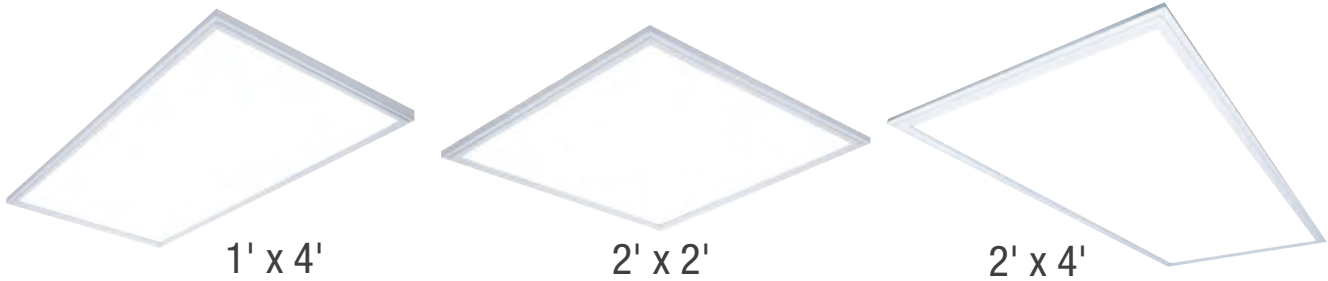
Order code	Type	Compatible with
63490	Drywall Kit	1X4
67164	Drywall Kit	2X2
63491	Drywall Kit	2X4
68455	Surface Mount Kit	1X4
68456	Surface Mount Kit	2X2
68457	Surface Mount Kit	2X4
68458	Suspension Kit	1X4, 2X2, 2X4
68523	Junction Box	1x4, 2x2, 2x4



Dimensions



LED Panel PRO Series

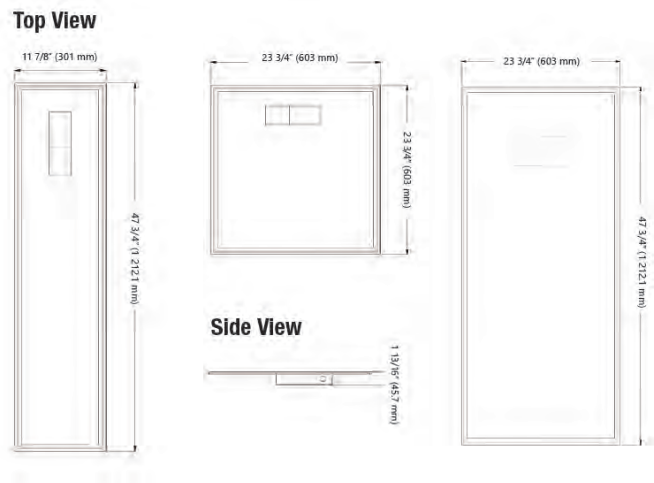


Order code	Model number	DLC unique ID	Watts (W)	Volts (VAC)	Color temp. (K) ²	Lumen output (lm) ²	Efficiency (lm/W)	CRI	Life L70 (hrs) ⁴	Dimming (Yes/No)	Power factor	THD (%)	Case qty (master)
1 X 4													
68160	L3PNP-1LS2-Q/30K	PLPE6BWJ1WOP	41	100-347	3 000	4 094	100	80 +	60 000	Yes	0.90	15	2
67211	PAN1X4/100-347/40W/35K/PRO/STD	PCXQJIRO	38	100-347	3 500	4 809	126	80 +	50 000	Yes	0.88	18	2
67212	PAN1X4/100-347/40W/40K/PRO/STD	PJRTL1RN	38	100-347	4 000	4 840	128	80 +	50 000	Yes	0.88	18	2
67213	PAN1X4/100-347/40W/50K/PRO/STD	PSBFSB8I	37	100-347	5 000	4 901	132	80 +	50 000	Yes	0.88	18	2
2 X 2													
68164	L3PNP-2LS2-Q/30K	PL0YI6WQDP3S	40	100-347	3 000	4 272	107	80 +	60 000	Yes	0.90	17	4
67214	PAN2X2/100-347/40W/35K/PRO/STD	PBH79LEQ	39	100-347	3 500	4 921	127	80 +	50 000	Yes	0.89	19	4
67215	PAN2X2/100-347/40W/40K/PRO/STD	PYG9555U	39	100-347	4 000	5 022	129	80 +	50 000	Yes	0.89	19	4
67216	PAN2X2/100-347/40W/50K/PRO/STD	PLXB26AN	39	100-347	5 000	5 225	133	80 +	50 000	Yes	0.89	20	4
2 X 4													
68168	L3PNP-4LS1-Q/30K	PLLBR4UBZ768	49	100-347	3 000	5 282	108	80 +	60 000	Yes	0.90	20	2
67217	PAN2X4/100-347/50W/35K/PRO/STD	PV0UVBCP	48	100-347	3 500	5 968	125	80 +	50 000	Yes	0.91	17	2
67218	PAN2X4/100-347/50W/40K/PRO/STD	PCYBZ9UO	48	100-347	4 000	6 073	126	80 +	50 000	Yes	0.91	17	2
67219	PAN2X4/100-347/50W/50K/PRO/STD	PIN1DTMZ	49	100-347	5 000	6 282	129	80 +	50 000	Yes	0.91	16	2

*Product availability is subject to change without notice. Please contact your Stanpro customer service representative to confirm inventory levels at time of order

Accessories

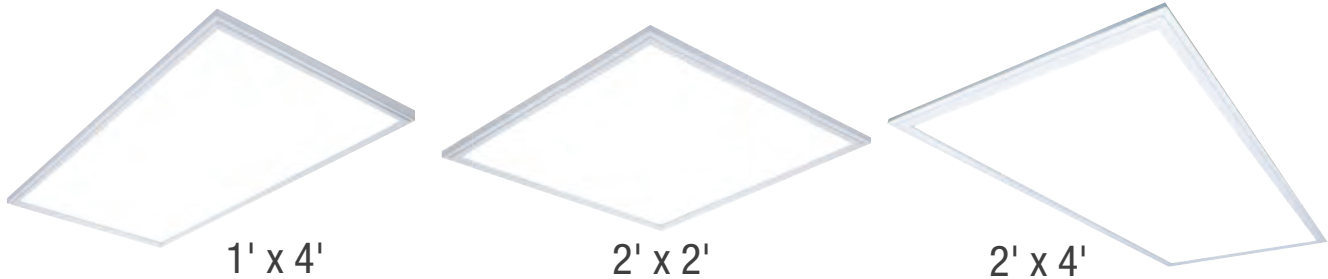
Order code	Model number	Type	Compatible with
64825	LPAN/ACC/2X2/SMK/STD	Surface mount kit	2' X 2'
64826	LPAN/ACC/1X4/SMK/STD	Surface mount kit	1' X 4'
64827	LPAN/ACC/2X4/SMK/STD	Surface mount kit	2' X 4'
64828	LPAN/ACC/2X2/SUSPENSION	Suspension cable	2' X 2'
64829	LPAN/ACC/1X4_2X4/SUSPENSION	Suspension cable	1' X 4', 2' X 4'
63490	DRYWALL KIT FOR 1X4 FRT	Drywall kit	1' X 4'
63491	DRYWALL KIT FOR 2X4 FRT	Drywall kit	2' X 4'



Lumen values are derived from photometric testing
For a complete list of compatible dimmers and DLC qualified products, please visit www.standardpro.com
¹DLC Standard



LED Panel L3PNC Series



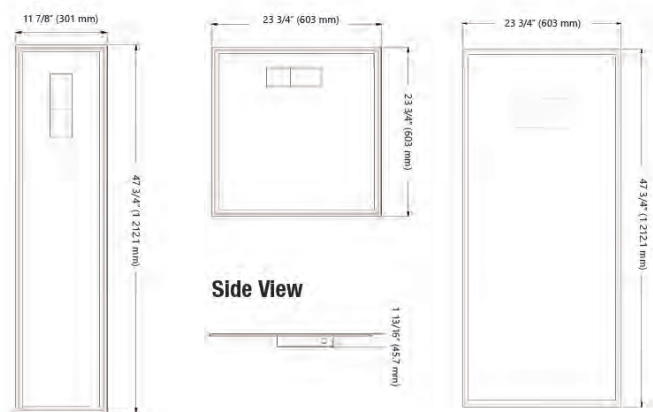
Order code	Model number	DLC unique ID	Watts (W)	Volts (VAC)	Color temp. (K) ²	Lumen output (lm) ²	Efficiency (lm/W)	CRI	Life L70 (hrs) ⁴	Dimming (Yes/No)	Power factor	THD (%)	Case qty (master)
1x4													
68149	L3PNC-1LS2-W/35K	PLMR1FYZ1QYE	38	100-277	3 500	4 102	108	80+	60 000	Yes	0.88	12.67	2
68150	L3PNC-1LS2-W/40K	PL2NTXXO12FU	38	100-277	4 000	4 235	111	80+	60 000	Yes	0.88	12.67	2
68151	L3PNC-1LS2-W/50K	PL7S890GI3AH	39	100-277	5 000	4 368	112	80+	60 000	Yes	0.90	13.28	2
2x2													
68152	L3PNC-2LS2-W/30K	PLTEZE55QMDI	40	100-277	3 000	4 272	107	80+	60 000	Yes	0.90	16.83	4
68154	L3PNC-2LS2-W/40K	PREJF5H4	39	100-277	4 000	4 178	107	80+	60 000	Yes	0.90	16.83	4
68155	L3PNC-2LS2-W/50K	PHV92SG8	40	100-277	5 000	4 323	108	80+	60 000	Yes	0.90	16.91	4
2x4													
68156	L3PNC-4LS1-W/30K	PLRLEI6EV524	49	100-277	3 000	5 077	104	80+	60 000	Yes	0.93	12.46	2
68157	L3PNC-4LS1-W/35K	PLW5EMPZBQBM	49	100-277	3 500	5 255	111	80+	60 000	Yes	0.93	13.8	2
68158	L3PNC-4LS1-W/40K	PLNNF8RCLJ47	49	100-277	4 000	5 312	108	80+	60 000	Yes	0.93	12.46	2
68159	L3PNC-4LS1-W/50K	PLXWDA1LNSCC	50	100-277	5 000	5 430	109	80+	60 000	Yes	0.92	14.71	2

*Product availability is subject to change without notice. Please contact your Stanpro customer service representative to confirm inventory levels at time of order

Accessories

Part number	Type	Compatible with
63490	Drywall kit	1'X4'
67164	Drywall kit	2'X2'
63491	Drywall kit	2'X4'
64826	Surface kit	1'X4'
64825	Surface kit	2'X2'
64827	Surface kit	2'X4'
64829	4.5' Aviation cable	1'X4', 2'X4'
64828	4.5' Aviation cable	2'X2'

Top View



Lumen values are derived from photometric testing
For a complete list of compatible dimmers and DLC qualified products,
please visit www.standardpro.com
¹DLC Standard



L3CBA LED Economic Recessed Center Basket



2'x2'



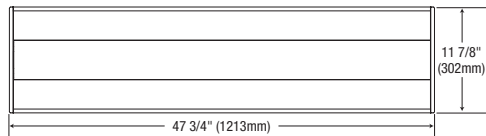
2'x4'

Order code	Model number	DLC unique ID	Watts (W)	Volts (VAC)	Color temp. (K) ²	Lumen output (lm) ³	Efficiency (lm/W)	CRI	Life L70 (hrs) ⁴	Tested hours LM-80 (hrs) ⁴	Dimming (Yes/No)	Power factor	THD (%)
1' X 4'													
68138	L3CBA-1	PL08TCM3PVXE	33	120-277	3 500	4 294	130	80+	201 000	6 000	Yes	0.96	4
68139	L3CBA-2	PLU30QVQBYMA	35	120-277	4 000	4 515	129	80+	201 000	6 000	Yes	0.90	10
2' X 2'													
68140	L3CBA-3	PLHHNE1JJ86B	35	120-277	3 500	4 243	121	80+	201 000	6 000	Yes	0.97	9
68141	L3CBA-4	PLEZ1GGYPC25	35	120-277	4 000	4 410	126	80+	201 000	6 000	Yes	0.90	10
2' X 4'													
68142	L3CBA-5	PLT9NDN58CN6	33	120-277	3 500	4 119	125	80+	201 000	6 000	Yes	0.94	5
68143	L3CBA-6	PLJMBF094X2D	34	120-277	4 000	4 284	126	80+	201 000	6 000	Yes	0.90	10

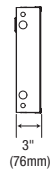
*Product availability is subject to change without notice. Please contact your Stanpro customer service representative to confirm inventory levels at time of order

1' x 4'

Back view

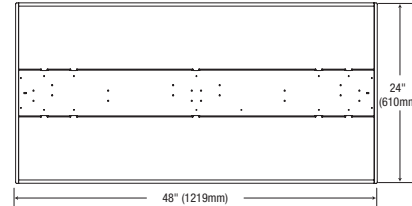


Side view



2' x 4'

Back view

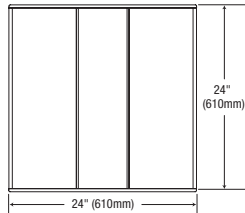


Side view



2' x 2'

Back view



Side view



Accessories

Part number	Type
CAS905-1X4	Surface mount kit 1'x4'
CAS905-2X2	Surface mount kit 2'x2'
CAS905-2X4	Surface mount kit 2'x4'
PF-DWK-1X4	Dry wall kit for 1'x4'
PF-DWK-2X2	Dry wall kit for 2'x2'
PF-DWK-2X4	Dry wall kit for 2'x4'
TRA347-120V-50VA	347 V Step down transformer



LED Recessed Troffer

L3TSB shallow recessed troffer is less than 4" deep and makes it the perfect solution for commercial applications where uniform and efficient lighting is required. The hinged door with rotary cam latches assures ease of maintenance.

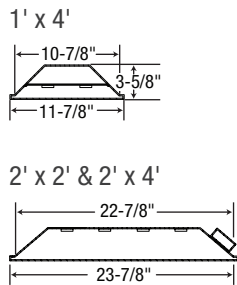


L3TSB

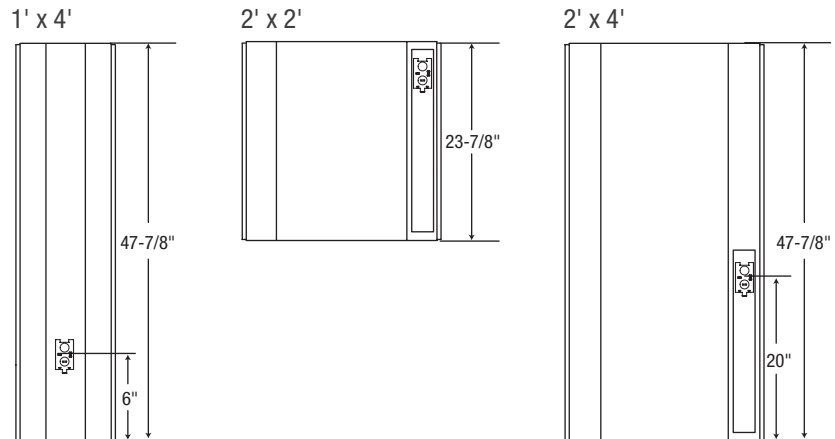
Part number	DLC unique ID	Watts (W)	Volts (VAC)	Color temp. (K)	Lumen output (lm)	Efficiency (lm/W)	CRI	Life L70 (hrs)	Tested hours LM-80 (hrs)	Dimming (Yes/No)	Power factor	THD (%)
1'X4'												
L3TSB-1LS2B-W/40K	P2KDWHCA	42	120-277	4 000	5 040	120	80+	> 60 000	10 000	Yes	0.90	10%
2'X2'												
L3TSB-2LS2B-W/40K	PQ5V3NAW	42	120-277	4 000	4 800	120	80+	> 60 000	10 000	Yes	0.90	20%
2'X4'												
L3TSB-4LS1B-W/40K	P6MJZYRP	42	120-277	4 000	5 120	128	80+	> 60 000	10 000	Yes	0.90	20%

*Product availability is subject to change without notice. Please contact your Stanpro customer service representative to confirm inventory levels at time of order

Cross section view



Base view



Accessories

Part number	Type
PF-DWK-1X4	Drywall kit for 1x4
PF-DWK-2X2	Drywall kit for 2x2
PF-DWK-2X4	Drywall kit for 2x4
CAS905-1X4	Surface kit for troffer led 1x4
CAS905-2X2	Surface kit for troffer led 2x2
CAS905-2X4	Surface kit for troffer led 2x4



LED Retrofit Kit

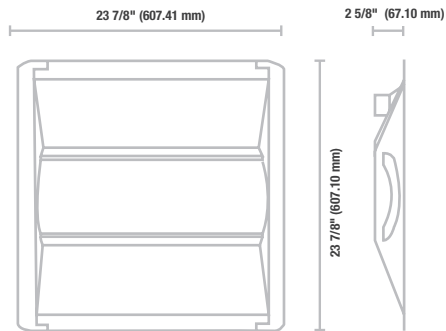
Use the conversion kit to modernize your existing fluorescent luminaires to convert and upgrade to LED. Improve the look of your ceiling with its architectural design without the need to break in the ceiling. Achieve instant savings by reducing installation and maintenance costs.

Installation can be done in less than 5 minutes!

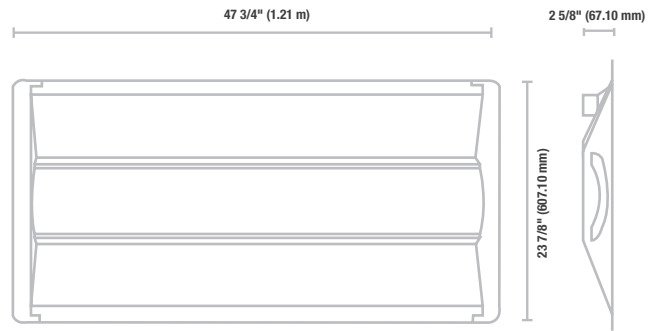


Order code	Model number	DLC unique ID	Watts (W)	Volts (VAC)	Color temp. (K)	Lumen output (lm)	Efficiency (lm/W)	CRI	Life L70 (hrs)	Tested hours LM-80 (hrs)	Dimming (Yes/No)	Power factor	THD (%)	Case qty (master)
2x2														
65362	LRT/RETRO/2X2/120-277V-DIM/40W/40/STD	PJ8RF26N	40	120-277	4 000	4 708	125	85	50 000	6 000	Yes	0.90	14	4
2x4														
65363	LRT/RETRO/2X4/120-277V-DIM/50W/40/STD	PTD8N6WP	50	120-277	4 000	6 047	130	85	50 000	6 000	Yes	0.92	12	4

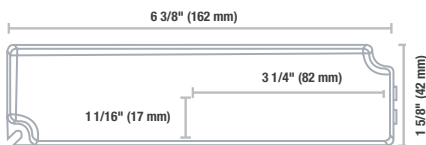
*Product availability is subject to change without notice. Please contact your Stanpro customer service representative to confirm inventory levels at time of order



2' x 2'



2' x 4'



LED Driver

Lumen values are derived from photometric testing
For a complete list of compatible dimmers and DLC qualified products, please visit www.standardpro.com

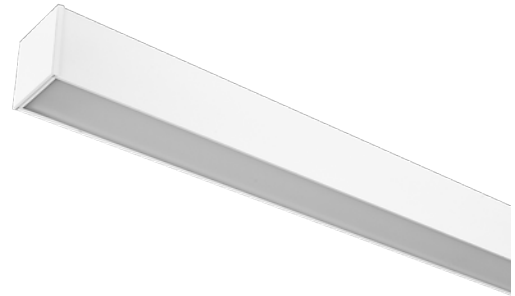




LED Linear

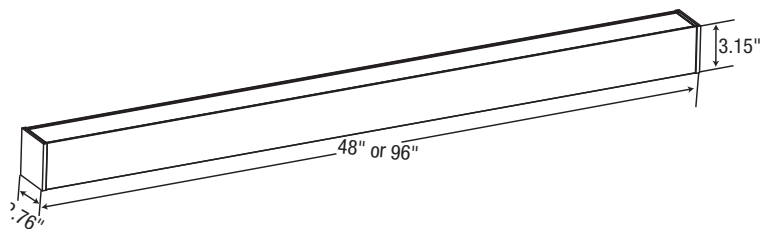
Our linear line is the best choice to replace traditional fluorescent strip luminaires with our integrated LED solutions. Modernize your application with these efficient alternatives to traditional technology.

KOLIKA - L1KCL Suspended LED GEN. 1



Our Kolika Quick Ship LED offers an energy-efficient, low maintenance luminaire that accommodates most design applications. The light weight and easy to install L1KCL is designed to offer maximum energy savings, substantially reduced maintenance costs and superior quality.

Model number	DLC unique ID	Watts (W)	Volts (VAC)	Color temp. (K)	Lumen (lm) ²	Efficiency (lm/W)	CRI	Life L70 (hrs)	Finish	Dimming (Yes/No)	Power factor	THD (%)	Case qty (master)
4"													
L1KCL-4LS1/35K	-	23	120-277	3 500	2 500	109	80+	50 000	White	Yes	>0.9	<20	6
L1KCL-4LS1/40K	-	23	120-277	4 000	2 500	109	80+	50 000	White	Yes	>0.9	<20	6
8"													
L1KCL-8LS1/35K	PLUSL93ZBW72	85	120-277	3 500	9 900	116	80+	50 000	White	Yes	>0.9	<20	4



Accessories

Part number	Type
KIT-GEN-CK	Joiner kit for row mounting ¹

¹ Please ensure to order a new kit for every fixture added.

Lumen values are derived from photometric testing
For a complete list of compatible dimmers and DLC qualified products, please visit www.standardpro.com



KOLIKA - L1KCL 3CCT selectable Suspended LED GEN. 2

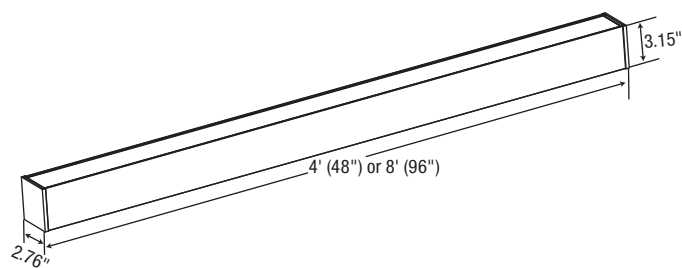


The KOLIKA luminaires offer a sleek and lightweight design, making it the perfect choice for creating a modern atmosphere in any office, commercial or retail space.

These 4' and 8' luminaires are available in a black or white matte finish and features the versatility to change the color temperature using a simple switch located inside the luminaire.

The KOLIKA GEN2 series also includes a stylish up and down light option, which provides a lovely indirect diffused light with more light directed downward to light up the desired space efficiently.

Order code	Model number	Watts (W)	Volts (VAC)	Colour temp. (K)	Lumen (lm)	Efficiency (lm/W)	CRI	Life L70 (hrs)	Finish	Power factor	THD (%)	Case qty (master)
4'												
Direct												
68576	L1KCL-G2-4LS2-3C-WH	40	120-277	3 000/3 500/4 000	4 844	121	80+	54 000	White	>0.9	<15	6
68577	L1KCL-G2-4LS2-3C-BK	40	120-277	3 000/3 500/4 000	4 844	121	80+	54 000	Black	>0.9	<15	6
Direct/Indirect												
68578	L1KCL-G2-4LS2U-3C-WH	40	120-277	3 000/3 500/4 000	4 361 ⁵	109	80+	54 000	White	>0.9	<15	6
68579	L1KCL-G2-4LS2U-3C-BK	40	120-277	3 000/3 500/4 000	4 361 ⁵	109	80+	54 000	Black	>0.9	<15	6
8'												
Direct												
68580	L1KCL-G2-8LS1-3C-WH	80	120-277	3 000/3 500/4 000	9 760	122	80+	54 000	White	>0.9	<15	4
68581	L1KCL-G2-8LS1-3C-BK	80	120-277	3 000/3 500/4 000	9 760	122	80+	54 000	Black	>0.9	<15	4
Direct/Indirect												
68582	L1KCL-G2-8LS1U-3C-WH	80	120-277	3 000/3 500/4 000	8 800 ⁵	110	80+	54 000	White	>0.9	<15	4
68583	L1KCL-G2-8LS1U-3C-BK	80	120-277	3 000/3 500/4 000	8 800 ⁵	110	80+	54 000	Black	>0.9	<15	4



Accessories

Order code	Part number	Type	Compatible with
68584	KIT-CK2	Continuous kit for row mounting	L1KCL Gen2 Only

* Please ensure to order a new kit for every fixture added.

Lumen values are derived from photometric testing
For a complete list of compatible dimmers and DLC qualified products, please visit www.standardpro.com



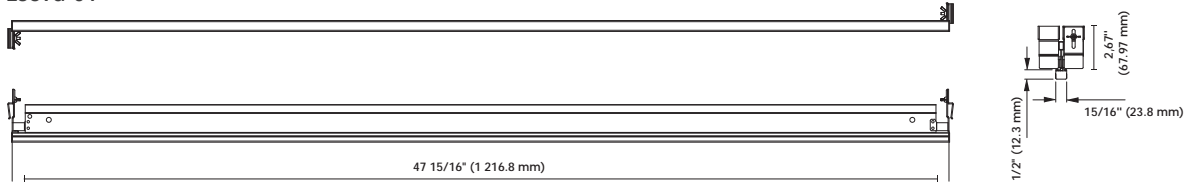
T-grid LED linear light L3CTG

The L3CTG is available in 2' and 4' which can be compatible to 15/16" standard suspended ceilings system. This product offers lighting designers more freedom to design since the LED module can follow the ceiling elements in many different ways. It is suitable for commercial and architectural environments that require a unique and elegant lighting design.

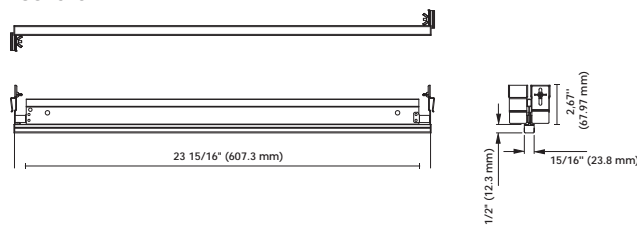


Order code	Model number	DLC unique ID	Length (in)	Width (in)	Watts (W)	Color temp. (K)	Lumen (lm)	Efficiency (lm/W)	CRI	Life L70 (hrs)	Cable rating	Lens finish	Dimming (Yes/No)	Power factor	THD (%)	Case qty (master)
68025	L3CTG-0215LS1/35K	PL5RUZGG1HAH	2	15/16	10	3 500	1 260	126	80+	50 000	FT6	Frosted	Yes	>0.9	<20	18
68026	L3CTG-0215LS1/40K	PLA2M5KQG1TF	2	15/16	10	4 000	1 320	132	80+	50 000	FT6	Frosted	Yes	>0.9	<20	18
68027	L3CTG-0415LS2/35K	PLBJ29RKP4E	4	15/16	20	3 500	2 540	127	80+	50 000	FT6	Frosted	Yes	>0.9	<20	18
68028	L3CTG-0415LS2/40K	PLERYM5Z9ZTU	4	15/16	20	4 000	2 670	133	80+	50 000	FT6	Frosted	Yes	>0.9	<20	18

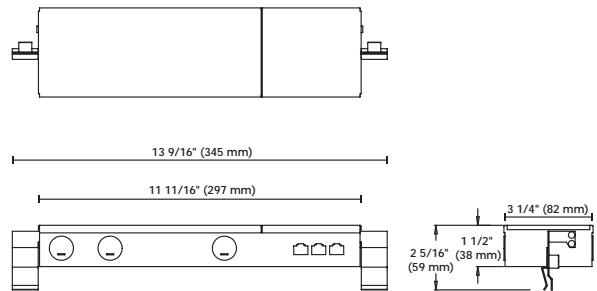
L3CTG-04



L3CTG-02



POWER SUPPLY



Lumen values are derived from photometric testing
For a complete list of compatible dimmers and DLC qualified products, please visit www.standardpro.com



LED Strip with Lens

L2STL and LSS Series

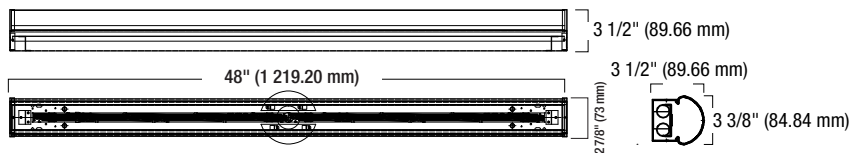
GEN. 1



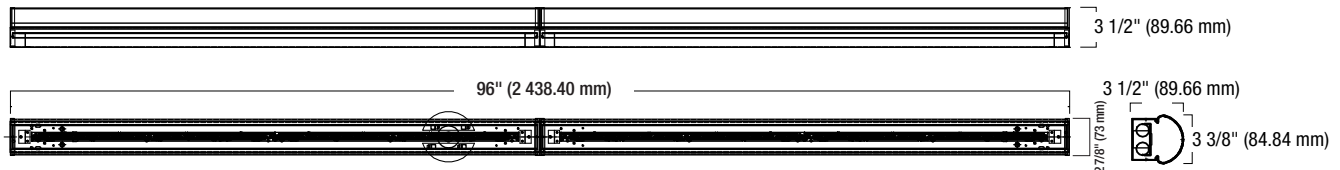
Order code	Model number	DLC unique ID	Watts (W)	Volts (VAC)	Color temp. (K)	Lumen output (lm)	Efficiency (lm/W)	CRI	Life L70 (hrs)	Tested hours LM-80 (hrs)	Dimming (Yes/No)	Power factor	THD (%)	Case qty (master)
48"														
L2STL-48LS2-W/40K		PF78RPQW	22	120-277	4 000	2 530	115	80	100 000	9 000	Yes	0.90	20	6
96"														
L2STL-96LS2-W/35K		P86B5K9R	40	120-277	3 500	4 550	114	80	100 000	9 000	Yes	0.90	20	1
66873	LSS/8FT/65W/50K/120-277/A1/STD	PQFLA4I	65	120-277	5 000	8 645	133	80	100 000	6 000	Yes	0.90	10	1

* Product availability is subject to change without notice. Please contact your Stanpro customer service representative to confirm inventory levels at time of order.

48"



96"



Accessories

Order code	Model number	Type	Compatible with
LSS Series			
66741	LST4/ACC/WG/STD	Wireguard kit 48"	48" LSS & L2STL
66742	LST8/ACC/WG/STD	Wireguard kit 96"	96" LSS & L2STL
67340	LST/ACC/BACKET/STD	Continuous row mounting aligner for suspended installation	All LSS & L2STL
L2STL Series			
HAR766		V-Hooks (Set of 2)	All LSS & L2STL
BKT604		Continuous row mounting aligner for suspended installation	All LSS & L2STL
WGD055-48-SL		Wireguard kit 48"	All LSS & L2STL ¹
BKT347		Suspension kit - 2 chains (1 metre)	All LSS & L2STL
LEN261-4		Replacement lens 48"	All LSS & L2STL ¹

¹ For 96" luminaires, order 2.

Lumen values are derived from photometric testing
For a complete list of compatible dimmers and DLC qualified products, please visit www.standardpro.com



LED Strip with Lens

L2STN Series

GEN. 2



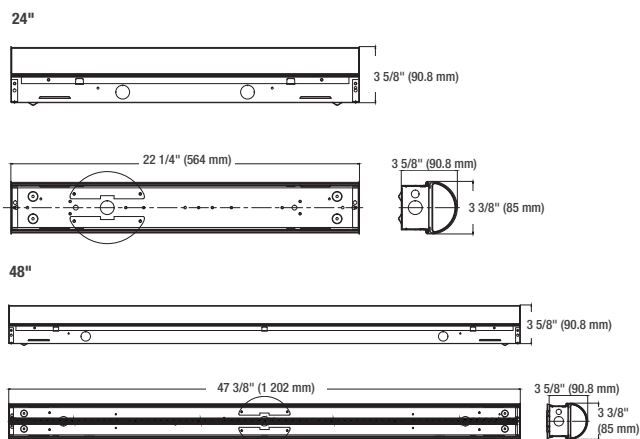
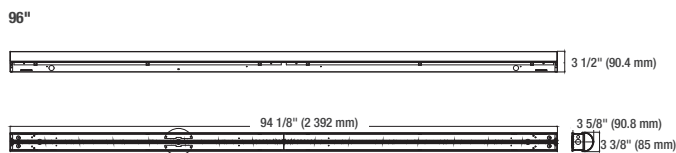
The L2STN Series is a great option for retrofitting your traditional fluorescent linear luminaires to balance performance, aesthetics, and cost. These high-quality LED strip lights are equipped with a frosted lens that diffuses the light comfortably, and are ideal for a wide range of commercial and industrial applications.

Order code	Model number	DLC Unique ID	Watts (W)	Volts (VAC)	Color temp. (K)	Lumen output (lm)	Efficiency (lm/W)	CRI	Life L70 (hrs)	Tested hours LM80 (hrs)	Dimming (Yes/No)	Power factor	THD (%)	Case qty (master)
24"														
68119	L2STN-24LS1-Q/40K	PLI0ATDZH0Z0FM	20	120-347	4 000	2 620	131	80+	162 000	9 000	Yes	0.90	10	6
24" CCT Selectable														
68539	L2STN-24LS1-Q/3C	PLBX7XSC4FM8	20	120-347	3 500/4 000/5 000	2 640	132	80+	190 000	9 000	Yes	0.90	10	6
48"														
68121	L2STN-48LS2-Q/35K	PLEAUS6XRURS	30	120-347	3 500	3 992	133	80+	162 000	9 000	Yes	0.90	10	6
68123	L2STN-48LS3-Q/40K	PL7TPKU3RUVA	35	120-347	4 000	4 585	131	80+	162 000	9 000	Yes	0.90	10	6
68124	L2STN-48LS4-Q/35K	PLRWPCQ6T89B	40	120-347	3 500	5 088	127	80+	162 000	9 000	Yes	0.90	10	6
48" CCT and Power Selectable														
68540	L2STN-48LP40-Q/3C	PLSE5ZNSCI2I	18/30/40	120-347	3 500/4 000/5 000	2 610/4 170/5 320	132	80+	190 000	9 000	Yes	0.90	10	6
96"														
68127	L2STN-96LS1-Q/35K	PLK4L4CCS2LN	65	120-347	3 500	8 076	124	80+	162 000	9 000	Yes	0.90	10	1
68128	L2STN-96LS1-Q/40K	PL3LU2HFLPQI	65	120-347	4 000	8 515	131	80+	162 000	9 000	Yes	0.90	10	1
68130	L2STN-96LS2-H/35K	PLDN73W1YN1V	75	347	3 500	9 750	130	80+	162 000	9 000	Yes	0.90	10	1
68133	L2STN-96LS2-W/35K	PL92RHE5UIOJ	75	120-277	3 500	9 750	130	80+	162 000	9 000	Yes	0.90	10	1
68134	L2STN-96LS2-W/40K	PLM5R034QEPG	75	120-277	4 000	9 825	131	80+	162 000	9 000	Yes	0.90	10	1
96" CCT and Power Selectable														
68541	L2STN-96LP90-Q/3C	PLEXJMJ8U1UT	65/75/90	120-347	3 500/4 000/5 000	9 230/10 425/12 240	135	80+	190 000	9 000	Yes	0.90	10	1

* Product availability is subject to change without notice. Please contact your Stanpro customer service representative to confirm inventory levels at time of order.

Accessories

Order code	Type
68676	Suspension kit - 2 chains (1 metre)
68677	Continuous row mounting connector
68678	Replacement lens 24"
68679	Replacement lens 48"
68680	Replacement lens 96"
68856	Wireguard kit 24"
68622	Wireguard kit 48"
68857	Wireguard kit 96"



Lumen values are derived from photometric testing
For a complete list of compatible dimmers and DLC qualified products,
please visit www.standardpro.com



LED Slim Strip with Lens L2SSS Series

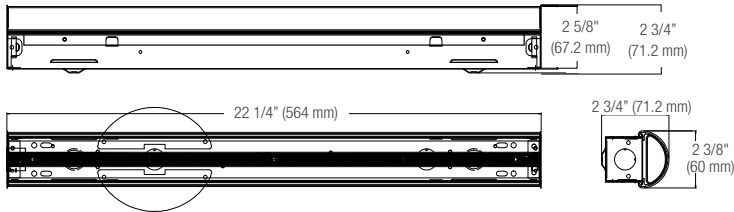


A high performance lensed LED strip that provides smooth and uniform lighting. Ideal for commercial, industrial, retail, or residential applications. Its slim housing allows it to be installed in restricted areas such as coves and display applications. Junction box cover included.

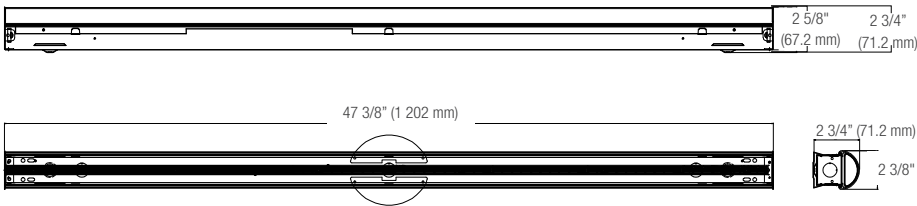
Order code	Model number	DLC unique ID	Watts (W)	Volts (VAC)	Color temp. (K)	Lumen output (lm)	Efficiency (lm/W)	CRI	Life L70 (hrs)	Tested hours LM-80 (hrs)	Dimming (Yes/No)	Power factor	THD (%)	Case qty (master)
24"														
68114	L2SSS-24LS1-W/40K	PLJLZP6VZ0XF	20	120-277	4 000	2 620	131	80+	120 000	6 000	Yes	0.90	10	9
48"														
68115	L2SSS-48LS1-W/40K	PL3NDY8B3PWQ	30	120-277	4 000	3 900	130	80+	120 000	6 000	Yes	0.90	10	9
68116	L2SSS-48LS2-W/40K	PLXZ6E4GTSPM	46	120-277	4 000	5 888	128	80+	120 000	6 000	Yes	0.90	10	9
96"														
68117	L2SSS-96LS1-W/40K	PLNM15SV4DKJ	75	120-277	4 000	9 750	130	80+	120 000	6 000	Yes	0.90	10	1
68118	L2SSS-96LS2-W/40K	PLDX5VXUVR22	90	120-277	4 000	11 880	132	80+	120 000	6 000	Yes	0.90	10	1

* Product availability is subject to change without notice. Please contact your Stanpro customer service representative to confirm inventory levels at time of order.

24"



48"



96"



Accessories

Order code	Type
68698	V-Hook kit
68697	10' Aviation cable kit
68689	Push-in metal plug 7/8"
68685	Wireguard kit 24"
68686	Wireguard kit 48"
68687	Wireguard kit 96"
68688	Continuous row mounting aligner for suspended installation
68682	Replacement lens 24"
68683	Replacement lens 48"
68684	Replacement lens 96"

Lumen values are derived from photometric testing. For a complete list of compatible dimmers and DLC qualified products, please visit www.standardpro.com



Tri-Level LED Strip with Lens L2TLV Series

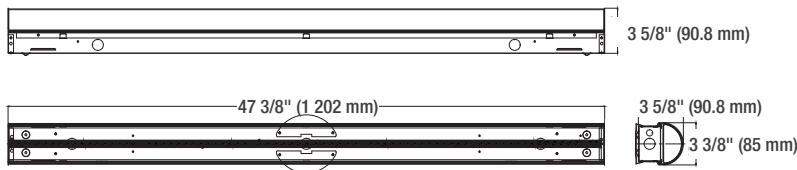
The L2TLV series LED strip lights feature an integrated tri-level microwave motion sensor that regulates light levels according to the occupancy of a space. These luminaires have been specially designed to prevent energy loss and to increase energy savings, by allowing the end-user to sensibly manage the degree of luminosity in applications or spaces that require continuous lighting, such as hallways and common areas.



Order code	Model number	DLC unique ID	Watts (W)	Volts (VAC)	Color temp. (K)	Lumen output (lm)	Efficiency (lm/W)	CRI	Life L70 (hrs)	Tested hours LM-80 (hrs)	Power factor	THD (%)	Case qty (master)
48"													
68023	L2TLV-48LS1-Q/40K	PLCEAI2KC11S	35	120-347	4 000	4 585	131	80+	155 000	9 000	0.90	10	6
48" CCT and Power Selectable													
68543	L2TLV-48LP40-Q/3C	PLCJNFO1TI90	18/30/40	120-347	3 500/4 000/5 000	2 610/4 170/5 320	132	80+	190 000	9 000	0.90	10	6
96"													
68544	L2TLV-96LS1-Q/40K	PLVWQ8IJ7RRZ	65	120-347	4 000	8 645	133	80+	190 000	9 000	0.90	10	1
96" CCT and Power Selectable													
68545	L2TLV-96LP90-Q/3C	PL00HLOJS4M0	65/75/90	120-347	3 500/4 000/5 000	9 230/10 425/12 240	135	80+	190 000	9 000	0.90	10	1

* Product availability is subject to change without notice. Please contact your Stanpro customer service representative to confirm inventory levels at time of order.

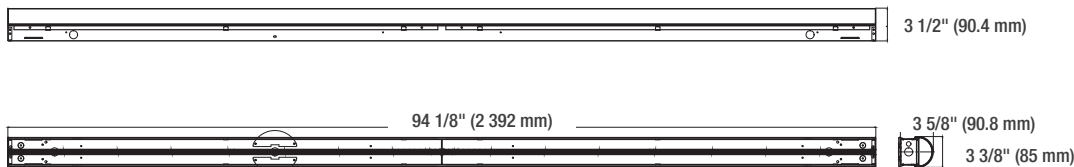
48"



Accessories

Order code	Type
68676	Suspension kit - 2 chains (1 metre)
68677	Continuous row mounting connector
68679	Replacement lens 48"
68680	Replacement lens 96"
68622	Wireguard kit 48"
68857	Wireguard kit 96"
68681	Remote control for motion sensor

96"



Lumen values are derived from photometric testing
For a complete list of compatible dimmers and DLC qualified products,
please visit www.stanpro.com



LED Wrap

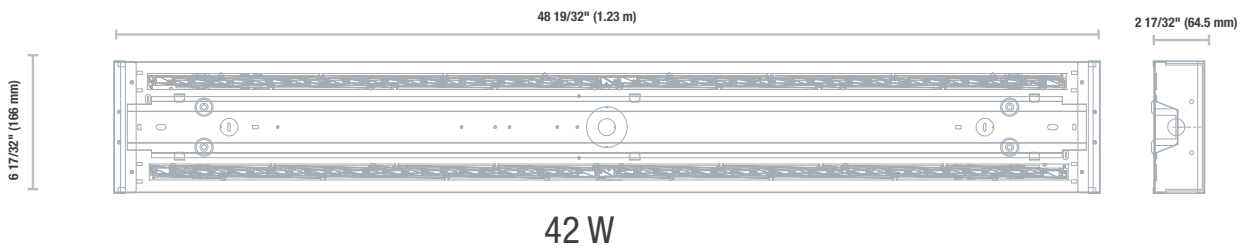
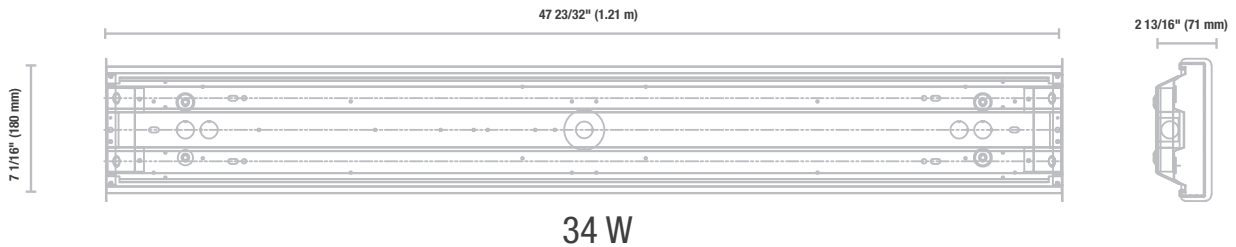


34 W



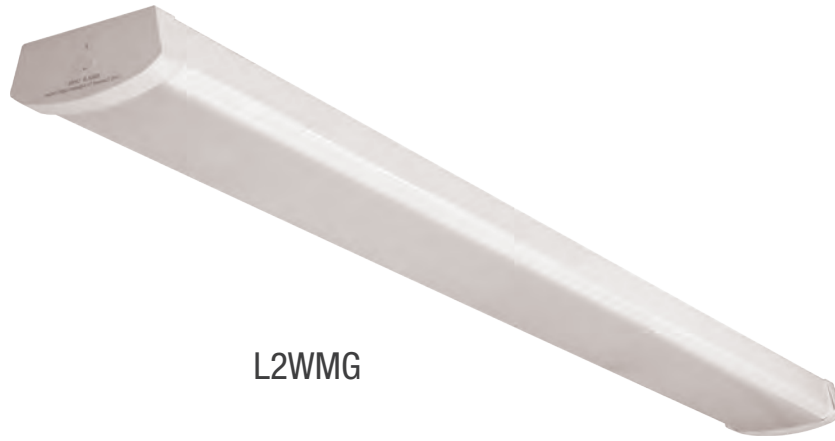
42 W

Order code	Model number	DLC unique ID	Watts (W)	Volts (VAC)	Color temp. (K)	Lumen (lm)	Efficiency (lm/W)	CRI	Life L70 (hrs)	Tested hours LM-80 (hrs)	Dimming (Yes/No)	Power factor	THD (%)	Case qty (master)
66174	LSW/4FT/34W/40K/120-277/A1/STD	PLGIM0GJ650J	34	120-277	4 000	4 420	130	80	50 000	6 000	Yes	0.90	10	4
68496	LWR4-48-1-G2	PL3CST22N8ST	38	120-277	4 000	5 092	134	80	54 000	9 000	Yes	0.90	20	4



Lumen values are derived from photometric testing
For a complete list of DLC qualified products, please visit www.standardpro.com

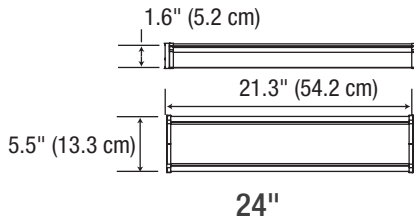




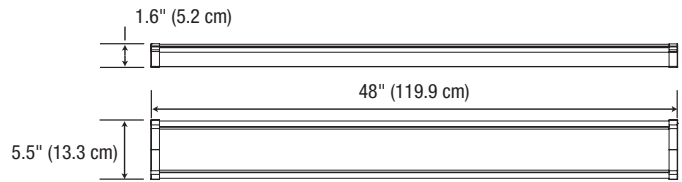
L2WMG

Order code	Model number	DLC unique ID	Watts (W)	Volts (VAC)	Color temp. (K)	Lumen output (lm)	Efficiency (lm/W)	CRI	Life L70 (hrs)	Tested hours LM-80 (hrs)	Dimming (Yes/No)	Power factor	THD (%)	Case qty (master)
Dimmable														
48"														
68377	L2WMG-48-1-G2	P5HN6NQ9	47	120-277	4000	5 420	116	84	> 54 000	9 000	Yes ¹	0.90	13	6
Non Dimmable														
24"														
68136	L2WMG-24-1	PLA98WZM07YZ	27	120-277	4 000	2 878	106	84	> 54 000	9 000	No	0.90	10	12
48"														
68137	L2WMG-48-1	PL6A37IC1S7D	47	120-277	4 000	5 043	106	84	> 54 000	6 000	No	0.93	15	6

¹ Dimming is not applicable to continuous mounting



24"



48"

Accessories

Part number	Type
68858	Linkable connector no cable
68859	12" connector
68860	4' connector
68861	6' connector
68862	8' connector
68863	4' replacement lens

Included In The Box



Included Connectors



Luminaire with Linkable Connector



Luminaire with 12" Linkable Cable Connector



dimmmable
fixture



quick
ship



LED
fixture



ICES
005



damp
location



5
years
warranty



Intertek



DLC 0-7E

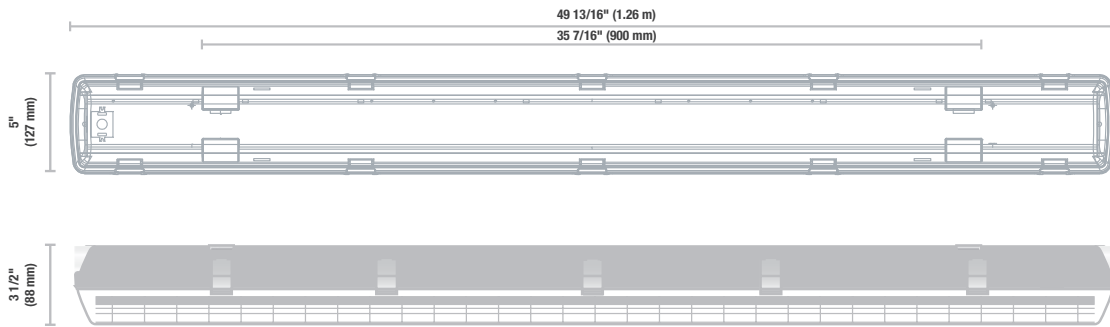
LED Vapor Tight

The Vapor Tight series is an enclosed luminaire that combines state-of-the-art LED technology with an IP rated vapor tight housing. This luminaire is protected against extreme temperatures, the intrusion of dust and jets of waters projected from any direction. Its durable construction provides protection against harsh environmental conditions and corrosion.



- Impact resistant polycarbonate construction
- Integrated durable gasket that seals the entire enclosure
- UV stabilized lens

Order code	Model number	Watts (W)	Volts (VAC)	Color temp. (K)	Lumen output (lm)	CRI	Life L70 (hrs)	Case qty (master)
66196	LSV/N/35W/40K/120-277/DD1/FP/A1/STD	35	120-277	4 000	4 550	80	100 000	4
66876	LSV/N/35W/50K/120-277/DD1/FP/A1/STD	35	120-277	5 000	4 585	80	100 000	4
66197	LSV/N/40W/40K/120-277/DD1/FP/A1/STD	40	120-277	4 000	5 200	80	100 000	4
66877	LSV/N/40W/50K/120-277/DD1/FP/A1/STD	40	120-277	5 000	5 240	80	100 000	4
67075	LVT4/120-277/65W/40K/FR/A2/STD	65	120-277	4 000	8 450	80	100 000	4
67076	LVT4/120-277/65W/50K/FR/A2/STD	65	120-277	5 000	8 515	80	100 000	4
66198	LSV/N/35W/40K/347/DD1/FP/A1/STD	35	347	4 000	4 550	80	100 000	4
66199	LSV/N/52W/40K/347/DD1/FP/A1/STD	52	347	4 000	6 760	80	100 000	4
67077	LVT4/347/65W/40K/FR/A2/STD	65	347	4 000	8 580	80	100 000	4
67078	LVT4/347/65W/50K/FR/A2/STD	65	347	5 000	8 775	80	100 000	4



Accessories

Order code	Model number	Type	Compatible with
66878	LSV/N/LENS/FP/STD	Replacement Lens	All LSV/N and LVT4
67079	LVT4/ACC/STAINLESS STEEL CLIPS/STD	Stainless Steel Clips	All LSV/N and LVT4
67080 ¹	LVT4/ACC/PLASTIC CLIPS/STD	Plastic Clips	All LSV/N and LVT4
67341	LVT4/ACC/BRACKET/STD	Mounting Bracket	All LSV/N and LVT4



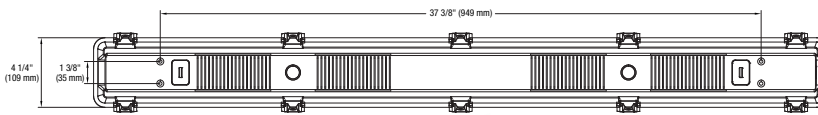
Lumen values are derived from photometric testing
 For a complete list of compatible dimmers and DLC qualified products, please visit www.standardpro.com
¹ Non-stocked items, contact Stanpro for lead time and minimum order quality.





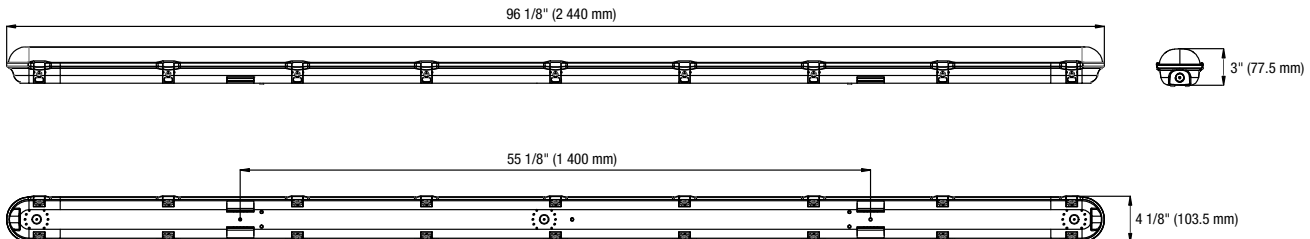
VTL4-L

Order code	Model number	DLC unique ID	Watts (W)	Volts (VAC)	Color temp. (K)	Lumen output (lm)	Efficiency (lm/W)	CRI	Life L70 (hrs)	Tested hours LM-80 (hrs)	Dimming	Power factor	THD (%)
4'													
68319	VTL4-LS3-W/3C	PLDM6AU3WNEG	42	120-277	3 CCT (35K, 40K, 50K)	5 450	130	80+	>50 000	140 000	0-10 V	0.9951	7.58
68320	VTL4-LS4-W/3C	PLW4QC7UOLNS	67	120-277	3 CCT (35K, 40K, 50K)	8 560	128	80+	>50 000	140 000	0-10 V	0.928	13.56
68322	VTL4-LS3-Q/3C	PLAKT91G7RKG	42	120-347	3 CCT (35K, 40K, 50K)	5 450	130	80+	>50 000	140 000	0-10 V	0.9981	9.53
68323	VTL4-LS4-Q/3C	PLHKWBBWLJ17	65	120-347	3 CCT (35K, 40K, 50K)	8 550	132	80+	>50 000	140 000	0-10 V	0.9956	9.37



VTL8-L

Order code	Model number	Watts (W)	Volts (VAC)	Color temp. (K)	Lumen output (lm)	Efficiency (lm/W)	CRI	Life L70 (hrs)	Power factor	THD (%)
8'										
68362	VTL8-LS1-Q/40K	67	120-347	4 000	9 089	136	80+	>50 000	0.986	10.63
68363	VTL8-LS1-Q/50K	68	120-347	5 000	9 300	137	80+	>50 000	0.980	10.55
68484	VTL8-LS1A-Q/40K	88	120-347	4 000	11 860	135	80+	>50 000	0.913	15.52
68485	VTL8-LS1A-Q/50K	88	120-347	5 000	12 257	139	80+	>50 000	0.910	15.53
68486	VTL8-LS3-Q/40K	116	120-347	4 000	15 594	134	80+	>50 000	0.961	16.11
68487	VTL8-LS3-Q/50K	116	120-347	5 000	15 717	135	80+	>50 000	0.957	15

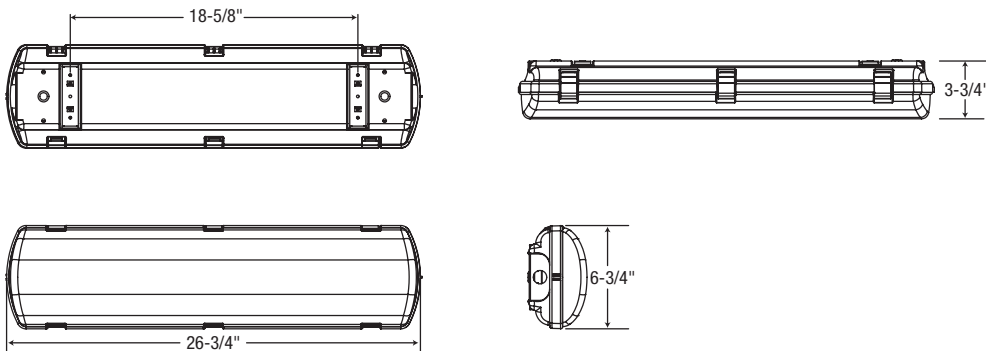


Lumen values are derived from photometric testing. For a complete list of compatible dimmers and DLC qualified products, please visit www.standardpro.com



VT2-L

Part number	Watts (W)	Volts (VAC)	Color temp. (K)	Lumen output (lm)	Efficiency (lm/W)	CRI	Life L70 (hrs)	Tested hours LM-80 (hrs)	Dimming (V)	Power factor	THD (%)
VT2-LS1-W/40K	20	120-277	4 000	2 400	120	80+	180 500	10 000	0-10	0.99	7



Accessory

Part number	Type
HAR06-TPBIT-UDR	Tamper proof 2" Steel Power Bit

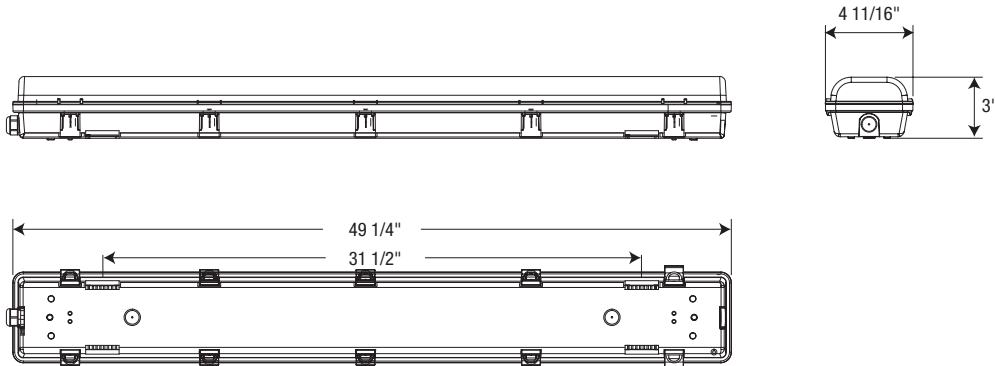
Lumen values are derived from photometric testing
For a complete list of compatible dimmers and DLC qualified products, please visit www.standardpro.com





VTS4-L

Part number	DLC unique ID	Watts (W)	Volts (VAC)	Color temp. (K)	Lumen output (lm)	Efficiency (lm/W)	CRI	Life L70 (hrs)	Tested hours LM-80 (hrs)	Dimming (V)	Power factor	THD (%)
VTS4-LS3-W/40K	PLQX3I2PKNQS	43	120-277	4 000	5 125	120	80+	170 000	6 000	0-10	0.92	24
VTS4-LS3-W/50K	PLIEAA280B7E	43	120-277	5 000	5 427	126	80+	170 000	6 000	0-10	0.92	23
VTS4-LS3-H/40K	PLNF2JV9GJX3	41	347	4 000	5 039	123	80+	170 000	6 000	0-10	0.95	8



Accessories

Part number	Type
HAR1023	Aircraft suspension cables (10')
CAS928-LATCH-SS ¹	Stainless steel latch (1pc)

¹ 10 Latches are required per fixture.



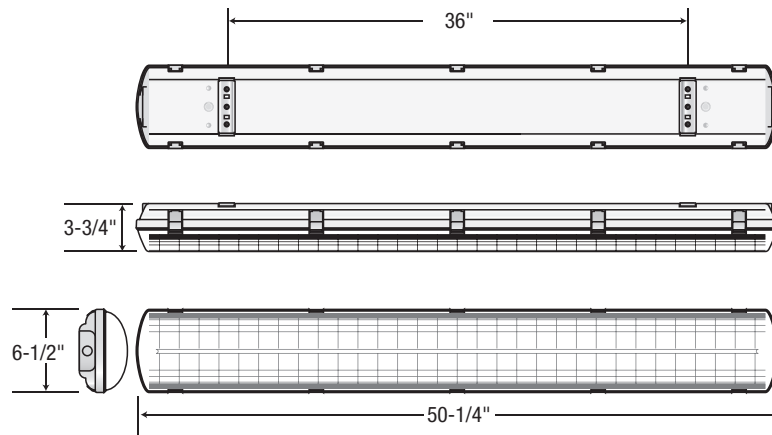


VTE4-L



VTE4-LSR3

Part number	DLC unique ID	Watts (W)	Volts (VAC)	Color temp. (K)	Lumen output (lm)	Efficiency (lm/W)	CRI	Life L70 (hrs)	Tested hours LM-80 (hrs)	Dimming (Yes/No)	Power factor	THD (%)
VTE4-L												
VTE4-LS3-W/40K	PR5NU3T3	40	120-277	4 000	5 000	125	80+	64 000	6 000	0-10	0.95	20
VTE4-LS3-W/40K/OS1 ⁵	PR5NU3T3	40	120-277	4 000	5 000	125	80+	64 000	6 000	0-10	0.95	20
VTE4-LS3-W/40K/OS2 ⁵	PR5NU3T3	40	120-277	4 000	5 000	125	80+	64 000	6 000	0-10	0.95	20
VTE4-LS3-W/50K	PL51BLTHLGCM	40	120-277	5 000	5 000	125	80+	64 000	6 000	0-10	0.95	20
VTE4-LS3-H/40K	PK4FZXN8	40	347	4 000	5 200	130	80+	64 000	6 000	0-10	0.95	10
VTE4-LS3-H/50K	P8YGJQJV	40	347	5 000	5 460	136	80+	64 000	6 000	0-10	0.95	10
VTE4-LS4-W/40K	PQAHB4TG	60	120-277	4 000	7 500	125	80+	64 000	6 000	0-10	0.95	10
VTE4-LS4-W/50K	PLUNROD427J1	60	120-277	5 000	7 500	125	80+	64 000	6 000	0-10	0.95	10
VTE4-LS4-H/40K	PNK8EFAU	60	347	4 000	7 900	132	80+	64 000	6 000	0-10	0.95	10
VTE4-LS4-H/50K	PHDABCVR	60	347	5 000	8 176	136	80+	64 000	6 000	0-10	0.95	10
VTE4-LSR3												
VTE4-LSR3-W/40K	PS3340WB	41	120-277	4 000	5 018	122	80+	64 000	6 000	0-10	0.95	5
VTE4-LSR3-H/40K	PG2SPKE6	41	347	4 000	4 673	114	80+	64 000	6 000	0-10	0.95	5



Accessory

Part number	Type
CAS060-LATCH-SS ¹	STAINLESS STEEL Latches (1pc)

¹ 10 Latches are required per fixture.
² cULus Listed only for VTE4-L.



²





VT4

Part number	Watts (W)	Volts (VAC)	Number of lamps	Lamp type
VT4F2T5H0054-W	54	120-277	2	T5HO
VT4F2T5H0054-H	54	347	2	T5HO
VT4F2T8032-A	32	120	2	T8
VT4F2T8032-W	32	120-277	2	T8
VT4F2T8032-H	32	347	2	T8



High efficiency
Gull Wing Reflector



End view

Accessory

Part number	Type
HAR06-TPBIT-UDR	Tamper proof 2" Steel Power Bit

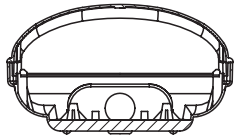




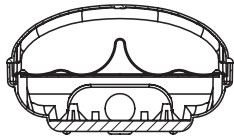
RKTVT

Part number	DLC unique ID	Watts (W)	Volts (VAC)	Color temp. (K)	Lumen output (lm)	Efficiency (lm/W)	CRI	Dimming	Power factor	THD (%)
Option 1										
RKTVT-40W-MC-W/40K	PQTTQW9	41	120-277	4 000	5 000	122	80+	0 -10	0.95	10
RKTVT-40W-MC-H/40K	PGYD2H52	40	347	4 000	4 700	118	80+	0 -10	0.95	10
Option 2										
RKTVT-40W-PC-W/40K	PQTTQW9	41	120-277	4 000	5 000	122	80	0 -10	0.95	10
RKTVT-40W-PC-H/40K	PGYD2H52	40	347	4 000	4 700	118	80	0 -10	0.95	10

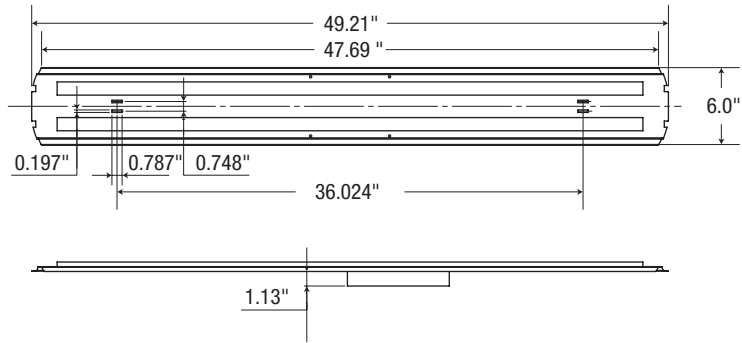
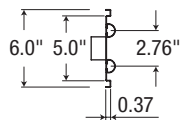
OPTION 1



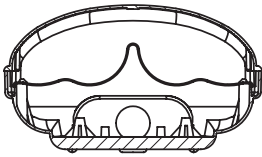
WHITE FLAT PAN



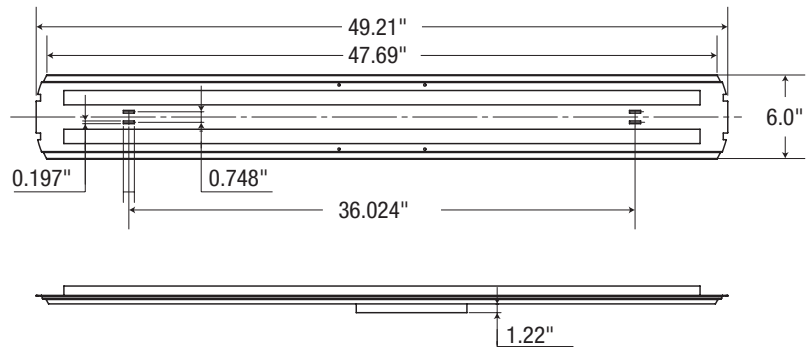
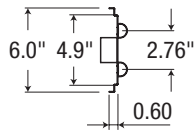
SILVER GULLWING OVER A FLAT PAN



OPTION 2



WHITE GULLWING ONLY



GOLED

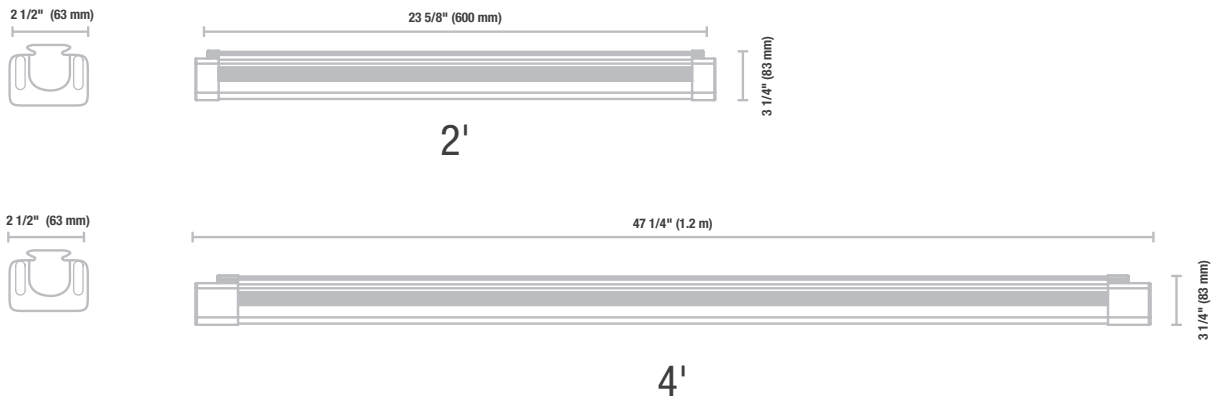


LED Tri-proof

The LSVS Tri-Proof series is highly resistant to heavy impacts (IK10), water jets (IP66), dust, and temperature variations. This luminaire balances high performance lighting while providing minimum glare.



Order code	Model number	Watts (W)	Volts (VAC)	Color temp. (K)	Lumen output (lm)	CRI	Life L70 (hrs)	Case qty (master)
2'								
64922	LSVS/20W/2FT/40K/2/ND/FP/L/STD	20	120-277	4 000	1 900	80	63 000	6
4'								
64923	LSVS/40W/4FT/40K/2/ND/FP/L/STD	40	120-277	4 000	4 909	80	63 000	6
64924	LSVS/40W/4FT/40K/3/ND/FP/L/STD	40	347	4 000	4 909	80	63 000	6



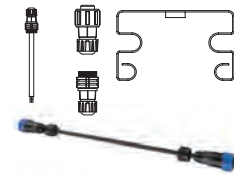
Accessory

Order code	Model number	Type
64175	LSVS/ACC/AIRCAB/STD	Steel cables



Included in the box

- Connectors for linkable mounting
- Mounting clips: one set per luminaire
- One 6 ft (183 cm) cable, with one set of connectors at each end



Lumen values are derived from photometric testing
For a complete list of DLC qualified products, please visit www.standardpro.com





LED High Bay

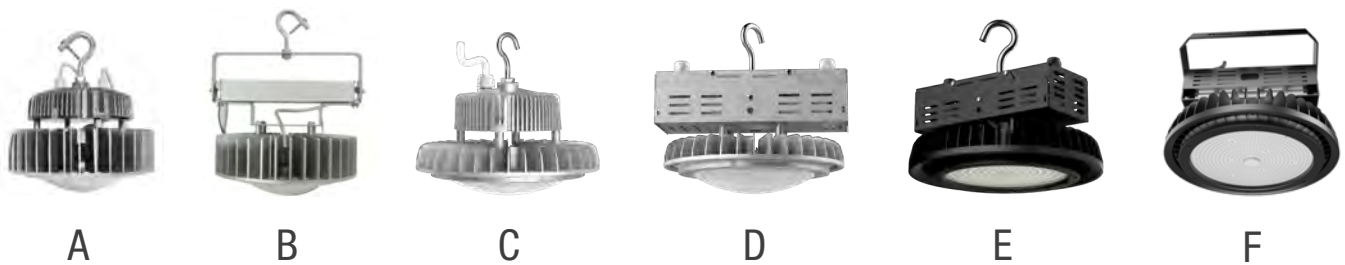
With Stanpro's high bay line, it is now easy to modernize your commercial or industrial applications; it is the perfect alternative for your traditional lighting system.

Our high efficacy LED high bay luminaires provide premium performance, quality and versatility. With up to 60% lower power consumption compared to traditional fluorescent and HID light sources, these luminaires are designed to reduce your total cost of ownership, while providing modern uniform light. These luminaires are ideal for high ceilings (10' to 60') in warehouses, manufacturing facilities, gymnasiums, grocery stores or any other large indoor space, and they provide direct and semi-direct light.

LED Bell Shape

Stanpro's LED high bay bell shape luminaires are the perfect solution for either new or retrofit applications. Built using cold-forging technology, the heat sink is made of 1070 pure aluminum. This forging process allows for heat dissipation that is three times faster than die-casting, ensuring the longest life possible for these fixtures. This series of LED fixtures have a polycarbonate lens that provides an even light distribution and significantly reduces glare, a perfect solution for lower ceiling applications. The hook design and the 10-foot cable facilitate an easy and fast installation.

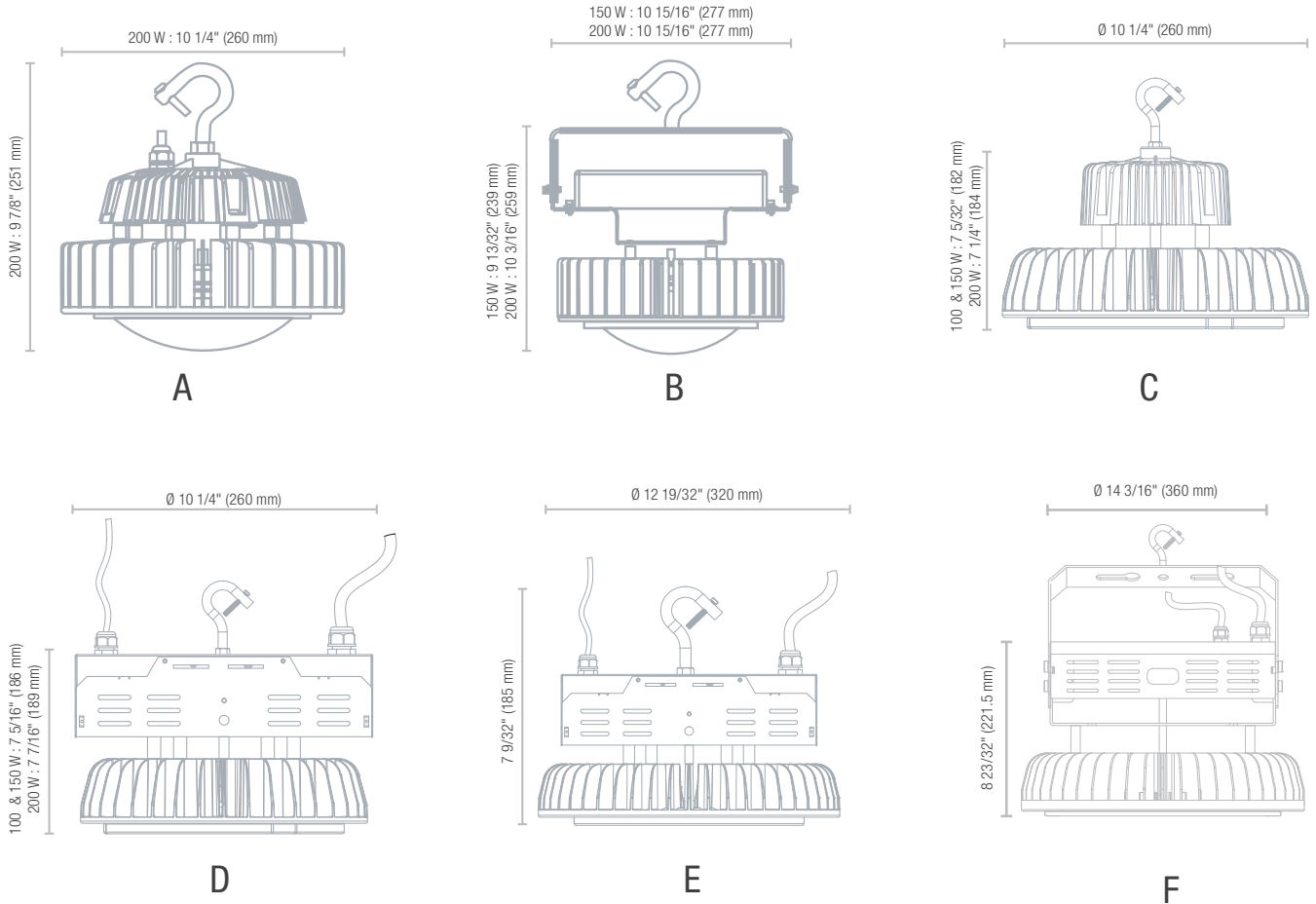
- 1070 pure aluminum heat sink for maximum heat dissipation
- 10-foot cable to easy installation
- A variety of color temperatures and reflector options available
- Offering an extended warranty of 10 years is a testament to the product quality



Order code	Model number	Watts (W)	Volts (VCA)	Color temp. (K)	Lumen output (lm)	CRI	Life L70 (hrs)	Finish	Figure	Case qty (master)
67115	L1HBB-LS2-W/40K	150	100-277	4 000	19 389	80	155 000	Grey	C	1
67116	L1HBB-LS2-W/50K	150	120-277	5 000	19 913	80	155 000	Grey	C	1
67118	L1HBB-LS2-H/50K	152	347	5 000	19 936	80+	155 000	Grey	D	5
67119	L1HBB-LS3-W/40K	150	120-277	4 000	26 050	80+	155 000	Grey	C	12
67120	L1HBB-LS3-W/50K	152	120-277	5 000	26 505	80+	155 000	Grey	C	12
67121	L1HBB-LS3-H/40K	152	347	4 000	25 934	80+	155 000	Grey	D	9
65388	LPHBB/S3/150W/40K/2/DD1/FP/STD	150	120-277	4 000	19 395	80	340 000	Grey	A	1
65389	LPHBB/S3/150W/40K/3/DD1/FP/STD	150	347-480	4 000	19 298	80	330 000	Grey	B	1
65790	LPHBB/S3/150W/50K/3/DD1/STD	150	347-480	5 000	19 507	80	330 000	Black	B	1
65791	LPHBB/200W/40K/2/DD1/STD	200	120-277	4 000	26 062	80	280 000	Black	A	1
65795	LPHBB/200W/50K/2/DD1/STD	200	120-277	5 000	26 941	80	280 000	Black	A	1
65796	LPHBB/200W/40K/3/DD1/STD	200	347-480	4 000	26 355	80	270 000	Black	B	1
67122	L1HBB-LS3-H/50K	200	200-480	5 000	26 462	80	155 000	Grey	D	1
67123	L1HBB-LS5-W/40K	300	100-277	4 000	40 239	80	155 000	Black	E	1
67124	L1HBB-LS5-W/50K	300	100-277	5 000	40 239	80	155 000	Black	E	1
67125	L1HBB-LS5-H/40K	300	200-480	4 000	40 383	80	155 000	Black	E	1
67126	L1HBB-LS5-H/50K	300	200-480	5 000	40 383	80	155 000	Black	E	1
67131	L1HBB-LS7-W/40K	500	100-277	4 000	65 418	80	155 000	Black	F	1
67132	L1HBB-LS7-W/50K	500	100-277	5 000	66 198	80	155 000	Black	F	1
67133	L1HBB-LS7-H/40K	500	200-480	4 000	65 246	80	155 000	Black	F	1
67134	L1HBB-LS7-H/50K	500	200-480	5 000	66 099	80	155 000	Black	F	1

Lumen values are derived from photometric testing
 For a complete list of compatible dimmers and DLC qualified products,
 please visit www.stanpro.com
 *Non-stocked items, contact Stanpro for lead time and minimum order quantity





Accessories

Order code	Model number	Figure	Type	Finish	Beam angle (°)	Compatible wattages
64201	LHBB/ALR60/STD	1	Reflector	Aluminum	60	A, B
64202	LHBB/ALR90/STD	3	Reflector	Aluminum	90	A, B
64203	LHBB/ACR70/STD	2	Reflector	Clear acrylic	70	A, B
66030	LPHBB/ACR60/22IN/STD	2	Reflector	Clear acrylic	60	A, B
66031	LPHBB/ACR/LENS/22IN/STD	4	Lens	Clear acrylic	-	A, B
67135	REF830-AL-90	3	Reflector	Aluminum	90	C, D, E
67136	REF830-AL-60	1	Reflector	Aluminum	60	C, D, E
67137	REF830-AC-70	2	Reflector	Clear polycarbonate	70	C, D, E
67138	LEN372-CLPC	4	Lens	Clear polycarbonate	70	C, D, E., F
67139	REF830-FRPC-70	2	Reflector	Frosted polycarbonate	70	C, D, E
67140	LEN372-FRPC	4	Lens	Frosted polycarbonate	70	C, D, E
67141	REF830-CLPC-70	2	Reflector	Clear polycarbonate	70	C, D, E
67142	LEN373-CLPC	4	Lens	Clear polycarbonate	70	C, D, E, F
67144	BKT810	5	Mounting bracket	Black	-	C, D, E
67143	REF831-AL-90	3	Reflector	Aluminum	90	F



Round LED white High Bay

Our new series of LED High Bays are an energy efficient solution and maintain a traditional size and shape. This type of luminaire is ideal for use in applications such as warehouses, manufacturing, sports arenas, and other large high ceiling indoor applications. This high bay is ideal for large vertical spaces such as big box retail operations that require higher lumen output solutions with a more refined design than traditional industrial looking high bays.



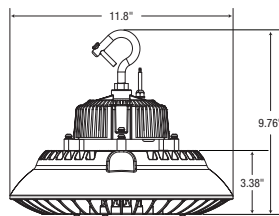
120-277 V



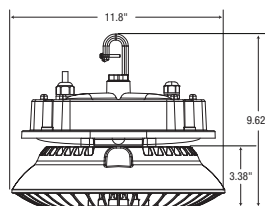
347 V

Part number	DLC unique ID	Watts (W)	Volts (VAC)	Color temp. (K)	Lumen output (lm)	Efficiency (lm/W)	CRI	Life L70 (hrs)	Tested hours LM-80 (hrs)	Dimming (V)	Power factor	THD (%)
L1RPH-LS1-W/40K	PRM4TWFJ	103	120-277	4 000	12 945	126	80+	220 000	10 000	0-10	0.99	9
L1RPH-LS1-W/50K	PE8GMQ99	103	120-277	5 000	13 157	128	80+	220 000	10 000	0-10	0.99	9
L1RPH-LS1-H/40K	PRM4TWFJ	103	347	4 000	12 945	126	80+	220 000	10 000	0-10	0.99	9
L1RPH-LS1-H/50K	PE8GMQ99	103	347	5 000	13 157	128	80+	220 000	10 000	0-10	0.99	9
L1RPH-LS2-W/40K	PKOI986C	154	120-277	4 000	19 727	128	80+	200 000	10 000	0-10	0.99	8
L1RPH-LS2-W/50K	PHMAYIQG	154	120-277	5 000	20 050	130	80+	200 000	10 000	0-10	0.99	8
L1RPH-LS2-H/40K	PKOI986C	154	347	4 000	19 727	128	80+	210 000	10 000	0-10	0.99	8
L1RPH-LS2-H/50K	PHMAYIQG	154	347	5 000	20 050	130	80+	210 000	10 000	0-10	0.99	8
L1RPH-LS3-W/40K	PJFF9A9Q	204	120-277	4 000	24 937	122	80+	180 000	10 000	0-10	0.99	7
L1RPH-LS3-W/50K	PWMKCPTW	204	120-277	5 000	25 345	124	80+	180 000	10 000	0-10	0.99	7
L1RPH-LS3-H/40K	PJFF9A9Q	204	347	4 000	24 937	122	80+	195 000	10 000	0-10	0.99	7
L1RPH-LS3-H/50K	PWMKCPTW	204	347	5 000	25 345	124	80+	195 000	10 000	0-10	0.99	7

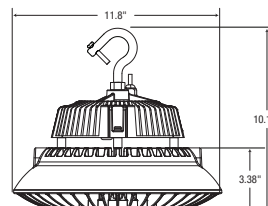
S1 & S2 – 120-277 V



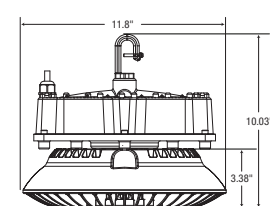
S1 & S2 – 347 V



S3 – 120-277 V



S3 – 347 V



Accessories

Part number	Type	Compatible with
REF827-60 ¹	Aluminum reflector 60°	LS1, LS2, LS3
REF827-90 ¹	Aluminum reflector 90°	LS1, LS2, LS3
REF828 ¹	Clear polycarbonate reflector 70°	LS1, LS2, LS3
REF828-FR ¹	Frosted polycarbonate reflector 70°	LS1, LS2, LS3
WGD064-60	Wireguard for aluminum reflector	REF827-60
WGD064-90	Wireguard for aluminum reflector	REF827-90
WGD065	Wireguard for polycarbonate reflector	REF828, REF828-FR

REF827-60



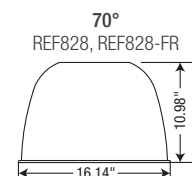
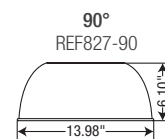
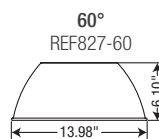
REF827-90



REF828



REF828-FR



¹ Reflector options are not currently qualified for DLC rebates.

Lumen values are derived from photometric testing. For a complete list of compatible dimmers and DLC qualified products, please visit www.standardpro.com

² Non-stocked items, contact Stanpro for lead time and minimum order quantity



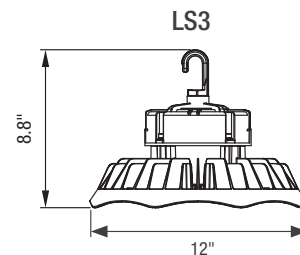
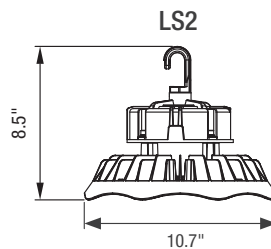
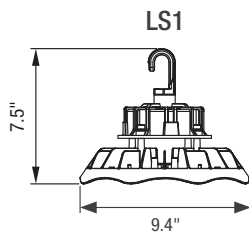
Round Economic and High Performing Luminaire

Our economic series of LED High Bays are an energy efficient solution with a simple design. This type of luminaire is ideal for any application such as stockrooms, manufacturing, sports arenas, and other large high ceiling indoor applications. The IP65 rating allows this fixture to be installed where dust and water spray may be present.



L1RSH-L

Order code	Model number	DLC unique ID	Watts (W)	Volts (VAC)	Color temp. (K)	Lumen output (lm)	Efficiency (lm/W)	CRI	Life L70 (hrs)	Beam angle (°)	Power factor	THD (%)
68098	L1RSH-LS1-W/40K	PLN4RIA90KK8	100	120-277	4 000	15 147	151	80+	151 000	110	0.88	13.8
68099	L1RSH-LS1-W/50K	PLR86DBZZU0T	100	120-277	5 000	15 401	156	80+	151 000	110	0.88	13.8
68100	L1RSH-LS2-W/40K	PLF07LMVNQU5	152	120-277	4000	23 519	154	80+	151 000	110	0.95	9.03
68101	L1RSH-LS2-W/50K	PLU6MMBQV6I5	152	120-277	5 000	23 818	156	80+	151 000	110	0.95	9.03
68602	L1RSH-LS3A-W/40K		205	120-277	4 000	27 341	133	80+	173 000	110	0.96	9.09
68603	L1RSH-LS3A-W/50K		205	120-277	5 000	27 737	135	80+	173 000	110	0.96	9.09
68102	L1RSH-LS3-W/40K	PL8KT63VY00B	204	120-277	4 000	32 772	161	80+	151 000	110	0.94	9.38
68103	L1RSH-LS3-W/50K	PLFWOH766CCH	204	120-277	5 000	33 188	163	80+	151 000	110	0.94	9.38
68104	L1RSH-LS4-W/40K	PLY8TDP5G3WV	242	120-277	4 000	37 437	155	80+	151 000	110	0.96	6.61
68105	L1RSH-LS4-W/50K	PLSWOQDOMAKC	242	120-277	5 000	37 911	157	80+	151 000	110	0.96	6.61
68290	L1RSH-LS1-H/40K	PLYUQPE6NBRN	100	347 ¹	4 000	15 328	153	80+	173 000	110	0.94	9.74
68291	L1RSH-LS1-H/50K	PLB0I3G0DC52	100	347 ¹	5 000	15 521	155	80+	173 000	110	0.94	9.74
68292	L1RSH-LS2-H/40K	PL6T1E7PSWKW	149	347 ¹	4 000	22 563	152	80+	173 000	110	0.96	7.37
68293	L1RSH-LS2-H/50K	PLFRVPBONING	149	347 ¹	5 000	22 802	153	80+	173 000	110	0.96	7.37
68604	L1RSH-LS3A-H/40K		200	347 ¹	4 000	27 000	135	80+	173 000	110	0.97	9.09
68605	L1RSH-LS3A-H/50K		200	347 ¹	5 000	27 000	135	80+	173 000	110	0.97	9.09
68294	L1RSH-LS3-H/40K	PLT2KFI5B101	201	347 ¹	4 000	30 818	154	80+	173 000	110	0.97	9.53
68295	L1RSH-LS3-H/50K	PL90RESXLFV	201	347 ¹	5 000	31 135	155	80+	173 000	110	0.97	9.53
68296	L1RSH-LS4-H/40K	PLBZMLJV2SI	237	347 ¹	4 000	35 646	150	80+	173 000	110	0.97	7.5
68297	L1RSH-LS4-H/50K	PLQFCT204C6C	237	347 ¹	5 000	36 012	152	80+	173 000	110	0.97	7.5



Accessories

Order code	Type	Compatible with
68527	Aluminum reflector	S1
68528	Aluminum reflector	S2
68529	Aluminum reflector	S3 & S4
68530	Clear PC reflector	S1
68531	Clear PC reflector	S2
68532	Clear PC reflector	S3 & S4
68533	High frequency sensor	All configurations
68534	Trunnion (± 90°)	S1
68535	Trunnion (± 90°)	S2
68536	Trunnion (± 90°)	S3 & S4
68537	Safety cable	S1 & S2
68538	Safety cable	S3 & S4

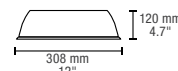


Aluminum reflector 100°

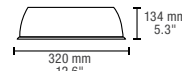


Clear PC reflector 90°

68527



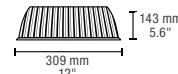
68528



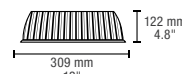
68529



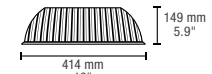
68530



68531



68532



ICES 005



IP 65



wet location



5 yrs warranty



UL US

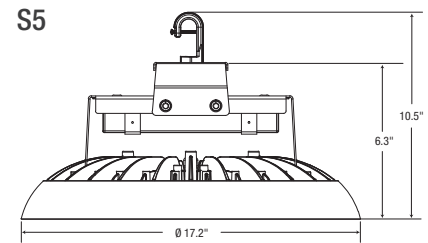
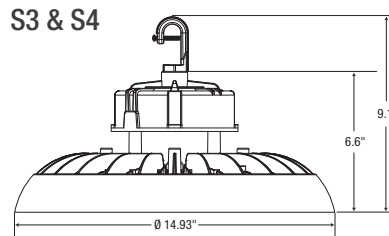
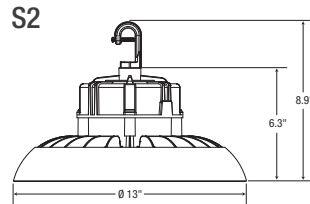
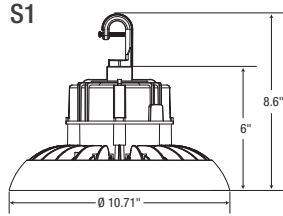


DLC PREMIUM

¹ Drivers can operate from 277-480V
Lumen values are derived from photometric testing
For a complete list of compatible dimmers and DLC qualified products, please visit www.standardpro.com



L1RTH-L



Part number	DLC unique ID	Watts (W)	Volts (VAC)	Color temp. (K)	Lumen output (lm)	Efficiency (lm/W)	CRI	Life L70 (hrs)	Tested LM-80 (hrs)	Dimming (V)	Power factor	THD (%)
L1RTH-LS1-W/40K	PL1XTP92NKJT	99	120-277	4 000	12 663	128	80+	222 000	9 000	0-10	0.90	15
L1RTH-LS1-W/50K	PL69OY4GS08E	99	120-277	5 000	13 018	132	80+	222 000	9 000	0-10	0.90	15
L1RTH-LS1-H/40K	PL5IKVCOH7KB	99	347	4 000	12 753	129	80+	238 000	9 000	0-10	0.90	19
L1RTH-LS1-H/50K	PLJRRX5L1VNT	99	347	5 000	13 138	133	80+	238 000	9 000	0-10	0.90	2
L1RTH-LS2-W/40K	PLUAMAHG53CK	150	120-277	4 000	19 478	130	80+	207 000	9 000	0-10	0.95	12
L1RTH-LS2-W/50K	PLXOC27FP506	150	120-277	5 000	19 665	131	80+	207 000	9 000	0-10	0.95	12
L1RTH-LS2-H/40K	PLN06V2E2D2Z	148	347	4 000	20 306	137	80+	236 000	9 000	0-10	0.89	20
L1RTH-LS2-H/50K	PLTTBRPNAUE3	148	347	5 000	20 444	139	80+	236 000	9 000	0-10	0.89	19
L1RTH-LS3-W/40K	PLVJP5YIBY5M	202	120-277	4 000	26 320	130	80+	196 000	9 000	0-10	0.94	8
L1RTH-LS3-W/50K	PLJ6XIUABZ0	202	120-277	5 000	26 588	131	80+	196 000	9 000	0-10	0.94	8
L1RTH-LS3-H/40K	PLNQVBKAUTIM	198	347	4 000	26 502	134	80+	219 000	9 000	0-10	0.89	13
L1RTH-LS3-H/50K	PLYR6RGG9FU	197	347	5 000	26 960	137	80+	219 000	9 000	0-10	0.89	15
L1RTH-LS4-W/40K	PL1FWNA4XXCA	244	120-277	4 000	31 553	129	80+	182 000	9 000	0-10	0.92	8
L1RTH-LS4-W/50K	PLFONBFTNXKS	245	120-277	5 000	32 017	131	80+	182 000	9 000	0-10	0.92	8
L1RTH-LS4-H/40K	PLQFPA9QBH84	238	347	4 000	31 478	132	80+	204 000	9 000	0-10	0.88	15
L1RTH-LS4-H/50K	PLKP9RC9NVR9	238	347	5 000	32 151	135	80+	204 000	9 000	0-10	0.88	15

Accessories

Part number	Type	Compatible with
REF668-PC-100	Clear polycarbonate reflector	S1
REF668-PC-150	Clear polycarbonate reflector	S2
REF668-PC-200	Clear polycarbonate reflector	S3 & S4
REF668-AL-100	Aluminum reflector silver	S1
REF668-AL-150	Aluminum reflector silver	S2
REF668-AL-200	Aluminum reflector silver	S3 & S4
BKT862-100	Trunnion (± 90°)	S1
BKT862-150	Trunnion (± 90°)	S2
BKT862-200	Trunnion (± 90°)	S3 & S4
HAR1045	3 pins connector IP67 for AC cable extension	All configurations
HAR1046	2 pins connector IP68 for dimming wires extension	All configurations
HAR1047	Safety cable	S1 & S2
HAR1048	Safety cable	S3 & S4
HAR1045-10FT	4' extension for power cable only	All configurations
HAR1045-20FT	14' extension for power cable only	All configurations
HAR1046-10FT	4' extension for dimming cable	All configurations
HAR1046-20FT	14' extension for dimming cable	All configurations
KITOSI-MC054VC-A	High frequency sensor ON-OFF 20 min 120-277 V	All configurations
KIT-OSE-FO-1101	High frequency sensor ON-OFF 20 min 347 V	All configurations



Polycarbonate clear reflector



Aluminum reflector silver

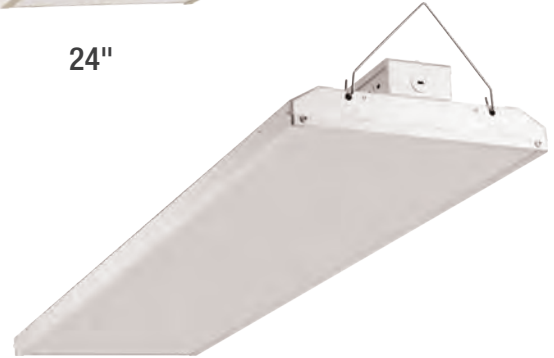


LED Eco High Bay

Our new series of LED economical High Bays is an energy efficient solution that is ideal for use in applications such as warehouses, sports arenas, and other large, high ceiling indoor applications.



24"

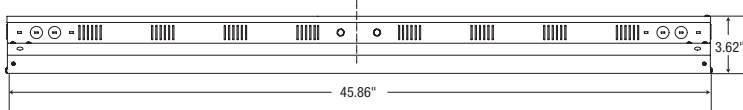


48"

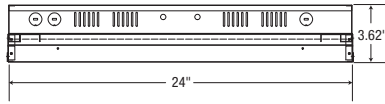
Order code	Part number	DLC unique ID	Watts (W)	Volts (VAC)	Color temp. (K) ²	Lumen output (lm) ³	Efficiency (lm/W)	CRI	Life L70 (hrs) ⁴	Tested hours LM-80 (hrs) ⁴	Dimming type (V)	Power factor	THD (%)
24"													
	L1EPH-24LS2-W/40K ⁵	PLBOJSA9JJ83	90	120-277	4 000	11 700	130	80+	120 000	6 000	0-10	0.90	10
	L1EPH-24LS2-W/50K ⁵	PLDKQU50RK8P	90	120-277	5 000	11 790	131	80+	120 000	6 000	0-10	0.90	10
	L1EPH-24LS2-H/40K ⁵	PLPLC40LFXM0	90	347	4 000	11 700	130	80+	120 000	6 000	0-10	0.90	10
	L1EPH-24LS2-H/50K ⁵	PL1SLUTRKA7	90	347	5 000	11 790	131	80+	120 000	6 000	0-10	0.90	10
65515	L1EPH-24LS2B-W/40K		110	120-277	4 000	14 300	130	80+	120 000	6 000	0-10	0.90	10
	L1EPH-24LS3-W/40K ⁵	PL0SLEQESYFQ	135	120-277	4 000	17 550	130	80+	120 000	6 000	0-10	0.90	10
	L1EPH-24LS3-W/50K ⁵	PLXQ0F96480F	135	120-277	5 000	17 685	131	80+	120 000	6 000	0-10	0.90	10
	L1EPH-24LS3-H/40K ⁵	PLZ6DYSARGWZ	135	347	4 000	17 550	130	80+	120 000	6 000	0-10	0.90	10
	L1EPH-24LS3-H/50K ⁵	PLDCR9H2EROP	135	347	5 000	17 685	131	80+	120 000	6 000	0-10	0.90	10
65516	L1EPH-24LS4B-W/40K		162	120-277	4 000	21 060	130	80+	120 000	6 000	0-10	0.90	10
65518	L1EPH-24LS4B-W/50K		162	120-277	5 000	21 222	131	80+	120 000	6 000	0-10	0.90	10
65561	L1EPH-24LS4B-H/40K		162	347	4 000	21 060	130	80+	120 000	6 000	0-10	0.90	10
48"													
	L1EPH-48LS1A-W/40K ⁵	PLH4ZYWRLCG6	178	120-277	4 000	23 140	130	80+	122 000	6 000	0-10	0.90	10
	L1EPH-48LS1A-W/50K ⁵	PLJ3Y0SCOT6B	178	120-277	5 000	23 318	131	80+	122 000	6 000	0-10	0.90	10
	L1EPH-48LS1A-H/40K ⁵	PLU2F0ZVA14H	178	347	4 000	23 140	130	80+	122 000	6 000	0-10	0.99	10
	L1EPH-48LS1A-H/50K ⁵	PLWA101ZW4Z6	178	347	5 000	23 318	131	80+	122 000	6 000	0-10	0.99	10
65517	L1EPH-48LS1B-W/40K		223	120-277	4 000	28 990	130	80+	122 000	6 000	0-10	0.90	10
65519	L1EPH-48LS1B-W/50K		223	120-277	5 000	29 213	131	80+	122 000	6 000	0-10	0.90	10
65562	L1EPH-48LS1B-H/40K		223	347	4 000	28 990	130	80+	122 000	6 000	0-10	0.90	10
	L1EPH-48LS2A-W/40K ⁵	PLJNN87KT35R	265	120-277	4 000	34 450	130	80+	122 000	6 000	0-10	0.90	10
	L1EPH-48LS2A-W/50K ⁵	PL9MT8CQMBMK	265	120-277	5 000	34 715	131	80+	122 000	6 000	0-10	0.90	10
	L1EPH-48LS2A-H/40K ⁵	PLLSNJ19W95H	265	347	4 000	34 715	131	80+	122 000	6 000	0-10	0.99	10
	L1EPH-48LS2A-H/50K ⁵	PLJKJB20ITVI	265	347	5 000	34 980	132	80+	122 000	6 000	0-10	0.99	10
65559	L1EPH-48LS3B-W/50K		321	120-277	5 000	42 051	131	80+	122 000	6 000	0-10	0.90	10
65560	L1EPH-48LS3B-H/50K		321	347	5 000	42 051	131	80+	122 000	6 000	0-10	0.90	10

¹ Coming standard with 6' cable and V Hooks for dual point chain or cable hanging.

48"

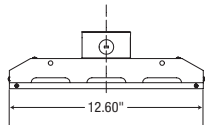


24"

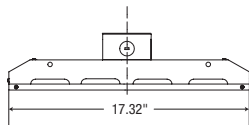


120-277 V

24" - LS2, LS2B
48" - LS1A, LS1B

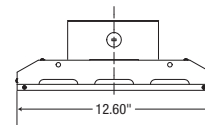


24" - LS3, LS4B
48" - LS2A, LS3B

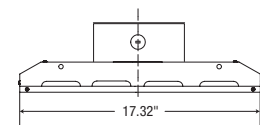


347 V

24" - LS2, LS2B
48" - LS1A, LS1B



24" - LS3, LS4B
48" - LS2A, LS3B



Accessories

Part number	Type	Compatible with
CAS900-4-VHOOK	V-hook kit for pendant mount	24LS2, 24LS2B, 48LS1A, 48LS1B
CAS900-6-VHOOK	V-hook kit for pendant mount	24LS3, 24LS4B, 48LS2A, 48LS3B
BKT486	Conduit mount kit 20 AWG bracket for 120-277 V	120-277 V
BKT486-347V	Conduit mount kit 20 AWG bracket for 347 V	347 V
BKT584-4L	Surface mount bracket	24LS2, 24LS2B, 48LS1A, 48LS1B
BKT584-6L	Surface mount bracket	24LS3, 24LS4B, 48LS2A, 48LS3B
HAR1040	11' Aviation cable mount option	All configurations
WGD063-4-KIT	4' Wireguard	48LS1A, 48LS1B
WGD063-6-KIT	4' Wireguard	48LS2A, 48LS3B
WGD904-4-KIT	2' Wireguard	24LS2, 24LS2B
WGD904-6-KIT	2' Wireguard	24LS3, 24LS4B



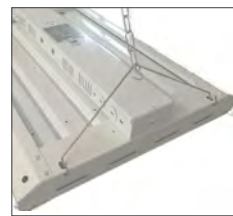
WITH WIREGUARD



SURFACE MOUNT



CONDUIT MOUNT



PENDANT MOUNT WITH V-HOOKS



AVIATION CABLE MOUNT





Printed in Canada.

© 2021 STANDARD Products Inc. All Rights Reserved.

Data is based upon tests performed in a controlled environment.
Actual performance can vary depending on operating conditions.
All products are subject to change or may be discontinued any time without notice.

For the latest version, please refer to our website.

www.standardpro.com



STANPRO



standardpro.com

STANPRO