

# RECESSED LED

REC4-L SERIES



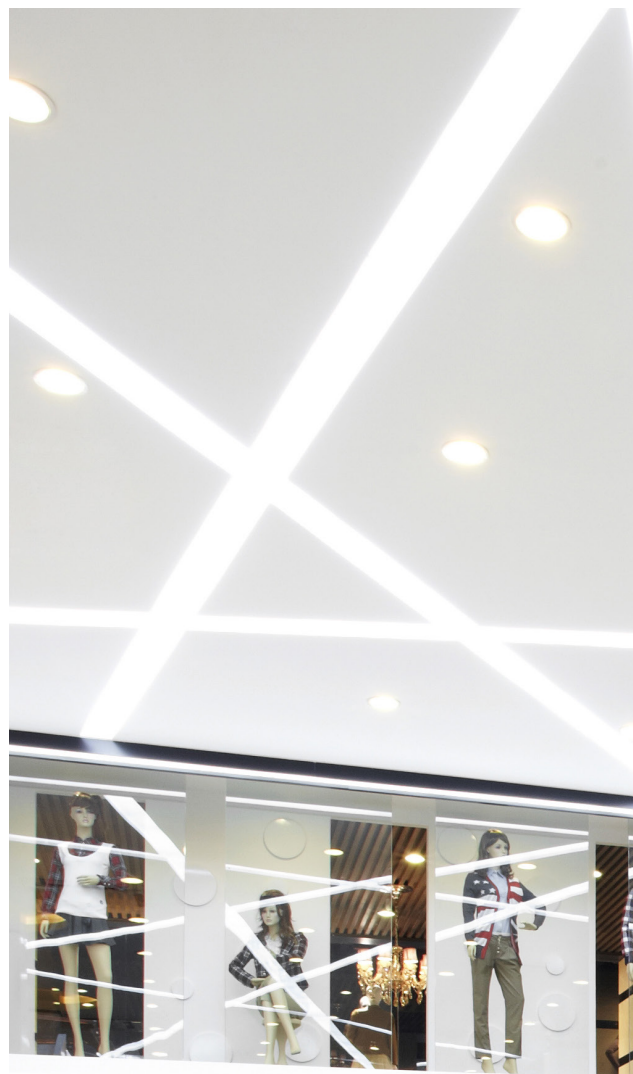
**STANPRO**



# Recessed lights

Recessed lighting blends in best with the surrounding architecture. Our recessed fixtures hide their technical structure which keeps the aesthetic impact on their environment to a minimum.

Our ever-expanding collection of LED luminaires lead the way in energy efficiency and innovation.



# REC4-L series

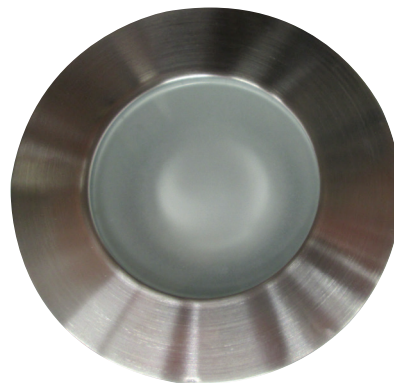
The 4" recessed LED series is developed with an integrated COB and built in driver with a choice of two lumen options. This fixture is ideal for commercial and residential use, proposing a variety of trim selections and beam angles.

Light source	LED
Watts (W)	9 - 13
Lumen output (lm) <sup>1</sup>	1 153 - 1 635
Efficiency (lm/W)	128 - 122.5
Color temperature (K)	2 700, 3 000, 3 500, 4 000
CRI	80+ , 90+

<sup>1</sup> Lumen information is based on medium beam reflector and 3 000 K color temperature.



## TRIMS Ø4"







<sup>1</sup> 5 year warranty for the LINK module

 link  
compatible

<sup>1</sup> **5** yrs  
warranty

 LED  
fixture

 damp  
location

 wet  
location

 airtight

 ICES  
005

 **UL**  
C US



# REC401-L

## Regressed Round Gimbal

**Diameter:** 4-7/8"  
**Rotation angle:** 35°



Clear-White



# REC402-L

## Gimbal

**Diameter: 4-7/8"**  
**Rotation angle: 35°**



Satin Chrome



Black



White



Bronze

# REC403-L

## Regressed Square Gimbal

**Diameter:** 5-1/8" x 5-1/8"

**Rotation angle:** 35°



Black-Satin Chrome



White-White







# REC407-L Shower Trim

Diameter: 4.89"



White-White

Satin Chrome

# REC408-L

## Slot Aperture (Wall Washer)

**Diameter:** 4-7/8"  
**Rotation angle:** 35°



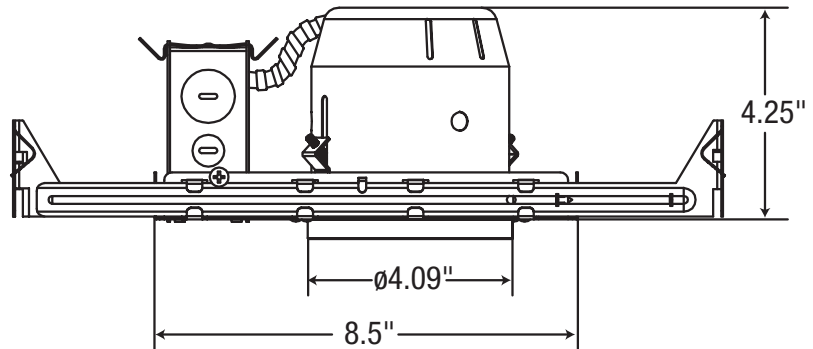
White-White



# Housings

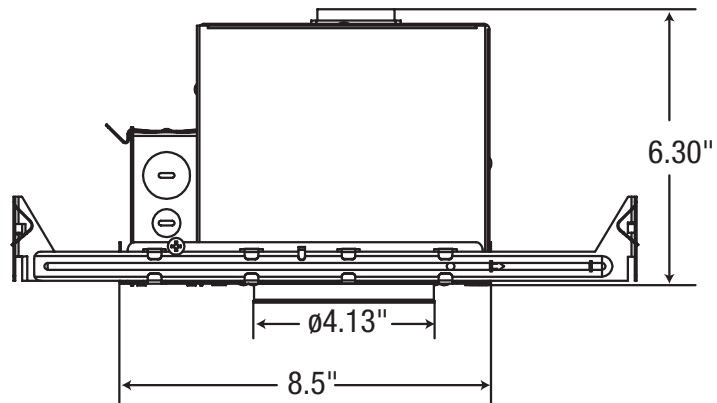
## REC4-L

Frame-in kit for non-insulated ceiling



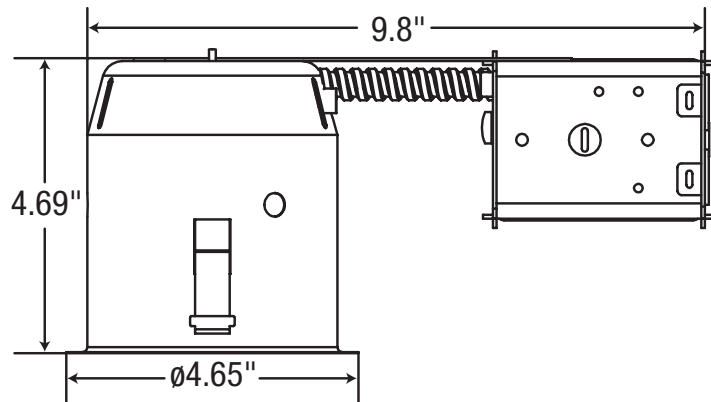
## REC4IC-L

Frame-in kit for insulated ceiling



## REC4R-L

Frame-in kit for remodeler





# Housings

## Screw-In Mounting System

The self-positioning screw-in mounting system of the remodeler housing allows for an easy, fast and secure installation even in not-so-perfect conditions.

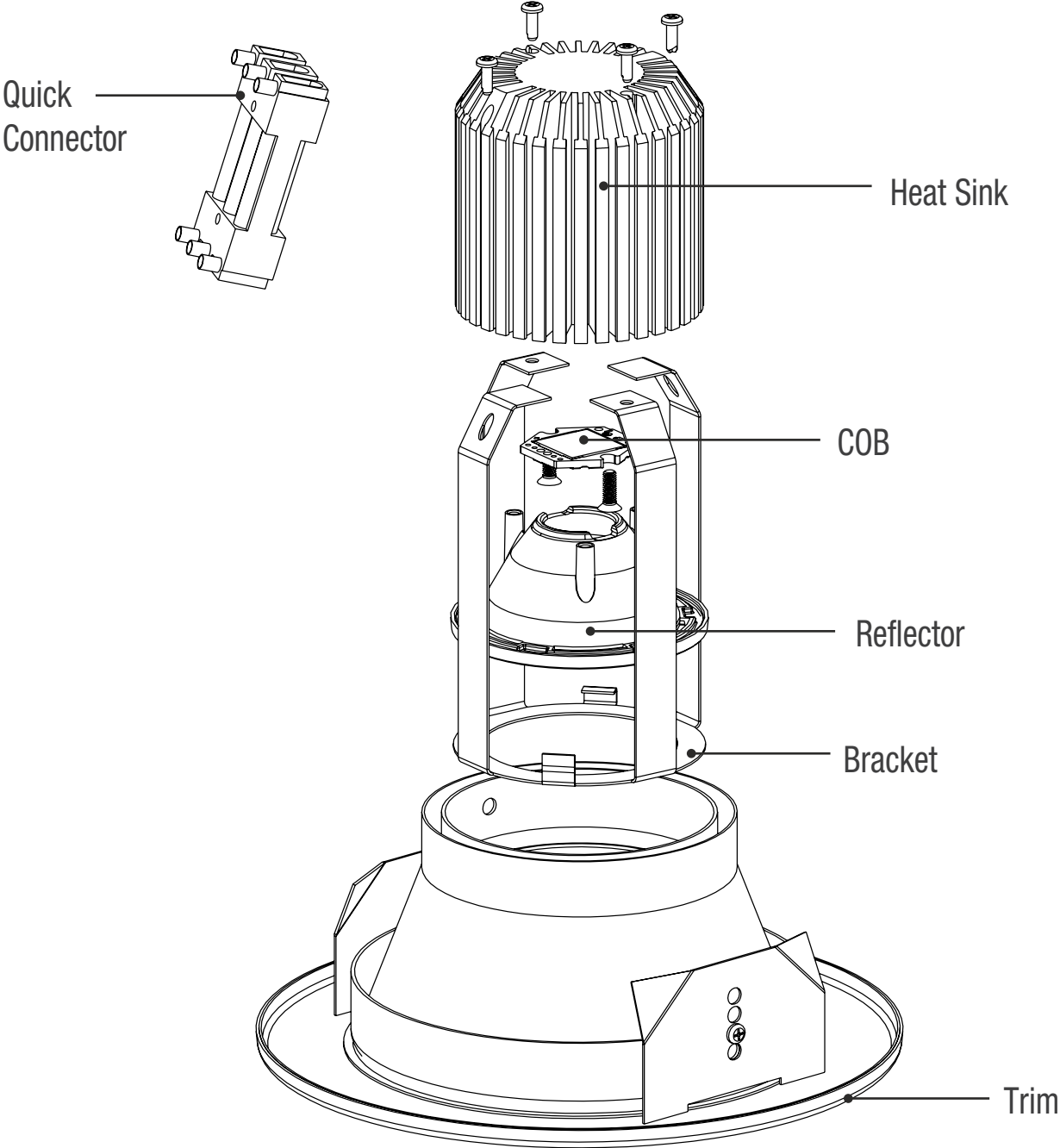
## Quick Connect Wire Connectors

All our housings are equipped with quick connect wire connectors which allow for effortless and rapid connection of the fixture to the main power supply.



# 3D view

with integrated reflector,  
COB and heatsink









Printed in Canada.

© 2021 STANDARD Products Inc. All Rights Reserved.

Data is based upon tests performed in a controlled environment.  
Actual performance can vary depending on operating conditions.  
All products are subject to change or may be discontinued any time without notice.

For the latest version, please refer to our website.

**[www.standardpro.com](http://www.standardpro.com)**



**STANPRO**



standardpro.com

**STANPRO**