

LINK EMERGENCY POWER CONVERSION MODULE



STANPRO

YOUR LINK TEAM

ENGINEERING



We have a dedicated engineering team including a Director of Engineering, Project Managers, Engineers, and Technical lab Specialists. They have the technical skills and the creative imagination to design robust and efficient solutions in this category while ensuring all steps are coordinated to bring a product from concept to reality.

CERTIFICATION



Our team of certification experts ensure we meet standards set by various bodies of certification and/or organizations dedicated to safety and energy efficiency in lighting. They help us strive for superior quality in the vapour tight industry due to being proficient in CSA, UL, ETL and DLC standards and requirements.

PURCHASING



Our procurement department includes a Purchasing Manager, Material Manager and Purchasing Agent, working in unison with hundreds of suppliers to ensure all components integral in a complete vapour tight bill of material are kept in stock to maximize ability to fulfill our customer orders in a timely manner.

TESTING



Our company is ISO 9001, and our laboratory is CSA Qualified and recognized as an INTERTEK satellite lab. Along with being a critical component of the overall mechanical and electrical design of all our products in the category, a team of lab technicians perform all necessary rigorous tests required to ensure our vapour tights exceed company standards.

LED MODULE DESIGN



Our surface mount Engineers and Technicians design and build LED Modules with the highest quality components. They ensure our LED boards can support extreme temperature environments while offering a variety of colour temperatures and beam angles meeting and surpassing corporate standards.

IES LAYOUT



Our Lighting Layout Supervisor helps our customers with everything from simple layouts to complex application specific designs, maximizing customer specific requirements while minimizing forecasted budgets.

MARKETING



Our Marketing team works diligently to develop our branding, and sales support pieces to help convey to our customers the key advantages and benefits of our products.

SALES & CUSTOMER SERVICE



A team of Sales, Quotations and Customer Service Representatives work to provide you solutions to your application specific requirements at the right price in a timely fashion.

SHIPPING



Our Warehouse Manager with his team ensures orders are picked and shipped in a timely manner.

PRODUCT MANAGEMENT



Our production team works to build your orders diligently and in a timely fashion to ensure the highest level of quality whether it be into stock product to made to order

PRODUCTION



Production Planner Supervisor and Production Director work with their team to build your orders, standard into stock quick ship products and made to order configurations with special options and requirements.

MO - THE DOG



Our Company mascot, Loyal Pet (to those who give him snacks) & Supervisor from concept to order, MO ensures everyone is doing their job happily and barks to cheer our team when efficiency, productivity or quality does meet corporate standards.





ABOUT EMERGENCY LIGHTING

Emergency lighting is only one component of a building's life safety systems, but perhaps one of the most important. It provides a minimum level of visibility to help direct the building's occupants safely out of it. Moreover, it also helps personnel and emergency responders locate safety equipment, perform safety functions, or shut down hazardous equipment or operations.

An emergency light is, in its most simple definition, a battery-backed lighting device that switches on automatically when a building experiences a power outage or when a lighting circuit fails.

Emergency lighting is mandated by federal, provincial and/or association codes and criteria. These are borne out of those collective governing bodies' desire to achieve safety and security on the path of egress, in residential, commercial and industrial areas.

Path of egress refers to a continuous and unobstructed way to exit a building, structure or space. Buildings or portions of buildings thereof must, in accordance with various safety codes, have a sufficient amount of lighting on paths of egress. These must be maintained and well-lit in the random event of an emergency. The lighting used in these emergency exit paths must also fit certain codes.

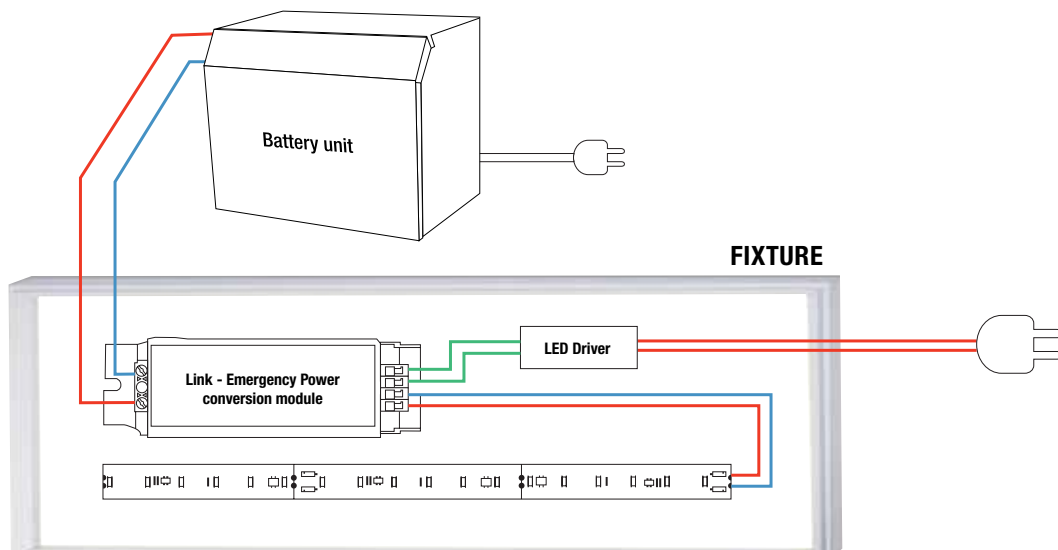
Emergency lighting other than emergency signs must provide an average level of illumination of 10 lux or 1 foot candle and cannot be less than 1 lux or 0.1 foot candles (luminous flux per unit area) at floor or tread level in places such as exit ways, principal exit routes, corridors serving the public, underground walkways, and more.

HOW IT WORKS

Designers have always believed that emergency lighting, in general, is unattractive and obtrusive. When using LINK, there are no more remotes needed anywhere since Stanpro luminaires are being utilized. The integrity of the esthetics is no longer compromised. The LINK Emergency Power Conversion module is a certified emergency component. It's installed in the fixture and is connected to a battery unit so it can power the lights when in emergency mode.

In normal mode, the lighting fixture runs on AC power and is lit up with full lumen output. The LINK module is not utilized in this scenario. In the eventuality of a power failure, the LINK module now draws power from the battery unit. The lighting fixture will light up using DC current. Its wattage consumption diminishes to 11W for 30 minutes and up to 2 hours based on the battery capacity. The lumen output also diminishes, but maintain the required amount as per the National Building Code. The emergency lumen output of each type of lighting fixtures varies based on its specs in normal mode (AC).

It thus allows Stanpro luminaires to also act as emergency lighting during power failure to illuminate the designed path of egress.



CONCEPT

NORMAL MODE



EMERGENCY MODE



ADVANTAGES OF LINK

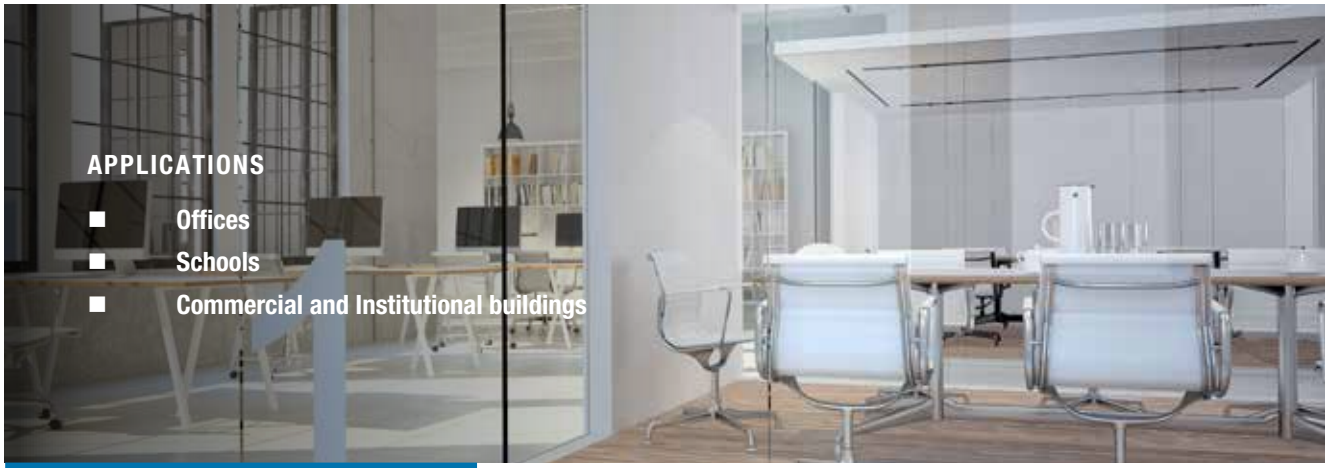
- The obtrusive emergency remote heads used in a traditional layout are no longer needed.
- The LINK module installed in each fixture will provide superior light uniformity than the traditional emergency lights, enhancing security
- One point of maintenance needed, as all the LINK module within the fixtures can be connected to a single battery unit.
- LINK is compatible with Auto-Test and Self-Diagnostics
- LINK can be connected to the same Stanpro battery unit used for remotes and signs
- LINK is a certified emergency component
- LINK with selected Stanpro luminaires is certified to CSA C22.2 #141-15







INDOOR COMMODITY



APPLICATIONS

- Offices
- Schools
- Commercial and Institutional buildings

L3MBA

SPECIFICATION GRADE LED RECESSED METRIC BASKET

DESCRIPTION

Specification grade low profile construction LED recessed luminaire is ideal for shallow plenum spaces. The fixture is perfectly suited for use in modular or metric ceiling systems as well as Air-handling applications.



OVERVIEW

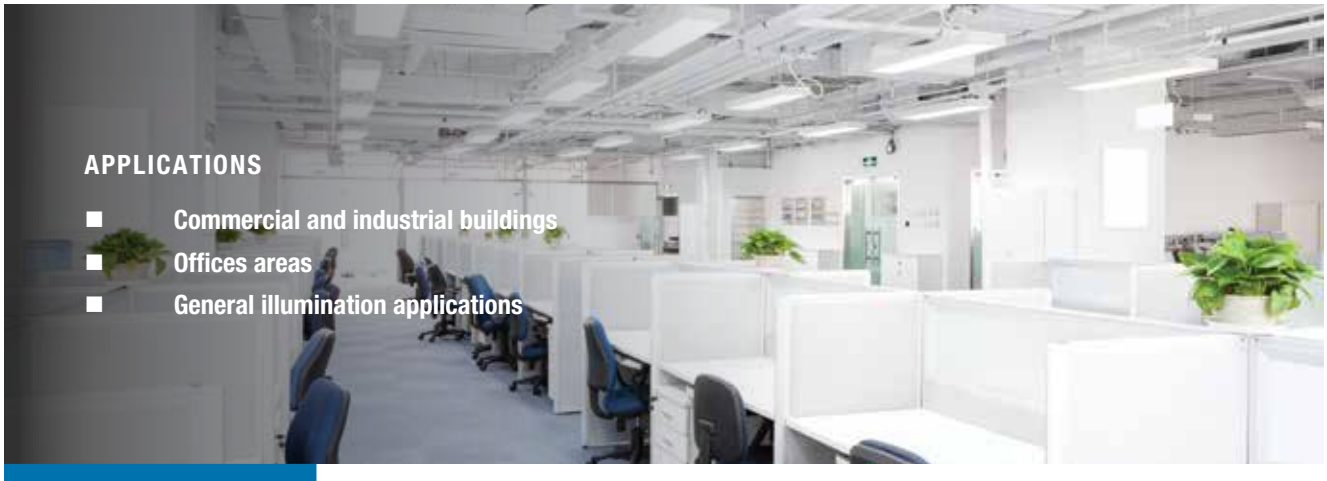
Watts (W)	35 - 47
Lumens (lm)	4 121 - 5 752
Efficiency (lm/W)	114 - 122
Color temp. (K)	3 000, 3 500, 4 000, 5 000
CRI	80+
Construction	One piece faceplate without any welds. Standard white enamel paint. Powder coat finish. Choice of static or air handling to handle the return air in air-conditioned or ventilated spaces
Mounting	Recessed inverted T-Bar ceilings.



ORDERING GUIDE

Series	Size (mm)	Lamp type	Lumen package delivered ¹ (lm)	Volts (V)	Color temp. (K)	Options
L3MBA	3M0 - Static 500 x 1 500 (495.30 x 1492.25)	L - LED	S1 - 4 121 (35W) S2 - 4 801 (42W) S3 - 5 752 (47W)	A - 120 H - 347 W - 120 - 277	30K - 3 000 35K - 3 500 40K - 4 000 50K - 5 000	EL - LINK emergency power conversion module DIM2 - Line voltage dimming, driver 120 V DALI - Digital addressable lighting interface driver
	3MA - Air Handling 500 x 1 500 (495.30 x 1492.25)					
	4M0 - Static 20" x 60" (504.825 x 1517.65)					
	4MA - Air Handling 20" x 60" (504.825 x 1517.65)					

¹ Approximate lumens at 3 000 K. Please consult the catalogue page for details.



APPLICATIONS

- Commercial and industrial buildings
- Offices areas
- General illumination applications

L3CBA

LED RECESSED CENTER BASKET

DESCRIPTION

The LED economic center basket features a classic design at an affordable price. This 1x4, 2x2 and 2x4 center basket provides specification grade, smooth and uniform ambient lighting.



ICCS
005



OVERVIEW

Watts (W)	34 - 35
Lumens (lm)	4 375 - 4 515
Efficiency (lm/W)	125 - 129
Color temp. (K)	3 500, 4 000
CRI	80+
Weight (lbs)	11 - 18
Construction	Housing is die-formed and embossed with hemmed side flanges.
Mounting	Recessed inverted T-Bar ceilings. Grid mount. Comes complete with integrated earthquake clips.

ORDERING GUIDE

Series	Dimension	Lamp Type	Lumen package delivered (lm) ¹	CRI	Volts (V)	Color temp. (K)	Options
L3CBA	1 - 1' X 4' 2 - 2' X 2' 4 - 2' X 4'	L - LED	S1 S2 S3 S4	80 - 80+ 90 - 90+	A- 120 W- 120-277 H- 347	30K - 3 000 35K - 3 500 40K - 4 000 50K - 5 000	DIM2 - Line voltage dimming ² DALI - Digital addressable lighting interface driver ³ OS - Occupancy sensor ⁴ DL - Emergency backup ⁵ EL - LINK Emergency power conversion module

¹ Refer to the technical specification table for more details

² Available in 120 V only

³ Available in 120 - 277 V only

⁴ To see available options please consult the occupancy sensors section

⁵ Not available on 347V



APPLICATIONS

- Schools
- Corridors
- Restrooms
- Commercial buildings

L2WSN

LED SPECIFICATION GRADE WRAPAROUND

DESCRIPTION

Stanpro's L2WSN is ideally suited for a variety of commercial applications where a decorative and robust fixture with efficient lighting is required.



OVERVIEW

Watts (W)	38 - 52
Lumens (lm)	3 650 - 5 070
Efficiency (lm/W)	96 - 98
Color temp. (K)	3 500, 4 000, 5 000
CRI	80+
Weight (lbs)	8
Construction	Die-formed cold rolled steel finished in post-painted high-gloss and high reflectance (85%) white
Mounting	Surface or row mounted.



ORDERING GUIDE

Series	Size	Lamp type	Lumen package delivered ¹ (lm)	Volts (V)	Color temp. (K)	Options
L2WSN	48 - 48"	L - LED	S1 - 3 650 (38 W) S2 - 5 070 (52 W)	A - 120 H - 347 W - 120 - 277	35K - 3 500 40K - 4 000 50K - 5 000	EL - LINK emergency power conversion module DIM2 - Line voltage dimming, driver 120 V DALI - Digital addressable lighting interface driver D - Diffuser Mylar (10% more diffusion) OS - Occupancy sensor ²

¹ Approximate lumens at 4000K. Please consult the catalogue page for details.

² To see available options, please consult the catalogue page.



APPLICATIONS

- Offices
- Schools
- Commercial and institutional buildings

L3PNB

LED BACKLIT PANEL 3 CCT AND 3 POWER SELECTABLE

LINK
remote normally ON
emergency lighting luminaire

5 yrs
warranty

LED
fixture

dimmable
fixture

6
damp location

3
CCT
3 500/4 000/5 000 K

power
selectable

ICES
005

UL US

FCC

DLC OPL
LISTED

DLC OPL
LISTED
PREMIUM



DESCRIPTION

Stanpro's L3PNB LED panel lights utilize next-generation backlit technology, ensuring high performance, superior uniformity, and reduced glare. Featuring a 120-347 V driver and the versatility to change the colour temperature and lumen output with a simple switch, the L3PNB series is the premier and cost-effective solution for reducing stocking inventory. These commercial grade LED panels lights are the ideal replacement for traditional fluorescent fixtures in offices, schools, and commercial buildings.

OVERVIEW

Light source	LED
Watts (W)	20/25/30 20/30/40 30/35/40 30/40/50 40,50
Lumen output (lm)	2 400 - 5 600
Efficiency (lm/W)	110-137
Color temperature (K)	3 500/4 000/5 000 4000
CRI	82+
Net Weight (lbs)	1'X4' : 4.6, 2'X2' : 4.4, 2'X4' : 8.7

ORDERING GUIDE

Series	Size	Lamp type	Lumen Package (W) ¹	Volts (V)	Color Temperature (K) ²	Options
L3PNB	1 - 1'X4'	L	S1 - 40 PS - 20/30/40 PSP - 20/25/30	Q - 100-347 W - 100 - 277 ²	40K - 4 000 3C - 3 500/4 000/5 000	ARTXXX - Artwork ⁴ DL - Emergency back up ⁵ EL - LINK ⁶
	2 - 2'X2'					
	4 - 2'X4'		S1- 50 PS - 30/40/50 PSP - 30/35/40			

¹ See IES files or lumen specification table for more details.

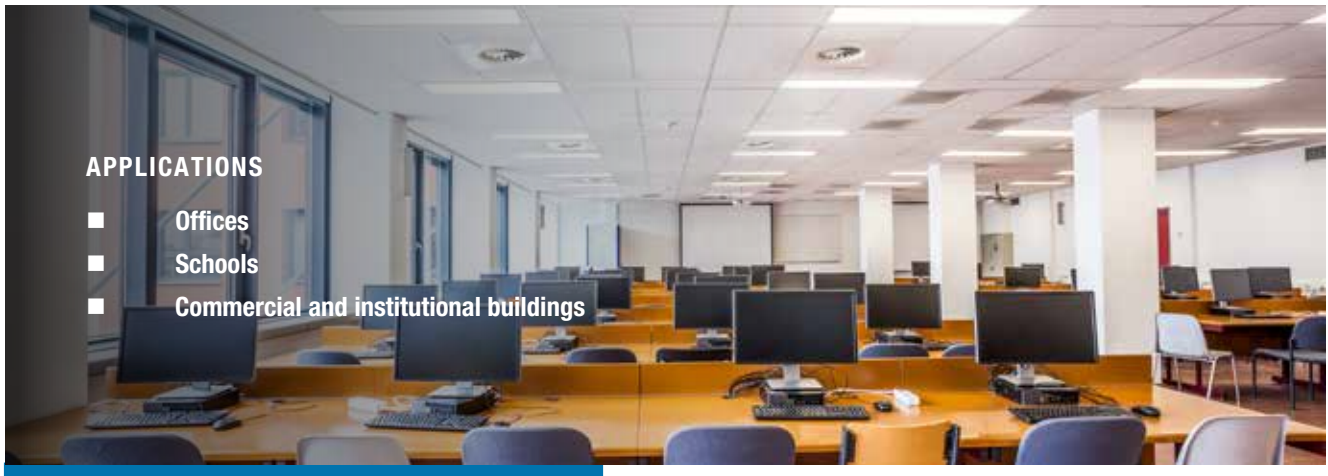
² Offered only with DL option.

³ 40K offered only with S1 lumen package, 3C offered with PS and PSP lumen packages.

⁴ Customer to supply the artwork, which is a high resolution image of at least 300 DPI or EPS (Vector format).

⁵ Suspended and surface mounting is not available when DL and EL options are selected.

⁶ Emergency power conversion module.



APPLICATIONS

- Offices
- Schools
- Commercial and institutional buildings

L3PNP

LED EDGE-LIT PANEL



¹ DLC Qualified Products: 68160, 68164, 68168

Not all products are qualified on the DLC QPL. To view our DLC qualified products, please consult the DLC Qualified Products List at www.designights.org/search.



DESCRIPTION

Boasting a universal driver that can operate from 100 V to 347 V and high lumen packages, the commercial grade panels are the perfect solution to meet required light levels in any applications. Offering an extended warranty of 10 years is a testament to the quality of the edge-lit panels that we offer. Our L3PNP series is an ideal replacement for fluorescent fixtures, schools and commercial buildings.

OVERVIEW

Light source	LED
Watts (W)	38 - 49
Lumen output (lm)	4 084 - 6 024
Efficiency (lm/W)	100 - 129
Color temperature (K)	3 000, 3 500, 4 000, 5 000
CRI	80+
Weight (lbs)	1'X4': 10.58, 2'X2': 10.6, 2'X4': 19.8

ORDERING GUIDE

Series	Size	Lumen package delivered ¹	Volts (V)	Color temp. (K)	Options ²
L3PNP	1 - 1'X4'	LS2	Q - 100 - 347	35K - 3 500 40K - 4 000 50K - 5 000	EL ³ - LINK Emergency power conversion module
	2 - 2'X2'				
	4 - 2'X4'	LS1			

¹ For technical data please refer to the quick ship and technical specification data table.

² Please check Link Technical Specifications Table for delivery lumens with /EL option.

³ Consult lead time when options are added.



APPLICATIONS

- Commercial and industrial buildings
- Offices areas
- General illumination applications

L3PNC

LED CHOICE PANEL



ICES
005



DESCRIPTION

The L3PNC Panels operate from 100 V to 277 V and have an ultra-thin profile. The sleek and modern design is easily and quickly installed. These commercial grade panels are the perfect solution to meet required light levels in any application. Our L3PNC are perfect for offices, schools and commercial buildings.

OVERVIEW

Watts (W)	37 - 50
Lumens (lm)	3 969 - 5 430
Efficiency (lm/W)	104 - 112
Color temp. (K)	3 500, 4 000, 5 000
CRI	80+
Weight (lbs)	1'X4' : 10.58, 2'X2' : 10.6, 2'X4' : 19.8
Construction	Frame is made of white aluminum alloy.
Mounting	Recessed mount standard. Dry wall, surface and suspension kits available as accessories.

ORDERING GUIDE

Series	Size	Lumen package delivered ¹	Volts (V)	Color temp. (K)	Options
L3PNC	1' - 1'X4'	LS2	W - 100 - 277	35K - 3 500	ARTXXX ² - Artwork DL ³ - Emergency back up EL ⁴ - LINK Emergency power conversion module
	2' - 2'X2'			40K - 4 000	
	4' - 2'X4'	LS1		50K - 5 000	

¹ Customer to supply the artwork, which is a high resolution image of at least 300 DPI or EPS (Vector format).

² Offered in recessed and surface mounting only when select /DL option.

³ Offered in recessed mounting only when select /DL option.

⁴ No Suspended mounting available when select /DL Option.

⁵ Please check Link Technical Specifications Table for delivery lumens with /EL option.

APPLICATIONS

- Commercial
- Industrial
- Retail
- Residential
- Coves and displays
- Task and general-area lighting

L2STN

LED STRIP WITH LENS



DESCRIPTION

The L2STN Series is a great option for retrofitting your traditional fluorescent linear luminaires to balance performance, aesthetics, and cost. These high-quality LED strip lights are equipped with a frosted lens that diffuses the light comfortably, and are ideal for a wide range of commercial and industrial applications.

OVERVIEW

Watts (W)	18/30/40 65/75/90 35, 65
Lumens (lm)	2 595 - 12 330
Efficiency (lm/W)	124 - 146
Color temp. (K)	3 500/4 000/5 000 4 000
CRI	80+
Weight (lbs)	24" : 2.20, 48" : 4.52, 96" : 9.04
Construction	24 gauge white powder painted steel and frosted PMMA lens
Mounting	Surface (standard), suspended or row mounting

ORDERING GUIDE

Series	Size	Lamp type	Lumen package (W) ¹	Volts (V)	Color temp. (K)	Options
L2STN	24 - 24"	L - LED	S1 - 20	Q - 120-347	3C - 3 500/4 000/5 000 ²	EL - LINK ^{4,5}
	48 - 48"		S3 - 35 P40 - 18/30/40		40K - 4 000 ³ 3C - 3 500/4 000/5 000 ²	
	96 - 96"		S1 - 65 P90 - 65/75/90			

¹See IES files or Lumen Specification Table for details.

²Only available with 24LS1, 48LP40 and 96LP90 lumen packages.

³Only available with 48LS3 and 96LS1 lumen packages.

⁴Emergency power conversion module.

⁵In Emergency Mode, half of the 96" luminaire will remain illuminated.



APPLICATIONS

- Commercial
- Industrial
- Retail
- Residential
- Hallways
- Common Areas

L2TLV

TRI-LEVEL LED STRIP WITH LENS



















ORDERING GUIDE

Series	Size	Lamp type	Lumen package (W) ¹	Volts (V)	Color temp. (K)	Options
L2TLV	48 - 48"	L - LED	S1 - 35	Q - 120-347	40K - 4 000 ²	EL - LINK ^{4,5}
	P40 - 18/30/40		3C - 3 500/4 000/5 000 ³			
	96 - 96"		S1 - 65			
			P90 - 65/75/90			

¹ See IES files or Lumen Specification Table for details.
² Only available with 48LS1 and 96LS1 lumen packages.
³ Only available with 48LP40 and 96LP90 lumen packages.
⁴ Emergency power conversion module.
⁵ In Emergency Mode, half of the 96" luminaire will remain illuminated.

DESCRIPTION

The L2TLV series LED strip lights feature an integrated tri-level microwave motion sensor that regulates light levels according to the occupancy of a space. These luminaires have been specially designed to prevent energy loss and to increase energy savings, by allowing the end-user to sensibly manage the degree of luminosity in applications or spaces that require continuous lighting, such as hallways and common areas.

OVERVIEW

Watts (W)	18/30/40 65/75/90 35, 65
Lumens (lm)	2 595 - 12 330
Efficiency (lm/W)	124 - 146
Color temp. (K)	3 500/4 000/5 000 4 000
CRI	80+
Weight (lbs)	48" : 4.52, 96" : 9.04
Construction	24 gauge white powder painted steel and frosted PMMA lens
Mounting	Surface (standard), suspended or row mounting

APPLICATIONS

- Commercial
- Industrial
- Retail
- Residential
- Coves and displays
- Task and general-area lighting

L2STL

LED STRIP WITH LENS

DESCRIPTION

A narrow LED lensed strip creates a smooth diffused light that is ideal for commercial, industrial, retail or residential applications. Can be used in coves and display applications. Also ideal for task and general area lighting.



OVERVIEW

Watts (W)	22 - 35
Lumens (lm)	2 530 - 4 206
Efficiency (lm/W)	107 - 142
Color temp. (K)	3 000, 3 500, 4 000, 5 000
CRI	80
Weight (lbs)	5.51
Construction	22 gauge white powder painted steel and frosted PMMA lens
Mounting	Surface (standard), suspended or row mounting



ORDERING GUIDE

Series	Size	Lamp type	Lumen package delivered (lm)	Volts (V)	Color temp. (K)	Options
L2STL	48 - 48	L - LED	S2A - 2 530 (22 W) S3A - 3 710 (35 W) S4A - 4 206 (30 W)	A - 120 H - 347 W - 120 - 277	30K - 3 000 35K - 3 500 40K - 4 000 50K - 5 000	EL - LINK emergency power conversion module DIM2 - Line voltage dimming, driver 120 V DALI - Digital addressable lighting interface driver ² OS - Occupancy sensor ²

¹ Not available for 347 V and 48" S2A.

² To see available options, please consult the catalogue page.



APPLICATIONS

- Commercial
- Industrial
- Retail
- Residential
- Coves and displays

L2SSS

LED SLIM STRIP WITH LENS

DESCRIPTION

A high performance lensed LED strip that provides smooth and uniform lighting. Ideal for commercial, industrial, retail, or residential applications. Its slim housing allows it to be installed in restricted areas such as coves and display applications.



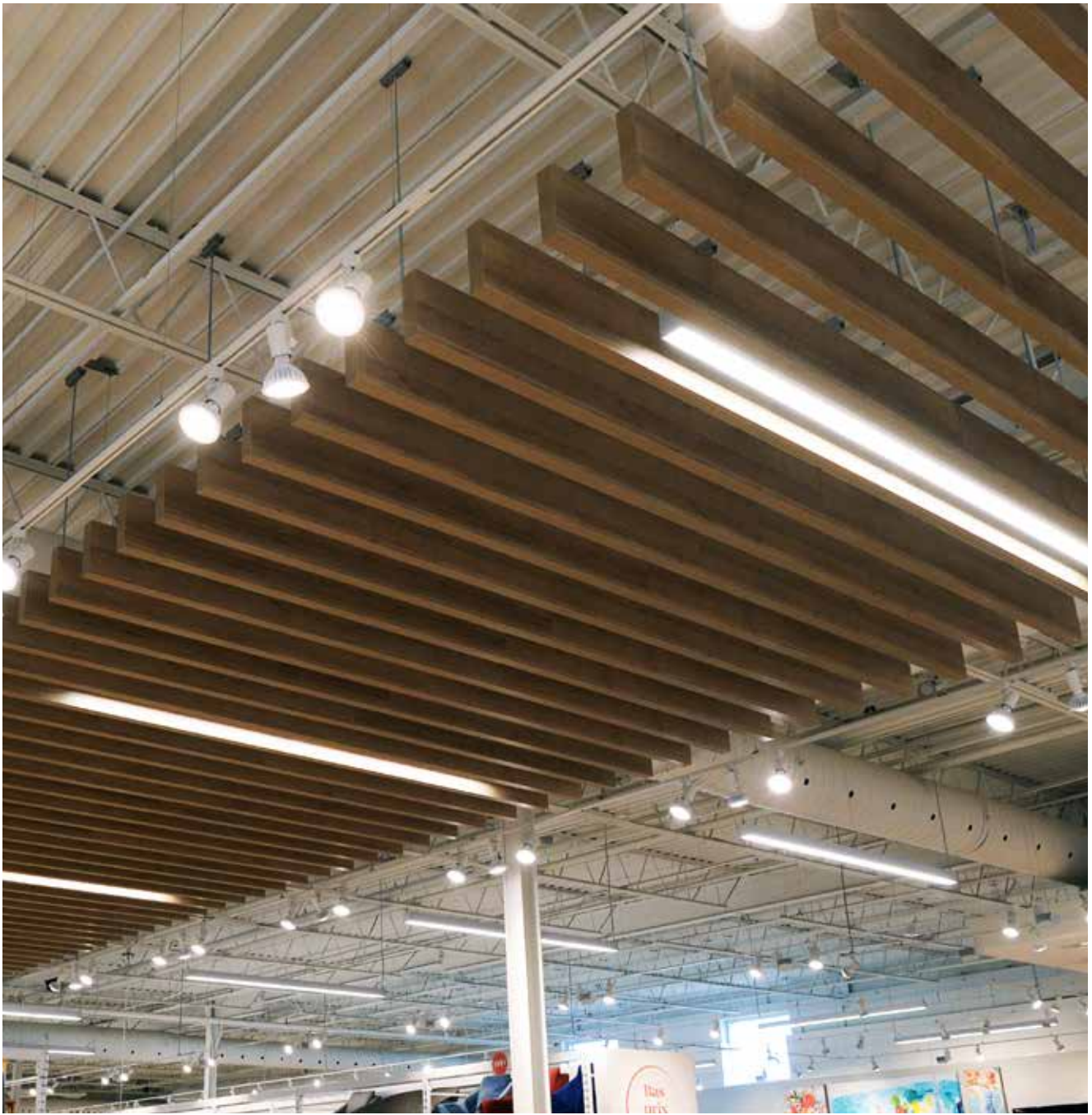
OVERVIEW

Watts (W)	20 - 46
Lumens (lm)	2 620 - 5 888
Efficiency (lm/W)	128 - 131
Color temp. (K)	4 000
CRI	80+
Weight (lbs)	24": 1.88, 48": 3.75
Construction	White powder painted steel and frosted PMMA lens
Mounting	Surface (standard), suspended or row mounting



ORDERING GUIDE

Series	Size	Lamp type	Lumen package delivered (lm)	Volts (V)	Color temp. (K)	Options
L2SSS	24 - 24"	L - LED	S1 - 2 620 (20 W)	W - 120-277	40K - 4 000	EL - LINK emergency power conversion module
	48 - 48"		S1 - 3 900 (30 W) S2 - 5 888 (46 W)			



KOLIKA

KOLIKA - L1KOU

LED LINEAR SUSPENDED

Continuous run from 2' to 100'



ICES
005



DESCRIPTION

The Kolika GEN 2 is a robust LED luminaire that offers a high-power source that is ideal for work and commercial spaces. The Kolika series allows you to achieve a consistently simple and elegant look throughout a space, without compromising the efficiency.

OVERVIEW

Light source	LED
Watts (W) †	13.6 - 36.5
Lumen output (lm/ft)	375 - 1 000
Efficiency (lm/W)	103 - 115
Color temperature (K)	3 000, 3 500, 4 000, 5 000
CRI	80+, 90+
Weight (lbs/ft)	2.9
Time (t) at which to estimate lumen maintenance (hrs)	50 000
Lumen maintenance at time (t) (%)	88.47
Calculated L70 (hrs)	150 000
Reported L70 (hrs)	>90 000

† Information base on 48" fixture.

ORDERING GUIDE

Series	Size	Lamp type	Lumen package (lm/ft)	CRI	Volts (V)	Color temp. (K)	Casting color	Power cable finish	Canopy finish	Options
L1KOU	02 - 2'	L - LED	S1 - 375	80 - 80+	A - 120	30K - 3 000	S - Silver	S - Silver	S - Silver	DIM2 - Line voltage driver 120 V DALI1 - Digital addressable lighting interface driver (Not available in 347 V) L - Aviation cable and wire (6' standard) EL - LINK emergency power conversion module
	03 - 3'		S2 - 500	90 - 90+	W - 120-277	35K - 3 500	W - White	W - White	W - White	
	04 - 4'		S3 - 750		H - 347	40K - 4 000	B - Black	B - Black	B - Black	
	05 - 5'		S4 - 1 000			50K - 5 000	SP - Special colour			
	06 - 6'									
	07 - 7'									
	08 - 8'									
	09 - 9'									
	10 - 10'									
	11 - 11'									
	12 - 12'									
	13 - 13'									
	14 - 14'									
	15 - 15'									
	16 - 16'									
	17 - 17'									
	18 - 18'									
	19 - 19'									
	20 - 20'									
	21 - 21'									

† For lengths longer than 21', please consult factory.

* Please check Link Technical Specifications Table for delivery lumens with /EL option.

KOLIKA - L2KOU

LED LINEAR SURFACE

Continuous run from 2' to 100'



ICES
005



DESCRIPTION

The Kolika GEN 2 is a robust LED luminaire that offers a high-power source that is ideal for work and commercial spaces. The Kolika series allows you to achieve a consistently simple and elegant look throughout a space, without compromising the efficiency.

OVERVIEW

Light source	LED
Watts (W) †	13.6 - 36.5
Lumen output (lm/ft)	375 - 1 000
Efficiency (lm/W)	103 - 115
Color temperature (K)	3 000, 3 500, 4 000, 5 000
CRI	80+, 90+
Weight (lbs/ft)	2.9
Time (t) at which to estimate lumen maintenance (hrs)	50 000
Lumen maintenance at time (t) (%)	88.47
Calculated L70 (hrs)	150 000
Reported L70 (hrs)	>90 000

† Information base on 48" fixture.

ORDERING GUIDE

Series	Size'	Lamp type	Lumen package (lm)	CRI	Volts (V)	Color temp. (K)	Casting color	Options
L2KOU	02 - 2'	L - LED	S1 - 375	80 - 80+ 90 - 90+	A - 120	30K - 3 000 35K - 3 500 40K - 4 000 50K - 5 000	S - Silver W - White B - Black SP - Special colour	DIM2 - Line voltage driver 120 V DALI1 - Digital adressable lighting interface driver (Not available in 347 V) EL2 - LINK emergency power conversion module
	03 - 3'		S2 - 500		W - 120-277			
	04 - 4'		S3 - 750		H - 347			
	05 - 5'		S4 - 1 000					
	06 - 6'							
	07 - 7'							
	08 - 8'							
	09 - 9'							
	10 - 10'							
	11 - 11'							
	12 - 12'							
	13 - 13'							
	14 - 14'							
	15 - 15'							
	16 - 16'							
	17 - 17'							
	18 - 18'							
	19 - 19'							
	20 - 20'							
	21 - 21'							

† For lengths longer than 21', please consult factory.

* Please check Link Technical Specifications Table for delivery lumens with /EL option.

KOLIKA - L3KOU

LED LINEAR RECESSED

Continuous run from 2' to 100'



ICES
005



DESCRIPTION

The Kolika GEN 2 is a robust LED luminaire that offers a high-power source that is ideal for work and commercial spaces. The Kolika series allows you to achieve a consistently simple and elegant look throughout a space, without compromising the efficiency.

OVERVIEW

Light source	LED
Watts (W) †	13.6 - 36.5
Lumen output (lm/ft)	375 - 1 000
Efficiency (lm/W)	103 - 115
Color temperature (K)	3 000, 3 500, 4 000, 5 000
CRI	80+, 90+
Weight (lbs/ft)	2.9
Time (t) at which to estimate lumen maintenance (hrs)	50 000
Lumen maintenance at time (t) (%)	88.47
Calculated L70 (hrs)	150 000
Reported L70 (hrs)	>90 000

† Information base on 48" fixture.

ORDERING GUIDE

Series	Size ¹	Lamp type	Lumen package (lm/ft)	CRI	Volts (V)	Color temp. (K)	Casting color	Options
L3KOU	02 - 2'	L - LED	S1 - 375	80 - 80+ 90 - 90+	A - 120	30K - 3 000 35K - 3 500 40K - 4 000 50K - 5 000	S - Silver W - White B - Black SP - Special colour	DIM2 - Line voltage driver 120 V DALI1 - Digital adressable lighting interface driver (Not available in 347 V) EL ² - LINK emergency power conversion module
	03 - 3'		S2 - 500		W - 120-277			
	04 - 4'		S3 - 750		H - 347			
	05 - 5'		S4 - 1 000					
	06 - 6'							
	07 - 7'							
	08 - 8'							
	09 - 9'							
	10 - 10'							
	11 - 11'							
	12 - 12'							
	13 - 13'							
	14 - 14'							
	15 - 15'							
	16 - 16'							
	17 - 17'							
	18 - 18'							
	19 - 19'							
	20 - 20'							
	21 - 21'							

¹ For lengths longer than 21', please consult factory.

² Please check Link Technical Specifications Table for delivery lumens with /EL option.



VAPOR TIGHT

VT2-L

LINEAR 2' WET LOCATION SERIES



ICES
005



APPLICATIONS

- Parking garages
- Stairwells
- Exterior retail areas
- Industrial
- Storage rooms
- Pedestrian tunnels
- Subway

DESCRIPTION

A 2' vapor tight ideal for a variety of industrial, commercial and residential applications providing superior light distribution.

OVERVIEW

Watts (W)	20 - 42
Lumens (lm)	2 400 - 4 600
Efficiency (lm/W)	109 - 120
Color temp. (K)	3 500, 4 000, 5 000
CRI	80+
Weight (lbs)	4.35
Ambient temp.	-40°C to +40°C
Construction	Polycarbonate housing/lens/latches and stainless mounting hardware
Mounting	Surface, suspended, rigid mono point, pivot brackets

ORDERING GUIDE

Series	Lamp type	Lumen package delivered (lm)	Volts (V)	Color temp. (K)	Options
VT2	L - LED	S1 - 2 400 (20 W) S2 - 4 600 (42 W)	A - 120 H - 347 W - 120 - 277	35K - 3 500 40K - 4 000 50k - 5 000	EL - LINK emergency power conversion module AC - Aviation cable L6 - 6' cable length L10 - 10' cable length SS - Stainless steel latches DIM1 - 0-10 V internal dimming wires ready to connect DIM2 - Line voltage dimming driver 120 V OS - Occupancy sensor ¹ KV - 10 kV Surge protector TP - Vandal resistant screws ² RMB/RMP - Rigid mount ³ PVPM/PVM - Pivot mount bracket ³ CH - Center hole 7/8"

¹ Only available with internal sensors. To see options, please consult the catalogue page

² 1 tamper proof bit provided with order. For additional tamper proof bits, see accessories.

³ Please consult the product catalogue page for complete mounting options.

VT4-L

LINEAR 4' WET LOCATION SERIES



DESCRIPTION

A 4' vapor tight ideal for a variety of industrial, commercial and residential applications providing superior light distribution.

APPLICATIONS

- Parking garages
- Stairwells
- Exterior retail areas
- Industrial
- Storage rooms
- Pedestrian tunnels
- Subway

OVERVIEW

Watts (W)	28 -39
Lumens (lm)	3 500 - 5 200
Efficiency (lm/W)	122.2 - 133.3
Color temp. (K)	3 000, 3 500, 4 000, 5 000
CRI	80+
Weight (lbs)	8.45
Ambient temp.	-40°C to +40°C
Construction	Polycarbonate housing/lens/clips and stainless steel mounting hardware
Mounting	Surface, suspended, rigid mono point, pivot brackets

ORDERING GUIDE

Series	Lamp type	Lumen package delivered (lm)	Volts (V)	Color temp. (K)	Options	
VT4	L - LED	S1A - 3 500 (28 W) S2A - 4 300 (33 W) S3A - 5 200 (39 W)	A - 120 H - 347 W - 120 - 277	30K - 3 000 35K - 3 500 40K - 4 000 50k - 5 000	EL - LINK emergency power conversion module AC - Aviation cable L6 - 6' cable length L10 - 10' cable length L6-BK - 6' black power cord L10-BK - 10' black power cord SS - Stainless steel latches KV - 10 kV Surge protector	DIM1 - 5 wire cable for AC and 0-10 V dimming ¹ DIM2 - Leading edge dimming 120 V only OS - Occupancy sensor ² TP - Vandal resistant screws ³ RMB/RMP - Rigid mount ⁴ PVPM/PVM - Pivot mount bracket ⁴ CH - Center hole 7/8" HCRI - High CRI 90+ ⁵

¹ When selecting DIM1 option please also select cable option whether L6, L10, L6-BK or L10-BK

² Only available with internal sensors. To see options, please consult the catalogue page

³ 1 tamper proof bit provided with order. For additional tamper proof bits, see accessories.

⁴ Please consult the product catalogue page for complete mounting options.

⁵ HCRI option may decrease lumen output from 15% to 19% depending on the CCT

VN4-L

LINEAR 4' WASHDOWN SERIES



quick
ship



LED
fixture



premium
grade



wet
location



Not all products are qualified on the DLC QPL. To view our DLC qualified products, please consult the DLC Qualified Products List at www.designlights.org/search.

APPLICATIONS

- Food processing facilities
- Commercial kitchens
- Industrial facilities
- Livestock containment buildings
- Parking garages
- Marinas and offshore
- Pedestrian tunnels

DESCRIPTION

The 4' sealed linear luminaires are for those applications that may require: washability/hose down, complete containment of the LEDs, the ability to withstand reduced temperatures and withstand moderate impact.

OVERVIEW

Watts (W)	30 - 60
Lumens (lm)	4 000 - 7 700
Efficiency (lm/W)	122.8 - 133.3
Color temp. (K)	3 000, 3 500, 4 000, 5 000
CRI	80+
Weight (lbs)	13
Ambient temp.	-40°C to +40°C
Construction	Fiberglass housing, impact resistant acrylic lens, pom latches and stainless steel mounting hardware
Mounting	Surface, suspended

ORDERING GUIDE

Series	Lamp type	Lumen package delivered (lm)	Volts (V)	Color temp. (K)	Options			
VN4	L - LED	S1A - 4 000 (30 W)	A - 120	30K - 3 000	EL -	LINK emergency power conversion module		
		S2A - 5 500 (40 W)	H - 347	35K - 3 500	AC -	Aviation cable kit		
		S3A - 7 700 (60 W)	W - 120 - 277	40K - 4 000	L6 -	6' white power cord	DIM1 -	5 wire cable for AC and 0-10 V dimming ¹
					L10 -	10' white power cord	DIM2 -	Leading edge dimming 120 V only
				40K - 4 000	L6-BK -	6' black power cord	OS -	Occupancy sensor ²
				50k - 5 000	L10-BK -	10' black power cord	HRCI -	High CRI 90+ ³
					SS -	Stainless steel latches	PC -	Polycarbonate ribbed frosted lens
					KV -	10 kV surge protector	SCAL -	Smooth clear acrylic lens
					TP -	Vandal resistant screws	SFAL -	Smooth frosted acrylic lens
							SCPL -	Smooth clear polycarbonate lens
							SFPL -	Smooth frosted polycarbonate lens

¹ When selecting DIM1 option please also select cable option whether L6, L10, L6-BK or L10-BK.

² Only available with internal sensors. To see options, please consult the catalogue page

³ HCRI option may decrease lumen output from 15% to 19% depending on the CCT

VN8-L

LINEAR 8' WASHDOWN SERIES



LINK
remote
normally ON
emergency lighting
luminaire

5
yrs
warranty

LED
fixture

premium
grade

66
wet
location

IP
66

IP
67

CS
C US

NSF

APPLICATIONS

- Food processing facilities
- Commercial kitchens
- Brewery and bottling facilities
- Industrial facilities
- Livestock containment building
- Parking garages

DESCRIPTION

The 8' sealed linear luminaires are for those applications that may require: washability/hose down, complete containment of the LEDs, the ability to withstand reduced temperatures and withstand moderate impact.

OVERVIEW

Watts (W)	60 - 120
Lumens (lm)	8 000 - 15 400
Efficiency (lm/W)	122.2 - 133
Color temp. (K)	3 000, 3 500, 4 000, 5 000
CRI	80+
Weight (lbs)	17.43
Ambient temp.	-40°C to +40°C
Construction	Fiberglass housing, impact resistant acrylic lens, pom latches and stainless steel mounting hardware
Mounting	Surface, suspended brackets

ORDERING GUIDE

Series	Lamp type	Lumen package delivered (lm)	Volts (V)	Color temp. (K)	Options	
VN8	L - LED	S1A - 8 000 (60 W) S2A - 11 000 (80 W) S3A - 15 400 (120 W)	A - 120 H - 347 W - 120 - 277	30K - 3 000 35K - 3 500 40K - 4 000 50k - 5 000	EL - LINK emergency power conversion module AC - Aviation cable kit L6 - 6' white power cord L10 - 10' white power cord L6-BK - 6' black power cord L10-BK - 10' black power cord SS - Stainless steel latches KV - 10 kV surge protector TP - Vandal resistant screws	DIM1 - 5 wire cable for AC and 0-10 V dimming ¹ DIM2 - Leading edge dimming 120 V only OS - Occupancy sensor ² HRCI - High CRI 90+ ³ SCAL - Smooth clear acrylic lens SFAL - Smooth frosted acrylic lens SCPL - Smooth clear polycarbonate lens SFPL - Smooth frosted polycarbonate lens

¹ When selecting DIM1 option please also select cable option whether L6, L10, L6-BK or L10-BK.

² Only available with internal sensors. To see options, please consult the catalogue page

³ HCRI option may decrease lumen output from 15% to 19% depending on the CCT



DOWNLIGHT

AR6

ARCHITECTURAL 6" LED DOWNLIGHT



LINK
remote normally ON
emergency lighting luminaire

5 yrs
warranty

LED
fixture

dimmmable
fixture

wet
location

airtight

ICES
005



APPLICATIONS

- Offices
- Hotels
- Restaurants
- Grocery stores
- Retail stores
- High ceiling application
- Architectural applications

ORDERING GUIDE

Series	Lumen package delivered (lm)	Volts (V)	Options
AR6 - Non IC	18 - 1 800	A - 120	EL - LINK Emergency Power conversion module
AR6R - Remodeler	25 - 2 500	H - 347	
	34 - 3 400		
	50 - 5 000		

ORDERING GUIDE

Series	Lumen package delivered (lm)	CRI	Baffle finish	Lens finish	Color temp. (K)	Beam angles
AR6	18 - 1 800	80 - 80+	HZ - Silver Haze	C - Clear lens ³	30K - 3 000	S - Spot ⁴
	25 - 2 500		WH - Matte White	F - Frosted lens	35K - 3 500	N - Narrow Flood
	34 - 3 400		BK - Matte Black		40K - 4 000	F - Flood
	50 - 5 000				50k - 5 000	W - Wide

¹ Lumen packages based on photometry testing with frosted lens

² For more options, please consult factory.

³ Lumen increase of 10% to be expected.

⁴ Not available with lumen package 50 - 5000 lm with frosted lens finish.

DESCRIPTION

Our architectural 6 inch LED downlight is available for new construction non-IC and remodeler in all commercial lighting applications. This specification grade LED downlight offers high versatility, can reach up to 5000 lumens and allows to choose the right amount of light required as well as the color temperature that will bring out the best in any space.

OVERVIEW

Watts (W)	19 - 51
Lumens (lm)	1 800 - 5 000
Efficiency (lm/W)	91 - 100
Color temp. (K)	3 000, 3 500, 4 000
CRI	80+
Weight (lbs)	4 - 6.12
Ambient temp.	-20°C to +45°C
Construction	Smooth baffle and trim finish available in Silver Haze, Matte White and Matte Black. Lenses are available in clear or frosted and are constructed with glass material. Non-IC frame-in kit and remodeler installation options. Housing constructed of heavy duty galvanized steel with built-in thermal protection.
Mounting	Recessed

CR6

COMMERCIAL 6" LED DOWNLIGHT



¹ Wet location when using frosted or clear lens

APPLICATIONS

- Offices
- Hotels
- Restaurants
- Grocery stores
- Retail stores
- High ceiling application
- Commercial applications

ORDERING GUIDE

Series	Lumen package delivered (lm) ¹	Voltage (VAC)	Options
CR6 - Non IC	18 - 1 800	A - 120	EL - LINK Emergency Power conversion module
CR6R - Remodeler	25 - 2 500	H - 347	
	34 - 3 400		
	50 - 5 000		

¹ Please note that each housing and trim should correspond to a specific lumen package. For more information, please see Trims Ordering Guide above.

ORDERING GUIDE

Series	Lumen package delivered (lm)	CRI	Reflector finish	Baffle finish	Flange finish	Color temp. (K)	Beam angles	Options ²
CR6	18 - 1 800	80 - 80+	C - Clear	B - Black	W - White	27 K - 2 700	S - Spot (15)	F - Frosted lens ³
	25 - 2 500	90 - 90+	W - White	W - White	B - Black	30 K - 3 000	N - Narrow flood (24)	L - Clear lens
	34 - 3 400			O - No baffle		35 K - 3 500	F - Flood (38)	
	50 - 5 000					40 K - 4 000	W - Wide (60)	

¹ Refer to beam distribution chart for more details.

² When selecting lens options F (frosted lens) or L (Clear lens), you must select a Baffle finish of B (Black) or W (White). The "No Baffle" option does not apply when a lens option is selected.

³ Lumen loss of 15%-18% to be expected.

DESCRIPTION

Our commercial 6 inch LED downlight is available for Non-IC and remodeler construction and is suitable for all commercial lighting applications. The CR6 comes in a variety of lumen packages, colour temperatures and beam angles to suit your needs.

OVERVIEW

Watts (W)	19 - 51
Lumens (lm)	1 964 - 5 088
Efficiency (lm/W)	99 - 101
Color temp. (K)	2 700, 3 000, 3 500, 4 000
CRI	80+ , 90+
Weight (lbs)	4 - 6.12
Ambient temp.	-20°C to +45°C
Construction	Trims constructed with cold rolled steel. A variety of trims styles and colours are available. Lenses are available in clear or frosted and are constructed with glass material. Non-IC frame-in kit and remodeler installation options. Housing constructed of heavy duty galvanized steel with built-in thermal protection.
Mounting	Recessed

REC4-L

4" RECESSED LED

With Integrated Cob and Driver



Integrated COB and driver



¹ 5 year warranty for the LINK module

DESCRIPTION

The 4" recessed LED series is developed with an integrated COB and built in driver with a choice of two lumen options. This fixture is ideal for commercial and residential use, proposing a variety of trim selections and beam angles.

OVERVIEW

Light source	LED
Watts (W)	9 - 13
Lumen output (lm) ¹	1 153 - 1 635
Efficiency (lm/W)	128 - 122.5
Color temperature (K)	2 700, 3 000, 3 500, 4 000
CRI	80+, 90+
Weight (lbs)	1.968

¹ Lumen information is based on medium beam reflector and 3 000 K color temperature.

ORDERING GUIDE - HOUSINGS

Housing ¹	Lumen package (lm)	Volts (VAC)	Options
REC4 - Non IC	LS2 - 1 092 - 1 204	A - 120 ²	DIM1 - 0-10 V DC dimming
REC4R - Remodeler	LS3 - 1 533 - 1 690	E - 277 ³	EL - LINK Emergency Power conversion module ⁴
REC4IC - IC		H - 347 ³	

¹ Please note each housing and trim should correspond to a specific lumen package. For more information please see table below.

² A- 120 V comes standard with line voltage dimming unless DIM1 is chosen.

³ E- 277 V and H- 347 V come standard with DIM1 option.

⁴ Not available with REC4 - Non IC, only available with REC4R - Remodeler and REC4IC - IC

ORDERING GUIDE - TRIMS

Trims	Lumen package ² (lm)	CRI	Finish	Color temp. (K)	Beam angles ⁴ (°)
REC401	LS2 - 1 153	80 - 80+	CL-WH - Clear - White	27K - 2 700	S - Spot (19)
REC402	LS3 - 1 635	90 - 90+	BK - Black	30K - 3 000	M - Medium (24)
			BZ - Bronze	35K - 3 500 ³	F - Flood (43)
			SC - Satin chrome	40K - 4 000	
			WH - White		
REC403			BK-SC - Black - Satin chrome		
			WH-WH - White - White		
REC407 ¹			SC - Satin chrome		
			WH - White		
REC408			WH - White		

¹ Wet location.

² Lumen is based on the medium beam angle at 3 000 K. Please refer to IES files or below lumen tables for more information.

³ 3 500K is only available with 80+ CRI.

⁴ Refer to the photometrics chart for more details.



COMPATIBLE BATTERY UNITS

SLBN

WET LOCATION BATTERY UNIT NSF, NEMA 4X



- Volts (V) : 12
- Watts (W) : 36, 50, 72, 100, 130
- Housing color : White, Black



SLA

STEEL BATTERY UNIT



- Volts (V) : 12
- Watts (W) : 36, 50, 72
- Housing color : White, Black, Grey



SLB

STEEL BATTERY UNIT



- Volts (V) : 12
- Watts (W) : 100
- Housing color : White, Black, Grey



SLC

STEEL BATTERY UNIT



- Volts (V) : 12, 24
- Watts (W) : 144, 160, 180, 200, 250, 320, 360
- Housing color : White, Black, Grey



SLD

STEEL BATTERY UNIT



- Volts (V) : 24
- Watts (W) : 350, 550, 720
- Housing color : White, Black, Grey



SLBIF

STEEL BATTERY UNIT



- Volts (V) : 12, 24
- Watts (W) : 36, 50, 72, 100, 160, 200, 250, 320, 350, 360, 550, 720
- Housing color : Grey



SLSOR

RECESSED STEEL BATTERY UNIT



- Volts (V) : 12, 24
- Watts (W) : 36, 50, 72, 100, 144, 160, 200, 250, 320
- Housing color : White, Black, Grey, Whist



dry
location

PRMS

STEEL COMBO UNIT



- Volts (V) : 12
- Watts (W) : 36, 50, 72
- Housing color : White, Black, Grey



dry
location

PRMXL

ALUMINUM COMBO UNIT



- Volts (V) : 12
- Watts (W) : 36, 50, 72
- Housing color : White, Black, Grey



dry
location

RMSLC

UNIBODY STEEL COMBO UNIT



- Volts (V) : 12, 24
- Watts (W) : 36, 50, 72, 100, 144, 160, 200
- Housing color : White, Black



dry
location

PRMR

COMBO RAINSTORM NEMA4X/EEMAC4X



- Volts (V) : 12
- Watts (W) : 36, 50, 72, 100
- Housing color : White, Black, Grey



wet
location





Printed in Canada.
© 2021 STANDARD Products Inc. All Rights Reserved.

Data is based upon tests performed in a controlled environment.
Actual performance can vary depending on operating conditions.
All products are subject to change or may be discontinued any time
without notice.

For the latest version, please refer to our website.
www.standardpro.com



STANPRO



standardpro.com

STANPRO