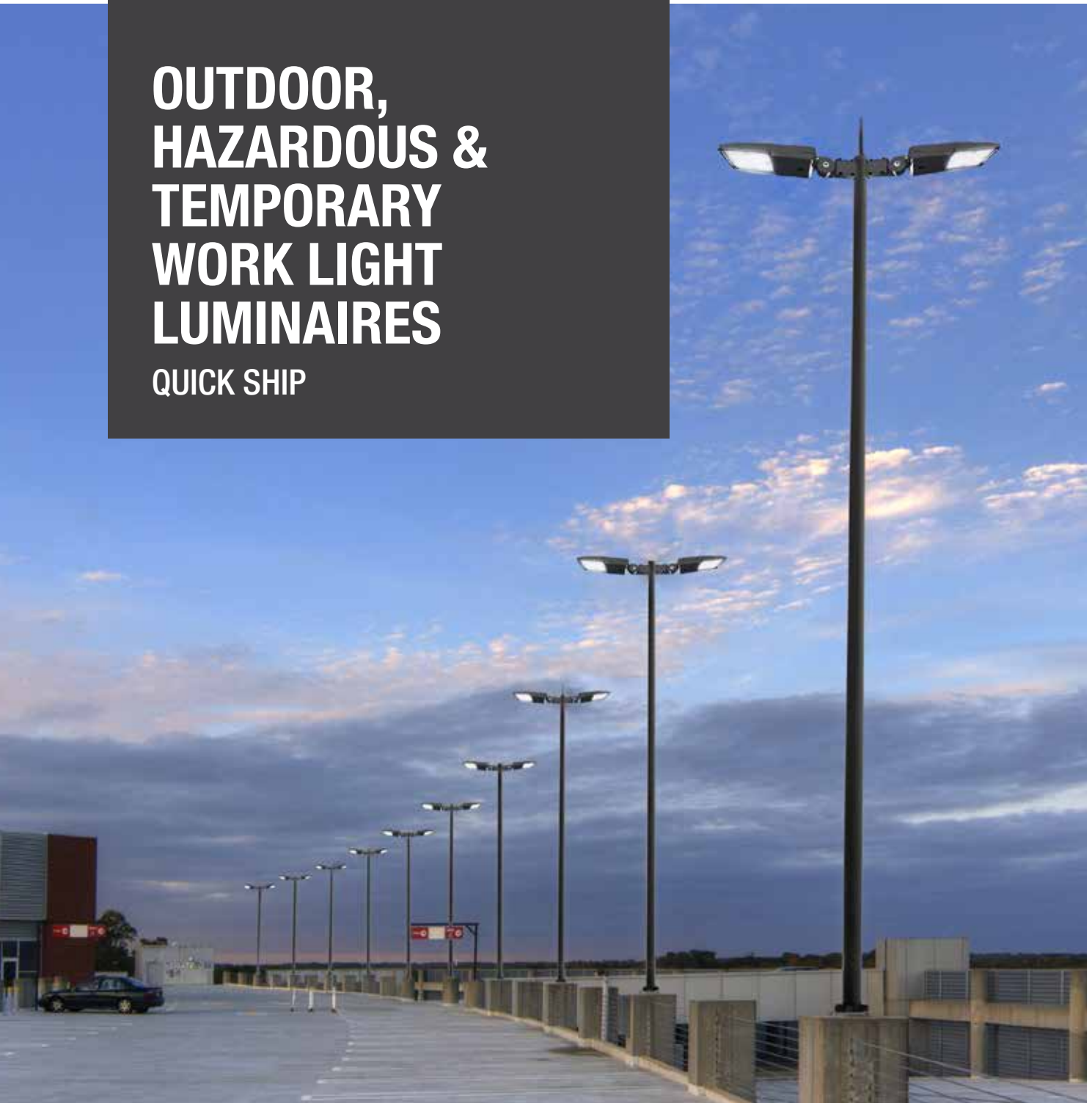




# OUTDOOR, HAZARDOUS & TEMPORARY WORK LIGHT LUMINAIRES

QUICK SHIP



**STANPRO**

## **4 OUTDOOR LIGHTING**

Wall Pack, Flood Luminaire, Flood and Area Light, Yard Light, Lamp post, Bollard, Under canopy and garage, Security Light

## **18 HAZARDOUS LOCATION LIGHTING**

Flood Luminaire, High Bay, Linear Luminaire

## **23 TEMPORARY WORK LIGHT**

Temporary High Bay, Portable Flood Light, AC Flood Light, Accessories



# Outdoor Lighting

Stanpro offers a wide range of LED outdoor luminaires that are perfect for a large variety of applications which create a visual impact for your building. Whether you need to light up a pathway, entryway, parking area or enhance architectural features, you are sure to find the perfect lighting solution for your needs!

# Wall Pack

Stanpro's wide variety of Wall Pack luminaires is perfect for many applications such as offices buildings, entryways, schools or parking areas. They are offered in different housing colors and wattages to create a seamless look with your environment. Certain Wall Packs come with integrated photocell, selectable power and/or selectable color temperature.



WPS GEN 4



WPS-L GEN 3

Order code	Model number	DLC unique ID	Watts (W)	Volts (V)	Color temp. (K)	Lumen output (lm)	Efficiency (lm/W)	Photo-cell <sup>1</sup>	CRI	Life L70 (hrs)	Tested hours LM-80 (hrs)	Calculated TM21 (hrs)	Finish	Dimming	B.U.G.	LED current (mA)	Power factor	THD (%)	Case qty (master)
------------	--------------	---------------	-----------	-----------	-----------------	-------------------	-------------------	-------------------------	-----	----------------	--------------------------	-----------------------	--------	---------	--------	------------------	--------------	---------	-------------------

## WPS GEN 4

### Power Select, CCT Select and Integrated Photocell<sup>1</sup>

68314	WPS-PS40-Q-3C	PLW61NEJG50K	25/30/40	120-347	3 000/4 000/5 000	3 875/4 500/5 800 <sup>2</sup>	141	Yes	>80	54 000	9 000	173 600	Bronze	Yes	B1U3G4	850	≥0.9	≤20	1
68315	WPS-PS100-Q-3C	PLE7PYF9LCSH	60/80/100	120-347	3 000/4 000/5 000	9 300/12 000/14 500 <sup>2</sup>	137	Yes	>80	54 000	9 000	173 600	Bronze	Yes	B1U3G4	2 100	≥0.9	≤20	1

### Single Power, Single CCT and Integrated Photocell<sup>1</sup>

68524	WPS-NS30-W-40K/P127		29	120-277	4 000	4 200	150	Yes	>80	54 000	9 000	173 600	Bronze	Yes	B1U3G5	230	≥0.9	≤20	1
68525	WPS-NS30-W-50K/P127		29	120-277	5 000	4 300	148	Yes	>80	54 000	9 000	173 600	Bronze	Yes	B1U3G5	230	≥0.9	≤20	1

### Single Power and Single CCT

68490	WPS-NS40-W-40K	PLVM09BUX07G	40	120-277	4 000	6 004	142	No	>80	54 000	9 000	173 600	Bronze	Yes	B1U3G4	354	≥0.9	≤20	1
68491	WPS-NS40-W-50K	PL3JULW7TEV5H	40	120-277	5 000	6 034	144	No	>80	54 000	9 000	173 600	Bronze	Yes	B1U3G4	354	≥0.9	≤20	1
68492	WPS-NS60-W-40K	PL6EFOUTBPWB	60	120-277	4 000	8 458	146	No	>80	54 000	9 000	173 600	Bronze	Yes	B1U3G5	486	≥0.9	≤20	1
68493	WPS-NS60-W-50K	PL01JETYSQ80	60	120-277	5 000	8 611	147	No	>80	54 000	9 000	173 600	Bronze	Yes	B1U3G5	486	≥0.9	≤20	1
68497	WPS-NS80-W-40K	PLVXL8TOP2UF	80	120-277	4 000	11 242	146	No	>80	54 000	9 000	173 600	Bronze	Yes	B1U4G5	645	≥0.9	≤20	1
68498	WPS-NS80-W-50K	PL2AZJG3LORQ	80	120-277	5 000	11 446	148	No	>80	54 000	9 000	173 600	Bronze	Yes	B1U4G5	645	≥0.9	≤20	1

### Single Power, CCT Select and Integrated Photocell<sup>1</sup>

68316	WPS-NS120-Q-3C	PLYRMZYS3AY3	120	120-347	3 000/4 000/5 000	16 943	137	Yes	>80	54 000	9 000	173 600	Bronze	Yes	B2U4G5	2 600	≥0.9	≤20	1
-------	----------------	--------------	-----	---------	-------------------	--------	-----	-----	-----	--------	-------	---------	--------	-----	--------	-------	------	-----	---

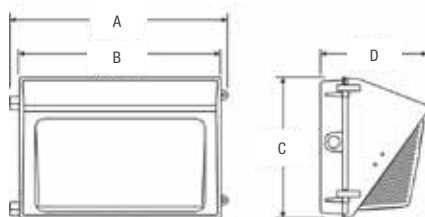
<sup>1</sup> Integrated ON/OFF photocell that can be easily disabled.

<sup>2</sup> Lumen values are based on 4 000 K default settings. Please refer to spec sheet for more details on other color temperatures.

Part number	Watts (W)	Volts (V)	Color temp. (K)	Lumen output (lm)	Efficiency (lm/W)	CRI	Life L70 (hrs)	Tested hours LM-80 (hrs)	LED current (mA)	Power factor	THD (%)	Traditional equivalent (W)	Case qty (master)
-------------	-----------	-----------	-----------------	-------------------	-------------------	-----	----------------	--------------------------	------------------	--------------	---------	----------------------------	-------------------

## WPS-L GEN 3

WPS-LC21	40	120-277	4 000	4 100	103	80	>54 000	9 000	79	0.96	9	150	150	1
WPS-LC22	40	347-480	4 000	4 400	110	70	>54 000	9 000	77	0.87	17	150	150	1
WPS-LC42	80	347-480	4 000	8 500	106	70	>54 000	9 000	86	0.90	10	280	193	1
WPS-LC22-50K	40	347-480	5 000	4 480	112	70	>54 000	9 000	77	0.87	17	150	150	1



Dimensions	WPS GEN 4	WPS-L GEN 3
A	14.37" (365 mm)	14.25" (367 mm)
B	13.1" (333 mm)	13.4" (340 mm)
C	9.33" (237 mm)	9" (236 mm)
D	7.36" (187 mm)	7.25" (181 mm)



Lumen values are derived from photometric testing.  
<sup>1</sup> Only some configurations of WPS GEN 4.



WFC



WPR-L



WPA-L



WCI-L

Order code	Model number	Watts (W)	Volts (V)	Color temp. (K)	Lumen output (lm)	Efficiency (lm/W)	CRI	Life L70 (hrs)	Distrib. type	Finish	Dimming	Power factor	THD (%)	Traditional equivalent (W)		Case qty (master)
														HM	SHP	

**WFC**

68607	WFC-PS60A3-Q-3C-BR-P	25/40/60	120-347	3 000/4 000/5 000	3 625/5 640/8 220 <sup>1</sup>	122-137	80	50 000	III	Bronze	Yes	≥0.9	≤20	175-400	175-250	1
68608	WFC-PS100A3-Q-3C-BR-P	80/100	120-347	3 000/4 000/5 000	11 520/14 000 <sup>1</sup>	123-140	80	50 000	III	Bronze	Yes	≥0.9	≤20	400-1 000	250-400	1

Order code	Model number	Watts (W)	Volts (V)	Color temp. (K)	Lumen output (lm)	Efficiency (lm/W)	CRI	LED current (mA)	Finish	Dimming (Yes/No)	Power factor	THD (%)	Traditional equivalent (W)		Case qty (master)	
														HM	SHP	

**WPR-L**

65565	LWP/FCO/50W/30K/120-277/BRZ/STD	48	120-277	3 000	5 656	119	80+	520	Bronze	No	0.99	< 14	175	150	1
65567	LWP/FCO/80W/30K/120-277/BRZ/STD	78	120-277	3 000	8 789	113	80+	1 500	Bronze	Yes	0.99	< 11	250	200	1

Order code	Model number	Watts (W)	Volts (V)	Color temp. (K)	Lumen output (lm)	Efficiency (lm/W)	Photocell (Yes/No)	CRI	Distribution type	Finish	Dimming (Yes/No)	B.U.G.	Traditional equivalent (W)		Case qty (master)	
														HM	SHP	

**WPA-L GEN 2**

68722	WPA-LS1B-W-3C-BR-P	20	120-277	3 000/4 000/5 000	2 261	113	Yes	73	III	Bronze	Yes	B1 U3 G1	70 - 100	70	6
-------	--------------------	----	---------	-------------------	-------	-----	-----	----	-----	--------	-----	----------	----------	----	---

Order code	Model number	Watts (W)	Volts (V)	Color temp. (K)	Lumen output (lm)	Efficiency (lm/W)	Life L70 (hrs)	Tested hours LM-80 (hrs)	Calculated TM21 (hrs)	CRI	Finish	Dimming (Yes/No)	B.U.G.	LED current (mA)	Power factor	THD (%)	Case qty (master)
------------	--------------	-----------	-----------	-----------------	-------------------	-------------------	----------------	--------------------------	-----------------------	-----	--------	------------------	--------	------------------	--------------	---------	-------------------

**WCI-L**

68311	WCI-LS1-W/30K-BR	15	120-277	3 000	1 725	118	>54 000	9 000	140 000	80	Bronze	No	B1U3G2	310	> 0.94	13	10
68312	WCI-LS2-W/3C-BR	20	120-277	4 000/4 500/5 000	2 522/2 926/2 637	127	>54 000	9 000	140 000	80	Bronze	No	B1U3G2	310	> 0.94	13	10
68313	WCI-LS2-W/3C-WH	20	120-277	4 000/4 500/5 000	2 522/2 926/2 637	127	>54 000	9 000	140 000	80	White	No	B1U3G2	310	> 0.94	13	10

Dimensions	WFC 25/40/60 W	WFC 80/100 W	WPR-L	WPA-L	WCI-L
Length	14 3/16" (360 mm)	14 3/16" (360 mm)	14 5/16" (364 mm)	6 7/8" (174.2 mm)	5 13/16" (147.64 mm)
Width	6 9/16" (166 mm)	9 5/8" (245 mm)	9 1/4" (235 mm)	10 15/16" (278.5 mm)	8 9/16" (217.93 mm)
Depth	9 5/16" (236 mm)	9 5/16" (236 mm)	8 1/16" (205 mm)	5 3/16" (132.1 mm)	3 1/16" (77.98 mm)

<sup>1</sup> Lumen values are based on 4 000 K default settings. Please refer to Spec Sheet for more details on other color temperatures.

<sup>2</sup> Only WFC.

Lumen values are derived from photometric testing. For a complete list of compatible dimmers and DLC qualified products, please visit [www.standardpro.com](http://www.standardpro.com).





WPV-L

Order code	Part number	Watts (W)	Volts (V)	Color temp. (K)	Lumen output (lm)	Efficiency (lm/W)	CRI	Finish	Dimming (Yes/No)	LED current (mA)	Power factor	THD (%)	Traditional equivalent (W)		Case qty (master)
WPV-L													HM	SHP	
65576	LWP/SLM/S2/80W/40K/120-277/BRZ/STD	81	120-277	4 000	9 056	112	80+	Bronze	Yes	1000	0.99	< 13	250	200	2



WTL

Order code	Model number	Watts (W)	Volts (V)	Color temp. (K)	Lumen output (lm) <sup>1</sup>	Efficiency (lm/W)	CRI	Life L70 (hrs)	Beam angle (°)	Finish	Dimming (Yes/No)	Power factor	THD (%)	Traditional equivalent (W)		Case qty (master)
WTL <sup>2</sup>														MH	HPS	
68768	WTL-PS30A-Q-3C-BR-P	15/30	120-347	3 000/4 000/5 000	2 100-3 925	137-140	70+	50 000	90 x 110	Bronze	Yes	≥0.90	≤20	70 - 150	70 - 100	8
68769	WTL-PS80A-Q-3C-BR-P	50/80	120-347	3 000/4 000/5 000	7 000-10 392	139-140	70+	50 000	90 x 110	Bronze	Yes	≥0.90	≤20	175 - 400	150 - 250	4



<sup>1</sup> Lumen values are based on 4 000 K default settings. Please refer to Quick Ship Technical Specification Table for more details on other color temperatures.

<sup>2</sup> Integrated ON/OFF photocell that can be easily disabled.

Lumen values are derived from photometric testing.

For a complete list of compatible dimmers, please visit [www.standardpro.com](http://www.standardpro.com).



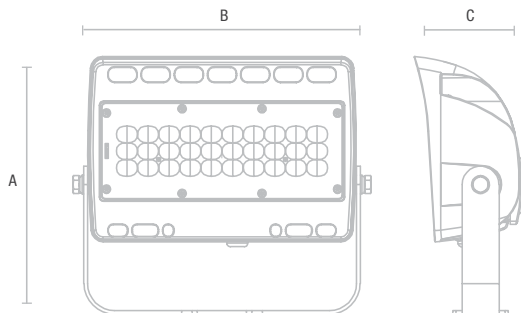
# Flood Luminaire

Flood luminaires are perfect for various applications such as wall washing, lighting pathways, landscape or signage lighting. They are offered in multiple wattages to fit both residential and commercial uses, and have a wide flood distribution for a large and uniform light pattern.



Yoke 30, 50 W

Order code	Description	Watts	Volts	Color temp.	CRI	Life L70 (hrs)	Lumen output (lm)	Finish	NEMA type	Traditionnal equivalent (W)		Case qty (master)
		(W)	(V)	(K)						MH	HPS	
65591	LFL/S2/30W/40K/YK/120-277/BRZ/STD	30	120-277	4 000	80	50 000	3 400	Bronze	7H x 7V	100	70	6
65593	LFL/S2/50W/40K/YK/120-277/BRZ/STD	50	120-277	4 000	80	50 000	6 000	Bronze	7H x 7V	175	150	6



Dimensions	30 W	50 W
A	7 3/16" (183 mm)	8 1/4" (210 mm)
B	7 13/16" (198 mm)	9 1/2" (242 mm)
C	3 1/16" (78 mm)	3 9/16" (90 mm)

Lumen values are derived from photometric testing.

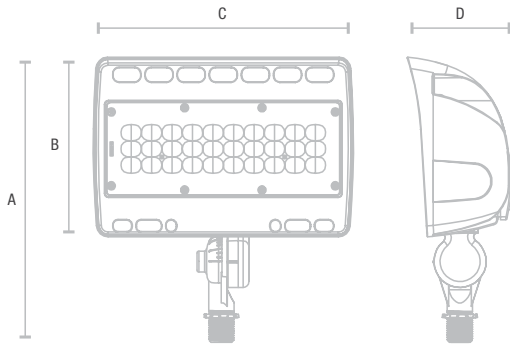


Knuckle 12 W



Knuckle 30, 50 W

Order code	Description	Watts	Volts	Color temp.	CRI	Life L70 (hrs)	Lumen output (lm)	Finish	NEMA type	Traditionnal equivalent (W)		Case qty (master)
		(W)	(V)	(K)						MH	HPS	
65583	LFL/S2/12W/30K/KN/120-277/BRZ/STD	12	120-277	3 000	80	50 000	1 270	Bronze	7H x 6V	50	35	8
65584	LFL/S2/12W/30K/KN/120-277/WH/STD	12	120-277	3 000	80	50 000	1 270	White	7H x 6V	50	35	8
65585	LFL/S2/12W/30K/KN/120-277/BLK/STD	12	120-277	3 000	80	50 000	1 300	Black	7H x 6V	50	35	12
65587	LFL/S2/12W/40K/KN/120-277/WH/STD	12	120-277	4 000	80	50 000	1 400	White	7H x 6V	50	35	12
65586	LFL/S2/12W/40K/KN/120-277/BRZ/STD	12	120-277	4 000	80	50 000	1 400	Bronze	7H x 6V	50	35	12
65588	LFL/S2/12W/40K/KN/120-277/BLK/STD	12	120-277	4 000	80	50 000	1 400	Black	7H x 6V	50	35	12
65590	LFL/S2/30W/30K/KN/120-277/BRZ/STD	30	120-277	3 000	80	50 000	3 200	Bronze	7H x 7V	100	70	6
65589	LFL/S2/30W/40K/KN/120-277/BRZ/STD	30	120-277	4 000	80	50 000	3 400	Bronze	7H x 7V	100	70	6
65592	LFL/S2/50W/40K/KN/120-277/BRZ/STD	50	120-277	4 000	80	50 000	6 000	Bronze	7H x 7V	175	150	6



Dimensions	12 W	30 W	50 W
A	5 5/8" (143 mm)	6 7/8" (175 mm)	9 13/32" (239 mm)
B	3 1/4" (83 mm)	4 3/4" (121 mm)	5 15/16" (151 mm)
C	4 3/4" (120 mm)	6 7/8" (175 mm)	8 5/8" (219 mm)
D	2 5/8" (66 mm)	3 1/16" (78 mm)	3 9/16" (90 mm)

## Accessories

Order code	Description	Type	Finish	Compatible with
64150 <sup>1</sup>	KN/ACC/WPCOVER/BRZ/STD	Weather proof cover plate	Bronze	63323, 65586, 65589, 65590, 65592
64208 <sup>1</sup>	KN/ACC/WPCOVER/WH/STD	Weather proof cover plate	White	64217, 65587
64209 <sup>1</sup>	KN/ACC/WPCOVER/BLK/STD	Weather proof cover plate	Black	65585, 65588



<sup>1</sup> 2 screws (10/24") and foam plate included with weather proof cover plate





# FLB Series

This versatile family of highly efficient and powerful LED flood lights features a wide range of lumen packages, external selectable power switches on certain configurations and multiple color temperature options as well as various mounting options. Finished in bronze, with its modern

design, each luminaire is compatible with various universal mountings which allow for wall, ground and pole mount. Typical applications include general lighting of grounds, storage yards, car dealerships, parking areas as well as flood lighting of signs and building facades.



100 W



150 W



230 W



300 W



400 W



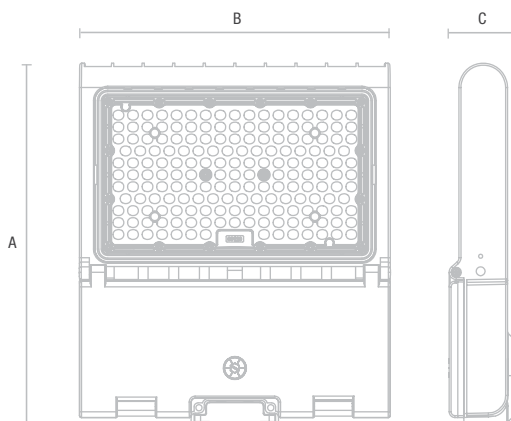
50/80/100/150 W



150/200/240/300 W



CCT and Power Selectable Integrated Switches



Dimensions	100 W 150 W	230 W 50/80/100/150 W	300 W	400 W 150/200/240/300 W
A	12 1/4" (312 mm)	14 3/4" (375 mm)	17 7/8" (454 mm)	22 3/8" (569 mm)
B	12 5/8" (320 mm)	12 5/8" (320 mm)	12 5/8" (320 mm)	12 5/8" (320 mm)
C	2 5/8" (65 mm)	2 5/8" (65 mm)	2 3/4" (70 mm)	2 3/4" (70 mm)

Order code	Model number	Watts	Volts	Color temp.	Lumen output	Efficiency	CRI	Distribution type	Finish	Dimming	B.U.G	EPA	Life L70 (hrs)	LED current (mA)	Power factor	THD (%)	Traditional equivalent (W)		Case qty (master)
		(W)	(V)	(K)	(lm)	(lm/W)											MH	HPS	
<b>Single Power and Single CCT</b>																			
68547	FLBS-L1AM-W-4K-BR	100	120-277	4000	13 127	131	70	7Hx6V	Bronze	Yes	B3-U0-G2	1.07	>60000	0.87-0.38	0.997	5.34	250-400	250-400	1
68548	FLBS-L1AM-I-4K-BR	102	347-480	4000	13 753	135	70	7Hx6V	Bronze	Yes	B3-U0-G2	1.07	>60000	0.5	0.907	12.82	250-400	250-400	1
68549	FLBS-L2AM-W-4K-BR	151	120-277	4000	21 316	141	70	7Hx6V	Bronze	Yes	B4-U0-G3	1.07	>60000	1.412-0.601	0.995	5.14	400-1000	400-1000	1
68550	FLBS-L2AM-I-4K-BR	151	347-480	4000	20 649	137	70	7Hx6V	Bronze	Yes	B4-U0-G3	1.07	>60000	0.8	0.934	10.49	400-1000	400-1000	1
68551	FLBM-L3AM-W-4K-BR	234	120-277	4000	33 728	144	70	7Hx7V	Bronze	Yes	B5-U0-G3	1.3	>60000	2.191-0.947	0.997	6.01	400-1000	400-1000	1
68552	FLBM-L3AM-I-4K-BR	230	347-480	4000	31 954	139	70	7Hx7V	Bronze	Yes	B5-U0-G3	1.3	>60000	1.8	0.922	12.53	400-1000	400-1000	1
68553	FLBL-L4AM-W-4K-BR	300	120-277	4000	41 709	139	70	7Hx6V	Bronze	Yes	B5-U0-G3	1.56	>60000	2.703-1.168	0.998	5.87	400-1000	1000	1
68554	FLBL-L4AM-I-4K-BR	283	347-480	4000	40 569	144	70	7Hx6V	Bronze	Yes	B5-U0-G3	1.56	>60000	1.5	0.905	16.26	400-1000	1000	1
68555	FLBX-L5AM-W-4K-BR	396	120-277	4000	58 000	145	70	7Hx7V	Bronze	Yes	B5-U0-G4	1.96	>60000	3.618-1.613	0.998	2.91	1000	1000	1
68556	FLBX-L5AM-I-4K-BR	400	347-480	4000	57 654	144	70	7Hx7V	Bronze	Yes	B5-U0-G4	1.96	>60000	2.09	0.955	7.56	1000	1000	1
68557	FLBS-L1AM-W-5K-BR	100	120-277	5000	13 255	133	70	7Hx6V	Bronze	Yes	B3-U0-G2	1.07	>60000	0.87-0.38	0.997	5.34	250-400	250-400	1
68558	FLBS-L1AM-I-5K-BR	102	347-480	5000	13 889	136	70	7Hx6V	Bronze	Yes	B3-U0-G2	1.07	>60000	0.5	0.907	12.82	250-400	250-400	1
68559	FLBS-L2AM-W-5K-BR	151	120-277	5000	21 518	142	70	7Hx6V	Bronze	Yes	B4-U0-G3	1.07	>60000	1.412-0.601	0.995	5.14	400-1000	400-1000	1
68560	FLBS-L2AM-I-5K-BR	151	347-480	5000	20 846	138	70	7Hx6V	Bronze	Yes	B4-U0-G3	1.07	>60000	0.8	0.934	10.49	400-1000	400-1000	1
68561	FLBM-L3AM-W-5K-BR	234	120-277	5000	34 040	146	70	7Hx7V	Bronze	Yes	B5-U0-G3	1.3	>60000	2.191-0.947	0.997	6.01	400-1000	400-1000	1
68562	FLBM-L3AM-I-5K-BR	230	347-480	5000	32 239	140	70	7Hx7V	Bronze	Yes	B5-U0-G3	1.3	>60000	1.8	0.922	12.53	400-1000	400-1000	1
68563	FLBL-L4AM-W-5K-BR	300	120-277	5000	42 098	140	70	7Hx6V	Bronze	Yes	B5-U0-G3	1.56	>60000	2.703-1.168	0.998	5.87	400-1000	1000	1
68564	FLBL-L4AM-I-5K-BR	283	347-480	5000	40 945	145	70	7Hx6V	Bronze	Yes	B5-U0-G3	1.56	>60000	1.5	0.905	16.26	400-1000	1000	1
68565	FLBX-L5AM-W-5K-BR	396	120-277	5000	58 000	146	70	7Hx7V	Bronze	Yes	B5-U0-G4	1.96	>60000	3.618-1.613	0.998	2.91	1000	1000	1
68566	FLBX-L5AM-I-5K-BR	400	347-480	5000	58 148	145	70	7Hx7V	Bronze	Yes	B5-U0-G4	1.96	>60000	2.09	0.955	7.56	1000	1000	1

### Power and CCT Select

68567	FLBM-PS150M-W-3C-BR	50/ 80/ 100/ 150	120-277	3 000/ 4 000/ 5 000	6 950/ 11 200/ 13 500/ 18 900 <sup>1</sup>	125	70	7Hx7V	Bronze	Yes	B4-U0-G1	1.3	>54000	1.411-0.595	0.995	5.73	175-400	150-400	1
68568	FLBX-PS300M-W-3C-BR	150/ 200/ 240/ 300	120-277	3 000/ 4 000/ 5 000	23 000/ 29 100/ 33 600/ 37 500 <sup>1</sup>	129	70	7Hx7V	Bronze	Yes	B4-U0-G1	1.96	>54000	2.64-1.18	0.998	4.26	400-1000	400-1000	1

## Quick and Easy Mounting accessories (Sold separately)<sup>2</sup>

Order code	Description
68569	Bronze Yoke for FLBS-FLBM
68570	Bronze Yoke for FLBL-FLBX
68571	Bronze Slipfitter
68572	Bronze square/round Pole arm
68573	Bronze Trunnion
68574	Bronze Wall/Pole mount adapter <sup>3</sup>
68717	Bronze Slipfitter and Wall mount adapter



<sup>1</sup> Lumen values are based on 4 000 K default settings. Please refer to the Spec Sheet for more details on other color temperatures.

<sup>2</sup> Black and White accessories are available. Please refer to the Spec Sheet.

<sup>3</sup> Wall mount adapter used conjunctively with Slipfitter.

<sup>4</sup> Only some configurations of FLB Series.

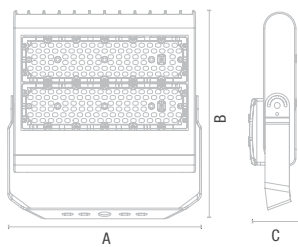
Lumen values are derived from photometric testing.

For a complete list of DLC qualified products, please visit [www.standardpro.com](http://www.standardpro.com).

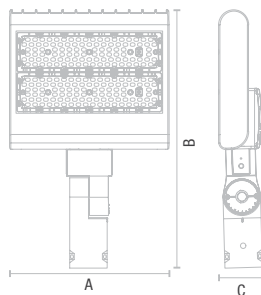
# Flood and Area Lights

This modern design is a family of highly efficient and powerful LED flood lights and area lights available in five different lumen packages. Typical applications include general lighting of grounds, storage yards, car dealerships,

parking areas as well as flood lighting of signs and building fronts. This series is a great addition to any commercial or industrial lighting application.



YOKE Dimensions	100 - 150 W	230 W	300 W	400 W
A	13 7/16" (341 mm)	13 3/8" (340 mm)	13 9/16" (344 mm)	16 15/16" (430 mm)
B	14 3/16" (360 mm)	17 1/8" (435 mm)	23 9/16" (599 mm)	27 5/8" (702 mm)
C	3 7/16" (88 mm)	3 7/16" (88 mm)	2 3/4" (70 mm)	3 1/4" (82 mm)



SLIPFITTER Dimensions	100 - 150 W	230 W	300 W	400 W
A	12 5/8" (320 mm)	12 5/8" (320 mm)	12 5/8" (320 mm)	16 15/16" (430 mm)
B	20 3/8" (518 mm)	23 9/16" (598 mm)	27 7/8" (708 mm)	31 7/16" (798 mm)
C	3 7/16" (87 mm)	3 7/16" (87 mm)	3 11/16" (93 mm)	3 1/4" (82 mm)

Lumen values are derived from photometric testing. For a complete list of DLC qualified products, please visit [www.standardpro.com](http://www.standardpro.com).

Order code	Model number	Watts (W)	Volts (V)	Lumen output (lm)	Efficiency (lm/W)	CRI	NEMA type	Life L70 (hrs)	Finish	Dimming (Yes/No)	EPA	B.U.G	LED current (mA)	Power factor	THD (%)	Traditional equivalent (W) HM SHP	Case qty (master)	
<b>4 000 K - YOKE</b>																		
66879	FL/S3/100-277/100W/40K/YK/BZ/STD	100	120-277	13 494	139	70	7H x 6V	50 000	Bronze	Yes	1.22	3-0-2	1 500	0.90	<20	400	175	1
66887	FL/S3/100-277/150W/40K/YK/BZ/STD	150	120-277	20 680	138	70	7H x 6V	50 000	Bronze	Yes	1.22	4-0-3	1 800	0.90	<20	400	400	1
66920	FL/S3/277-480/150W/40K/YK/BZ/STD	150	347-480	21 618	139	70	7H x 6V	50 000	Bronze	Yes	1.22	4-0-3	880	0.90	<20	400	400	1
66924	FL/S3/100-277/230W/40K/YK/BZ/STD	230	120-277	31 312	138	70	7H x 6V	50 000	Bronze	Yes	1.91	5-0-3	2 500	0.90	<20	400	400	1
66932	FL/S3/100-277/300W/40K/YK/BZ/STD	300	120-277	41 169	135	70	7H x 6V	50 000	Bronze	Yes	2.47	5-0-3	3 500	0.90	<20	1 000	1 000	1
66936	FL/S3/277-480/300W/40K/YK/BZ/STD	300	347-480	41 902	139	70	7H x 6V	50 000	Bronze	Yes	2.47	5-0-3	1 800	0.90	<20	1 000	1 000	1
66940	FL/S3/100-277/400W/40K/YK/BZ/STD	400	120-277	52 340	129	70	7H x 6V	50 000	Bronze	Yes	3.1	5-0-3	5 000	0.90	<20	1 000	1 000	1
66944	FL/S3/277-480/400W/40K/YK/BZ/STD	400	347-480	52 413	130	70	7H x 6V	50 000	Bronze	Yes	3.1	5-0-3	2 800	0.90	<20	1 000	1 000	1
<b>4 000 K - SLIPFITTER</b>																		
66926	ARL/S3/100-277/230W/40K/III/SF/BZ/STD	230	120-277	31 312	138	70	III	50 000	Bronze	Yes	1.91	4-0-5	2 500	0.90	<20	400	400	1
66930	ARL/S3/277-480/230W/40K/III/SF/BZ/STD	230	347-480	32 456	137	70	III	50 000	Bronze	Yes	1.91	4-0-5	1 400	0.90	<20	400	400	1
66942	ARL/S3/100-277/400W/40K/III/SF/BZ/STD	400	120-277	51 343	127	70	III	50 000	Bronze	Yes	3.1	5-0-5	5 000	0.90	<20	1 000	1 000	1
<b>5 000 K - YOKE</b>																		
66884	FL/S3/277-480/100W/50K/YK/BZ/STD	100	347-480	14 279	147	70	7H x 6V	50 000	Bronze	Yes	1.22	3-0-2	219 - 388	0.90	<20	400	175	1
66888	FL/S3/100-277/150W/50K/YK/BZ/STD	150	120-277	20 680	138	70	7H x 6V	50 000	Bronze	Yes	1.22	4-0-3	1 250	0.90	<20	400	400	1
66921	FL/S3/277-480/150W/50K/YK/BZ/STD	150	347-480	21 618	140	70	7H x 6V	50 000	Bronze	Yes	1.22	4-0-3	392 - 557	0.90	<20	400	400	1
66929	FL/S3/277-480/230W/50K/YK/BZ/STD	230	347-480	32 456	138	70	7H x 6V	50 000	Bronze	Yes	1.91	5-0-3	491 - 833	0.90	<20	400	400	1
66933	FL/S3/100-277/300W/50K/YK/BZ/STD	300	120-277	41 924	137	70	7H x 6V	50 000	Bronze	Yes	2.47	5-0-3	2 476	0.90	<20	1 000	1 000	1
66937	FL/S3/277-480/300W/50K/YK/BZ/STD	300	347-480	41 902	139	70	7H x 6V	50 000	Bronze	Yes	2.47	5-0-3	628 - 1117	0.90	<20	1 000	1 000	1
<b>5 000 K - SLIPFITTER</b>																		
66886	ARL/S3/277-480/100W/50K/III/SF/BZ/STD	100	347-480	14 687	151	70	III	50 000	Bronze	Yes	1.22	3-0-3	220 - 389	0.90	<20	250	200	1

## Accessories

Order code	Description	Type	Finish	Compatible with
67055	LFL/L/S2/ACC/SF/SQR POLE MOUNT/STD	Straight arm	Bronze	66881, 66889, 66922, 66926, 66930, 66934, 66938, 66942, 66946
66155	LFL/L/S2/ACC/SF/SQR POLE MOUNT/STD	Slip fitter to square pole mount	Bronze	66881, 66889, 66922, 66926, 66930, 66934, 66938, 66942, 66946
66702	LFL/L/S2/ACC/MA/RND POLE MOUNT/STD	Straight arm to round pole mount 4", 5" & 6"	Bronze	66881, 66889, 66922, 66926, 66930, 66934, 66938, 66942, 66946



**5**  
yrs  
warranty

  
LED  
fixture

  
dimmable  
fixture

**6**  
6  
wet  
location

  
IP  
65

  
UL  
US

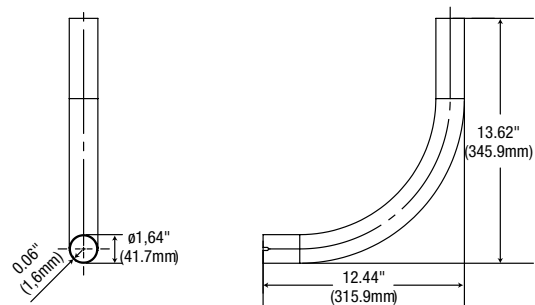
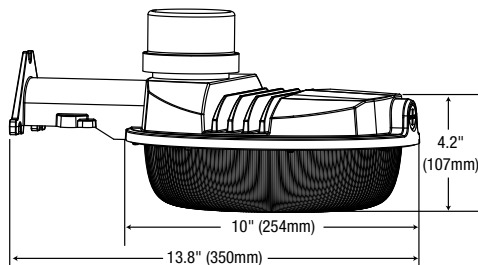


# Yard Light

The YDD-L is an energy efficient dusk to dawn yard light. It was designed for barns and farms. It is a versatile and economic light source that is good on the environment and uses long life LED's. The YDD-L comes standard with a photocontrol which helps to provide significant power savings. It includes an installation bracket for pole and wall mounting and a 21" arm for ease and versatility of installation. All units come standard with 3' of cable to facilitate the connection to the junction box when mounting with the pole arm.



Order code	Description	Watts (W)	Volts (V)	Color temp. (K)	Lumen output (lm)	Efficiency (lm/W)	CRI	Life L70 (hrs)	Power factor	THD (%)	Traditional equivalent (W)	Case qty (master)
68189	YDD-LS2B-W/4KPT	56	120-277	4 000	6 843	123	82.7	>54 000	0.75-0.98	9	130	4
68190	YDD-LS2B-W/5KPT	56	120-277	5 000	7 333	130	84.6	>54 000	0.75-0.98	9	140	4



## Accessory

Part number	Type
PH0009	Shorting cap

Lumen values are derived from photometric testing.



# Lamp post

LED post top luminaire offers a contemporary and elegant look making it a great addition to applications where energy efficiency, performance and design are essential. Typical applications include urban streets, walkways, parks, shopping malls, residential areas, and campuses.



Order code	Model number	DLC unique ID	Watts (W)	Volts (V)	Color temp. (K)	Lumen output (lm)	Efficiency (lm/W)	CRI	Life L70 (hrs)	LED current (mA)	Power factor	THD (%)	EPA (ft²)	Traditional equivalent (W)		Case qty (master)
														MH	HPS	
68175	RDE-LS15-W/40KBKPR	PLQ020PUB9XO	64	120-277	4 000	6 766	105	80	42 000	101	0.99-0.99	10.5-11.9	1.96	175	150	1
68179	RDE-LS35-W/40KBKPR	PLCR5TLCZZVP	150	120-277	4 000	16 000	106	70	42 000	84	0.97-1.0	4.2-6.6	1.96	400	250-400	1
68176	RDE-LS15-W/50KBKPR	PLTD23704VW4	63	120-277	5 000	6 750	107	80	42 000	101	0.99-0.99	10.5-11.9	1.96	175	150	1
68178	RDE-LS25-W/50KBKPR	PLBNTKQV3K5S	80	120-277	5 000	8 950	112	80	54 000	80	0.97-0.99	4-10.3	1.96	250	175	1
68180	RDE-LS35-W/50KBKPR	PLOY2BH5CN5B	150	120-277	5 000	16 200	108	70	54 000	84	0.97-1.0	4.2-6.6	1.96	400	250-400	1



# Bollard

LED outdoor bollards are perfect for lighting pathways and entryways. They will fit seamlessly into the landscape and add a decorative touch to your building. They will also provide adequate lighting for increased safety on your property.

Offered in two diffuser styles: Louver replicates the traditional look and cone allows for a larger lumen output.



Louver Cone

Order code	Description	Watts (W)	Volts (V)	Color temp. (K)	CRI	Life L70 (hrs)	Lumen output (lm)	Finish	Distrib. type	Traditional equivalent (W) MH	Case qty (master)
65530	LBOL8/LOUV/25W/40K/120-277/RND/BRZ/STD	25	120-277	4 000	70	50 000	1 325	Bronze	V	50/70	1
<b>Cone</b>											
65531	LBOL8/CONE/25W/40K/120-277/RND/BRZ/STD	25	120-277	4 000	70	50 000	1 925	Bronze	V	50/70	1



Lumen values are derived from photometric testing. For a complete list of DLC qualified products, please visit [www.standardpro.com](http://www.standardpro.com).

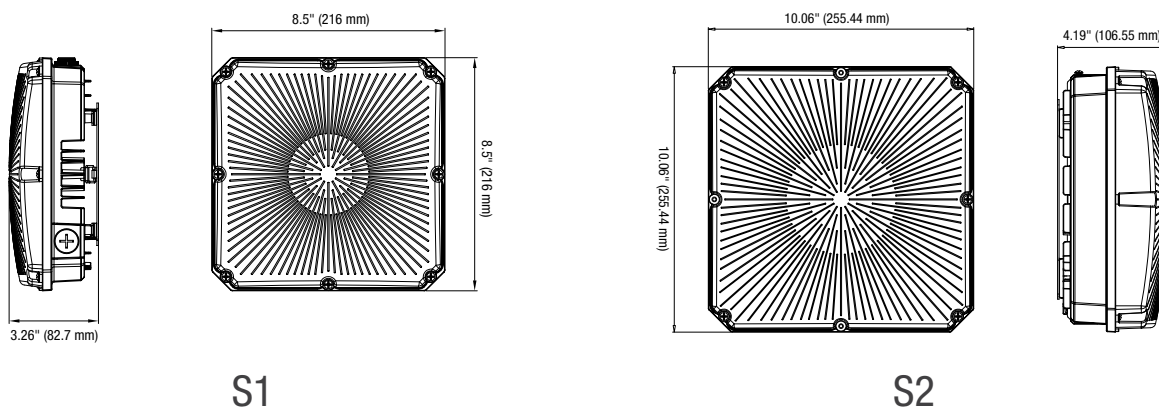
# Under canopy and garage

The IFS-L is an efficient under canopy and garage light. Its rugged construction easily installs on junction boxes and is available in 2 lumen packages. High quality thermal heat

sinks dissipate the LED heat and insure reliable long life. This luminaire is a great addition to any commercial or industrial application.



Order code	Model number	DLC unique ID	Watts (W)	Volts (V)	Color temp. (K)	Lumen output (lm)	Efficiency (lm/W)	CRI	Life L70 (hrs)	LED current (mA)	Power factor	THD (%)	Traditional equivalent (W)	Case qty (master)
68013	IFS-LS1-W/40K-BZ	PLWNQXWX9HGK	40	120-277	4 000	5 129	131	80	>54 000	0.33-0.14	0.90	15	100	6
68014	IFS-LS1-W/50K-BZ	PLZZZHMT40EY	40	120-277	5 000	5 295	135	80	>54 000	0.33-0.14	0.90	15	100	6
68015	IFS-LS1-Q/40K-BZ	PLSLXGKDO2TO	40	120-347	4 000	5 878	141	80 +	>54 000	0.34-0.12	0.95	16	100	6
68016	IFS-LS1-Q/50K-BZ	PLW4I5NT1NN3	40	120-347	5 000	5 965	142	80 +	>54 000	0.34-0.12	0.95	16	100	6
68017	IFS-LS2-Q/40K-BZ	PL96I8K0LPWI	60	120-347	4 000	8 034	135	80 +	>54 000	0.51-0.18	0.96	15	175	4
68018	IFS-LS2-Q/50K-BZ	PLTQPHIFNTRF	60	120-347	5 000	8 147	137	80 +	>54 000	0.51-0.18	0.96	15	175	4



## Accessory

Part number	Type
PH0008	347 V button type photocell

Lumen values are derived from photometric testing. For a complete list of DLC qualified products, please visit [www.standardpro.com](http://www.standardpro.com).



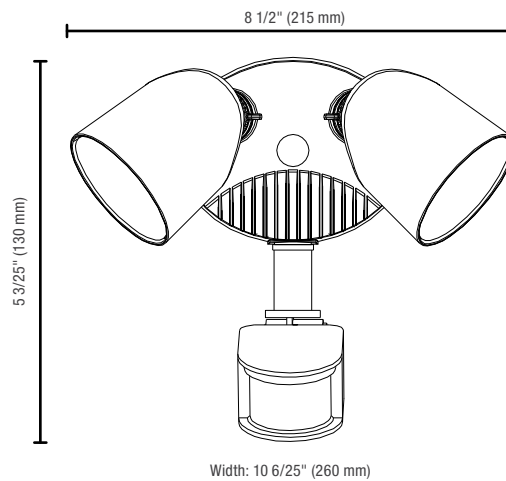
# Security Light

LED security lights are perfect for applications such as yards, walkways, driveways, patios, parking lots and loading areas. They can easily replace traditional luminaires while offering superior performance and savings on energy consumption.

The security lights are equipped with a motion sensor allowing you to set the lights to turn ON when motion is detected during daytime or night time. This ensures that the area is well lit and provides added security at night.



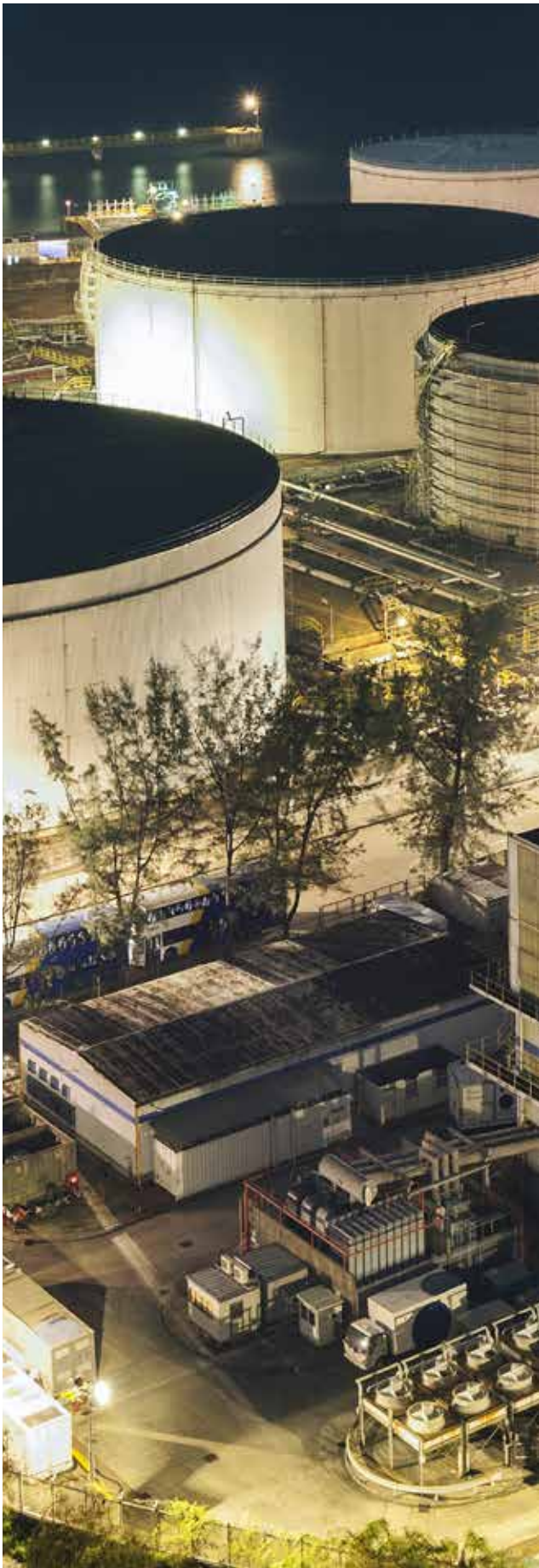
Order code	Model number	Watts	Volts	Color temp.	Lumen output	Efficiency	CRI	Finish	Dimming (Yes/No)	LED current (mA)	Power factor	THD (%)	Traditional equivalent (W)		Case qty (master)
		(W)	(V)	(K)	(lm)	(lm/W)	MH						HPS		
68005	ESL-LS1-A/30K-BR	24 (2 x 12)	120	3 000	2 242	93	80	Bronze	No	220	0.9	≤20	50	70	8
68007	ESL-LS1-A/30K-WH	24 (2 X 12)	120	3 000	2 242	93	80	White	No	220	0.9	≤20	50	70	8
68008	ESL-LS1-A/40K-BR	24 (2 X 12)	120	4 000	2 490	104	80	Bronze	No	220	0.9	≤20	50	70	8
68009	ESL-LS1-A/40K-WH	24 (2 x 12)	120	4 000	2 490	104	80	White	No	220	0.9	≤20	50	70	8



Lumen values are derived from photometric testing.







# Hazardous Location Lighting

Stanpro is expanding capitalizing on its expertise and expanding its indoor and outdoor general lighting offering by introducing new linear fixtures, High Bays, Vapor Tights and Flood lights which are also designed and tested to operate in hazardous applications.

# Flood Luminaire

The CDF-L Hazardous Location LED flood luminaire is designed for installations where moisture, dirt, dust, corrosion and vibration may be present, or in NEMA 3 and 4X locations where wind, water, snow or high ambient can be expected.

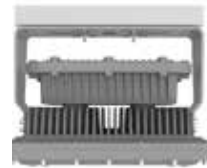
The CDF-L is also NEC/CEC certified to be used in hazardous environments where there is presence of flammable vapours or gases and combustible dusts.



CDF-L  
Pendant mount



Pole mount

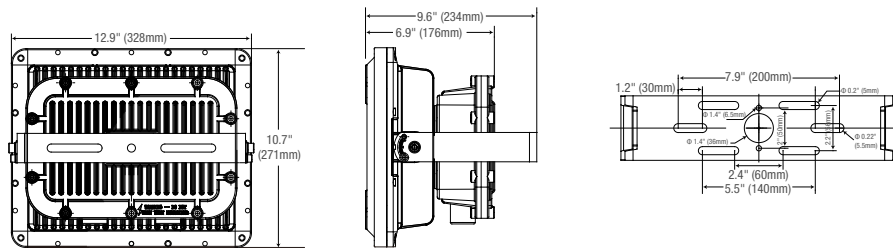


Ceiling mount



Wall mount

Part number	Watts (W)	Volts (V)	Color temp. (K)	Lumen output (lm)	Efficiency (lm/W)	CRI	Life L70 (hrs)	Tested hours LM-80 (hrs)	LED current (mA)	Power factor	THD (%)	BUG	Beam angle (°)	Case qty (master)
<b>CDF-L</b>														
CDF-LS1-W-D/4K120T	80	120-277	4 000	10 059	126	70	>60 000	10 000	525	0.99	17	B4-U0-G1	120	1
CDF-LS2-W-D/4K120T	100	120-277	4 000	12 339	123	70	>60 000	10 000	525	0.99	15	B4-U0-G1	120	1
CDF-LS3-W-D/4K120T	150	120-277	4 000	18 122	121	70	>60 000	10 000	480	1.00	12	B4-U0-G1	120	1
CDF-LS1-W-D/5K120T	80	120-277	5 000	10 400	130	70	>60 000	10 000	525	0.99	17	B4-U0-G1	120	1
CDF-LS2-W-D/5K120T	100	120-277	5 000	13 000	130	70	>60 000	10 000	525	0.99	15	B4-U0-G1	120	1
CDF-LS3-W-D/5K120T	150	120-277	5 000	19 500	130	70	>60 000	10 000	480	1.00	12	B4-U0-G1	120	1
CDF-LS1-H-D/4K120T	80	347-480	4 000	9 979	125	70	>60 000	10 000	525	0.90	10	B4-U0-G1	120	1
CDF-LS2-H-D/4K120T	100	347-480	4 000	11 758	118	70	>60 000	10 000	525	0.94	8	B4-U0-G1	120	1
CDF-LS3-H-D/4K120T	150	347-480	4 000	17 718	118	70	>60 000	10 000	480	0.93	11	B4-U0-G1	120	1
CDF-LS1-H-D/5K120T	80	347-480	5 000	10 400	130	70	>60 000	10 000	525	0.90	10	B4-U0-G1	120	1
CDF-LS2-H-D/5K120T	100	347-480	5 000	13 000	130	70	>60 000	10 000	525	0.94	8	B4-U0-G1	120	1
CDF-LS3-H-D/5K120T	150	347-480	5 000	19 500	130	70	>60 000	10 000	480	0.93	11	B4-U0-G1	120	1



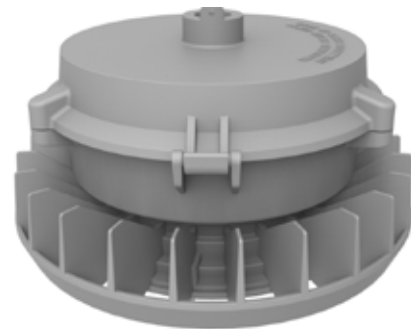
## Accessories

Part number	Type
BKT763	Pole type stanchion NPT 2-3/8"
WGD068	Stainless steel wireguard
HAR1042	Stainless steel safety cable kit
BKT761-FL	U bracket



# High Bay

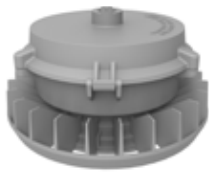
The CDA-L Hazardous Location LED high bay is designed for installations where moisture dirt dust corrosion and vibration may be present or in NEMA 3 and 4X locations where wind water snow or high ambient temperatures can be expected. The CDA-L is also NEC/CEC certified to be used in hazardous environments where there is presence of flammable vapours or gases or combustible dusts.



CDA-L

## ACCESSORIES REQUIRED FOR OPTIONAL MOUNTING

PENDANT (standard)  
MOUNTING ADAPTER "P"



CEILING/WALL MOUNT  
BKT761-HB



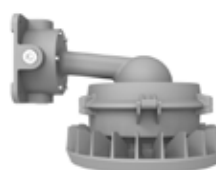
CEILING/WALL STANCHION  
(optional adapter)  
MOUNTING ADAPTER "J"



CEILING MOUNT  
JB018



WALL MOUNT  
BKT771-25 or  
BKT771-90



POLE MOUNT  
BKT773-P166 or  
BKT773-P1900

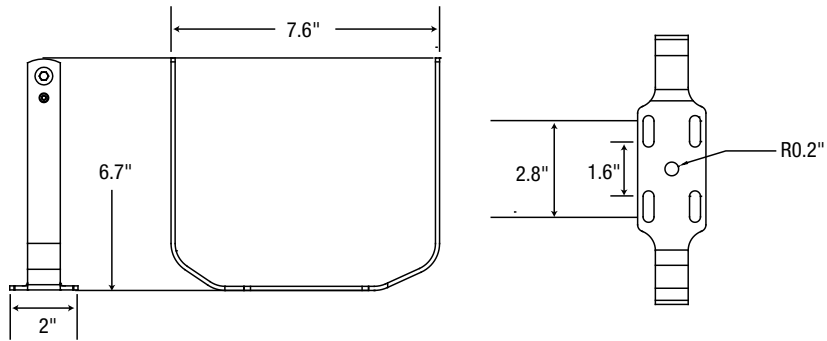


POLE MOUNT  
BKT772-P166 or  
BKT772-P1900

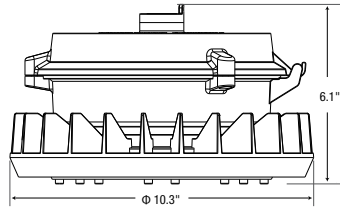


Part number	Watts (W)	Volts (V)	Color temp. (K)	Lumen output (lm)	Efficiency (lm/W)	CRI	Life L70 (hrs)	Tested hours LM-80 (hrs)	LED current (mA)	Power factor	THD (%)	B.U.G. rating	Beam angle (°)	Case qty (master)
<b>Pendant mount</b>														
CDA-LS1-W-C/40K-TP	45	120-277	4 000	6 750	140	70	54 000	9 000	42	1.00	13	B4-U0-G1	110	1
CDA-LS2-W-C/40K-TP	65	120-277	4 000	9 750	144	70	54 000	9 000	43	0.99	11	B4-U0-G1	110	1
CDA-LS1-W-C/50K-TP	45	120-277	5 000	6 750	150	70	54 000	9 000	42	1.00	13	B4-U0-G1	110	1
CDA-LS2-W-C/50K-TP	65	120-277	5 000	9 750	150	70	54 000	9 000	43	0.99	11	B4-U0-G1	110	1
CDA-LS1-H-C/40K-TP	45	347-480	4 000	6 750	157	70	54 000	9 000	37	0.97	13	B4-U0-G1	110	1
CDA-LS2-H-C/40K-TP	65	347-480	4 000	9 750	169	70	54 000	9 000	41	0.98	11	B4-U0-G1	110	1
CDA-LS1-H-C/50K-TP	45	347-480	5 000	6 750	156	70	54 000	9 000	37	0.97	13	B4-U0-G1	110	1
CDA-LS2-H-C/50K-TP	65	347-480	5 000	9 750	171	70	54 000	9 000	41	0.98	11	B4-U0-G1	110	1
<b>Ceiling / Wall stanchion</b>														
CDA-LS1-W-C/40K-TJ	45	120-277	4 000	6 856	140	70	54 000	9 000	42	1.00	13	B4-U0-G1	110	1
CDA-LS2-W-C/40K-TJ	65	120-277	4 000	10 654	144	70	54 000	9 000	43	0.99	11	B4-U0-G1	110	1
CDA-LS1-W-C/50K-TJ	45	120-277	5 000	6 750	150	70	54 000	9 000	42	1.00	13	B4-U0-G1	110	1
CDA-LS2-W-C/50K-TJ	65	120-277	5 000	9 750	150	70	54 000	9 000	43	0.99	11	B4-U0-G1	110	1
CDA-LS1-H-C/40K-TJ	45	347-480	4 000	6 856	157	70	54 000	9 000	37	0.97	13	B4-U0-G1	110	1
CDA-LS2-H-C/40K-TJ	45	347-480	4 000	10 654	169	70	54 000	9 000	41	0.98	11	B4-U0-G1	110	1
CDA-LS1-H-C/50K-TJ	45	347-480	5 000	6 750	156	70	54 000	9 000	37	0.97	13	B4-U0-G1	110	1
CDA-LS2-H-C/50K-TJ	65	347-480	5 000	9 750	171	70	54 000	9 000	41	0.98	11	B4-U0-G1	110	1

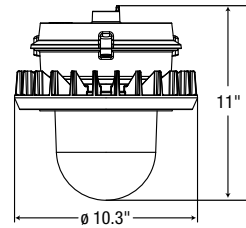
Lumen values are derived from photometric testing.



WITH FLAT LENS GLASS



WITH DROP LENS



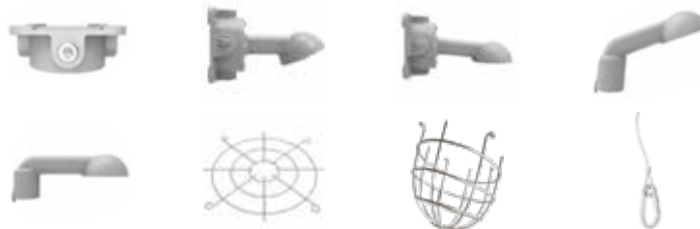
## Accessories to be used with “P” mounting adapter

Part number	Type
BKT761-HB	U-Bracket (SUS 304)
WGD070	Stainless steel wire guard
WGD071	Stainless steel wire guard for drop lens
HAR1056	Stainless steel safety cable kit



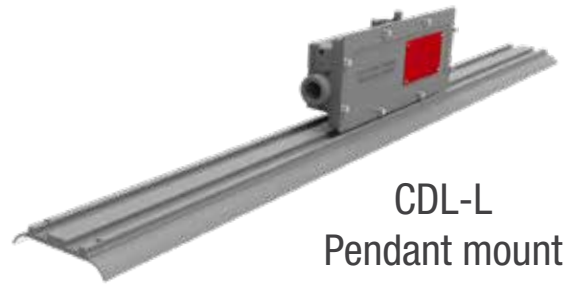
## Accessories to be used with “J” mounting adapter

Part number	Type
JB018	Junction box NPT 3/4"
BKT771-25	Wall mount-25°
BKT771-90	Wall mount-90°
BKT772-P166	Stanchion-25° (NPT 1.25")
BKT772-P1900	Stanchion-25° (NPT 1.50")
BKT773-P166	Stanchion-90° (NPT 1.25")
BKT773-P1900	Stanchion-90° (NPT 1.50")
WGD070	Stainless steel wire guard
WGD071	Stainless steel wire guard for drop lens
HAR1056	Stainless steel safety cable kit



# Linear Luminaire

The CDL-L Hazardous Location LED linear luminaire is designed for installations where moisture, dirt, dust, corrosion and vibration may be present. The CDL-L is also NEC/CEC certified to be used in hazardous environments where there is presence of flammable vapors or gases.



CDL-L  
Pendant mount



Ceiling mount

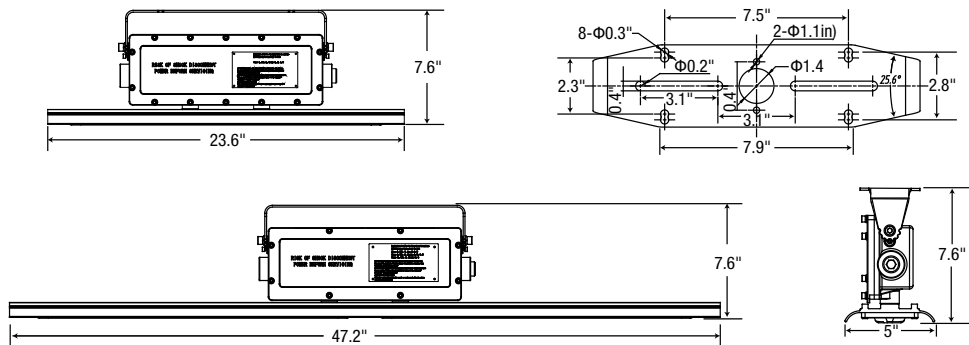


Wall mount



Pole mount

Part number	Watts (W)	Volts (V)	Color temp. (K)	Lumen output (lm)	Efficiency (lm/W)	CRI	Life L70 (hrs)	Tested hours LM-80 (hrs)	LED current (mA)	Power factor	THD (%)	B.U.G. rating	Beam angle (°)	Case qty (master)	
<b>CDL-L</b>															
CDL-LS1-W-C/40K-T	40	120-277	4 000	6 041	151	70	>54 000	9 000	84	1.00	16	B4-U0-G1	110	1	
CDL-LS2-W-C/40K-T	80	120-277	4 000	12 231	153	70	>54 000	9 000	84	0.99	9	B4-U0-G1	110	1	
CDL-LS1-W-C/50K-T	40	120-277	5 000	5 480	135	70	>54 000	9 000	84	1.00	16	B4-U0-G1	110	1	
CDL-LS2-W-C/50K-T	80	120-277	5 000	10 960	137	70	>54 000	9 000	84	0.99	9	B4-U0-G1	110	1	
CDL-LS1-H-C/40K-T	40	347-480	4 000	5 984	150	70	>54 000	9 000	84	0.89	16	B4-U0-G1	110	1	
CDL-LS2-H-C/40K-T	80	347-480	4 000	11 761	147	70	>54 000	9 000	84	0.89	9	B4-U0-G1	110	1	
CDL-LS1-H-C/50K-T	40	347-480	5 000	5 480	132	70	>54 000	9 000	84	0.89	16	B4-U0-G1	110	1	
CDL-LS2-H-C/50K-T	80	347-480	5 000	10 960	137	70	>54 000	9 000	84	0.89	9	B4-U0-G1	110	1	



## Accessories

Part number	Type
HAR1055	Stainless steel safety cable kit
BKT775	Stanchion mount pipe clamp (Include 2 pipes per box)
BKT761-LN	U-bracket



Lumen values are derived from photometric testing.



# Temporary Work Light

Stanpro's Work Lights are ideal for projects where portable and temporary lighting is required, especially to provide a safe working environment when handling repairs, general maintenance or new construction. Find the perfect solution to illuminate your work area, whether it's for a wide area or to perform a specific task in a precise location. Stanpro's temporary lighting products are made of robust material that are perfect for a rugged construction site where traditional lighting products would break easily.



# Temporary LED High Bay (Gen. 2)

Our Temporary LED High Bay work lights are the ideal substitute for traditional HID lamps and luminaires. Designed for tough environments, they provide 360° illumination and will ensure that the work area is safe and properly illuminated. Their high efficacy will help reduce the number of luminaires needed. Additionally, the daisy chain feature enables the use of one outlet to power multiple luminaires.



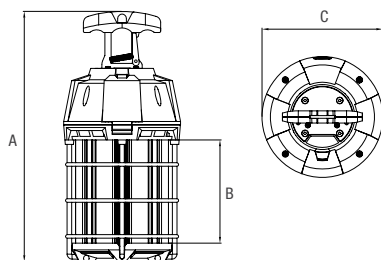
Eyebolt Included for an Alternative Mounting Option



100 W

150 W

Order code	Model number	Watts (W)	Volts (VAC)	Color temp. (K)	Lumen output (lm)	Efficiency (lm/W)	CRI	Life L70 (hrs)	Beam angle (°)	Power cord length (ft)	Operating position	Case qty (master)
68700	THB-DSC-100W-CW	100	120	Cool White	11 530	115	80+	54 000	360	20	Universal	4
68701	THB-DSC-150W-CW	150	120	Cool White	17 380	116	80+	54 000	360	20	Universal	4



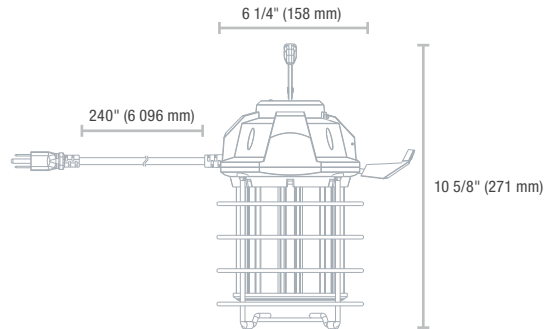
Dimensions	100 W (68700)	150 W (68701)
A	11" (278.3 mm)	12 1/8" (308.3 mm)
B	4 1/2" (114.8 mm)	5 7/8" (149.4 mm)
C	5 1/8" (130 mm)	5 1/8" (130 mm)



# Temporary LED High Bay (Gen. 1)



Order code	Model number	Watts (W)	Volts (V)	Color temp.	Wire	CRI	Lumen output (lm)	Beam angle (°)	Life L70 (hrs)	Operating position	Case qty (master)
67902	THB/DSC/60W/CW/ND/OR/STD	60	120	Cool White	18 AWG / 3C	80	6 300	360	54 000	Universal	4



## Accessory

Order code	Model number	Type
67947	THB/REMOTECONTROL/STD	Replacement Wireless Remote Control



A wireless remote control is also provided with every temporary LED high bay. Control all your luminaires from only one remote control!

**5**  
yrs  
warranty

LED  
fixture

IK10

IP  
54

cULus



# Battery Powered Portable Flood Light

Portable Flood Lights are easy to carry from one location to another as they are battery powered and highly versatile. They offer pre-set intensities to disperse the right amount of light for each task and to ensure more

efficient battery consumption. Their cordless feature keeps the ground free of cables, which creates a safer work environment. This product can be used on jobsites where electricity has yet to be installed.



10 W Mini Flood



20 W Flood



50 W Flood

Order code	Model number	Watts (W)	Volts (V)	Color Temp.	CRI	Light output (lm)	Beam angle (°)	Lithium-ion Battery		Battery working time (hrs)		Battery charging time (hrs)	Case Qty (master)
								(V)	(Ah)	100% Brightness	Energy saving mode		

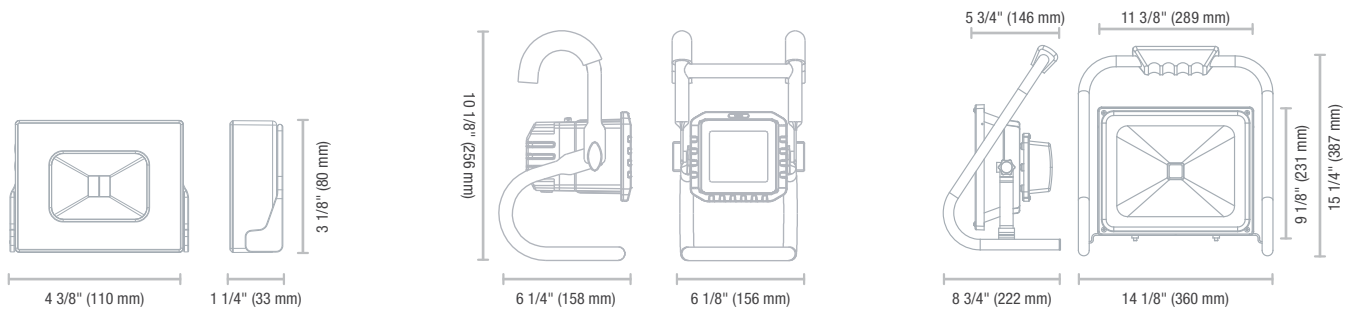
## LED Mini Battery Powered Flood Light

67023	MFL/BTRY/MGN/100-240/10W/CW/BL/STD	10	100-240	Cool White	70	450	120	3.7	2.0	2	4	3	50
-------	------------------------------------	----	---------	------------	----	-----	-----	-----	-----	---	---	---	----

Order code	Model number	Watts (W)	Volts (V)	Color Temp.	CRI	Light output (lm)	Beam angle (°)	Lithium-ion Battery		Battery working time (hrs)			Battery charging time (hrs)	Case qty (master)
								(V)	(Ah)	100% Brightness	50% Brightness	20% Brightness		

## LED Battery Powered Flood Light

67021	PFL/BTRY/100-240/20W/CW/YL/STD	20	100-240	Cool White	70	1100	120	7.4	4.4	3	6	12	5	8
67022	PFL/BTRY/100-240/50W/CW/YL/STD	50	100-240	Cool White	70	3250	120	18.5	6.6	3	6	12	6	2



10 W

20 W

50 W

Lumen values are derived from photometric testing  
<sup>1</sup> LED Mini Flood Light only.

**1** yr warranty<sup>1</sup>   
 **3** yrs warranty   
 dry location   
 battery powered

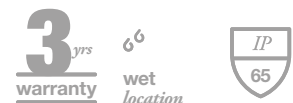
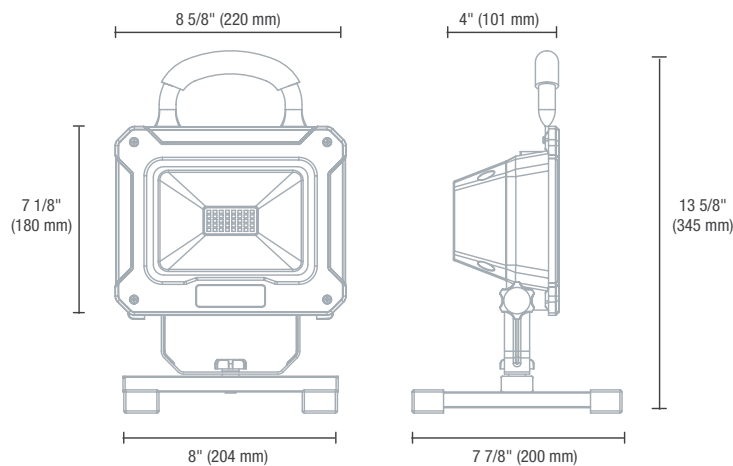
# AC Portable Flood Light

Stanpro's AC Flood Lights of 30 W and 50 W are the perfect combination of durability and efficiency. Offering a high light output and designed for wet locations, with an IP rating of 65, these luminaires will suit the most robust construction sites.

Magnetic feet are also available as accessories, allowing the AC Flood Lights to stick to any metallic surface. In addition, up-to two Flood Lights can be installed on the tripod.



Order code	Model number	Watts (W)	Volts (V)	Color temp.	Wire	CRI	Light output (lm)	Beam angle (°)	Life L70 (h)	Case qty (master)
67336	PFL/AC/30W/CW/ND/YL/STD	30	120	Cool White	18 AWG	70	3 200	120	25 000	8
67337	PFL/AC/50W/CW/ND/YL/STD	50	120	Cool White	18 AWG	70	5 100	120	25 000	8





# Accessories

Order code	Model number	Type	Compatible with	Qty per pack (units)	Case qty (master)
67338	PFL/AC/MAGNETICFEET/STD	Magnetic feet	67336, 67337	4	100



Order code	Model number	Watts (W)	Lithium-ion battery			Battery Working Time (hrs)			Battery charging time (hrs)	Compatible with	Case qty (master)
			(V)	(Ah)	100% Brightness	50% Brightness	20% Brightness				

## Replacement Battery

67024 <sup>1</sup>	PFL/REPLBTRY/7.4V/20W/YL/STD	20	7.4	4.4	3	6	12	5	67021	8
--------------------	------------------------------	----	-----	-----	---	---	----	---	-------	---



Order code	Model number	Volts (V)	Compatible with	Case qty (master)
------------	--------------	-----------	-----------------	-------------------

## Replacement AC/DC Charger

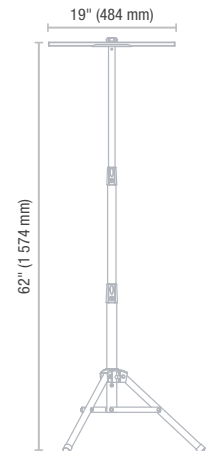
67026	PFL/CHARGER/20W/STD	100-240	67021	25
67027	PFL/CHARGER/50W/STD	100-240	67022	25



Order code	Model number	Maximum Height		Compatible with	Case qty (master)
		in	m		

## Tripod

67025	PFL/TRIPOD/YL/STD	62	1.56	26.7	0.66	67021 (3 units), 67022 (2 units), 67336 (2 units), 67337 (2 units)	1
-------	-------------------	----	------	------	------	--	---



<sup>1</sup>Only the 20 W Flood Light (67021) has a battery that can be removed and replaced. The 50 W Flood Light (67022) has an integrated battery.





Printed in Canada.

© 2021 STANDARD Products Inc. All Rights Reserved.

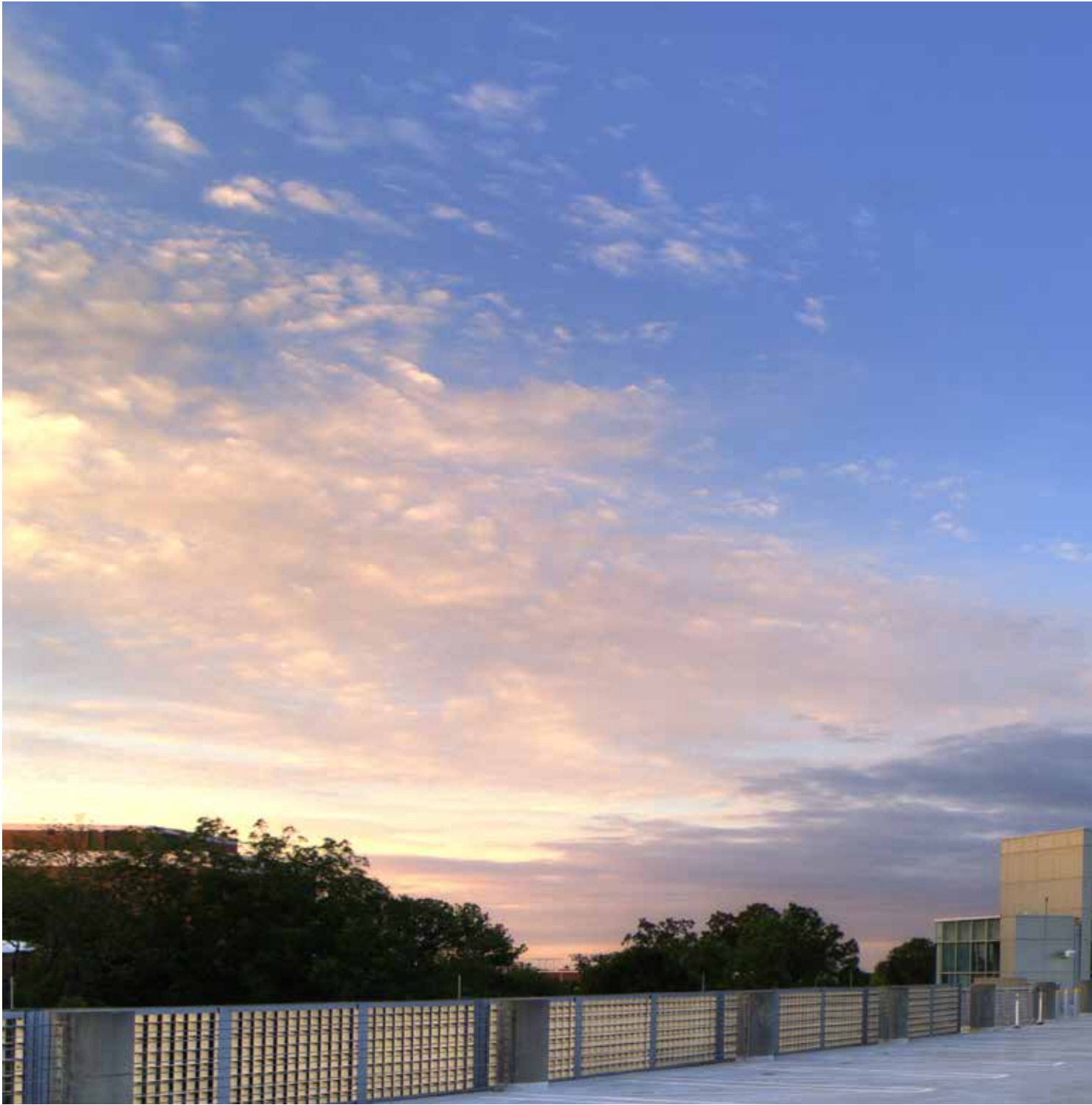
Data is based upon tests performed in a controlled environment.  
Actual performance can vary depending on operating conditions.  
All products are subject to change or may be discontinued any time without notice.

For the latest version, please refer to our website.

[www.standardpro.com](http://www.standardpro.com)



**STANPRO**



[standardpro.com](https://standardpro.com)

**STANPRO**