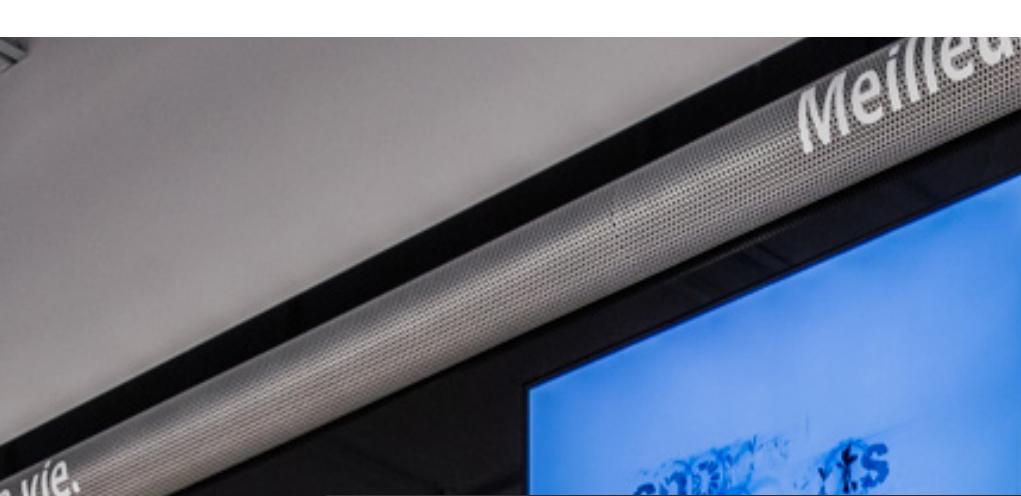


TRACK SYSTEMS



STANPRO





Projectors are used for accent lighting in just about any setting. Its purpose is to make a particular element, such as an architectural detail, a work of art or a showcased product stand out from everything around it.

The versatility of being able to remove, relocate and redirect these luminaires, allow for the flexibility to adjust your lighting needs as required.



TL & TLL SERIES

LED TRACK HEADS

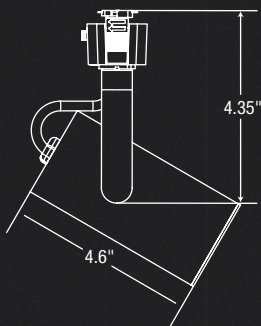
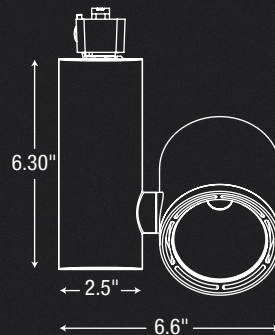
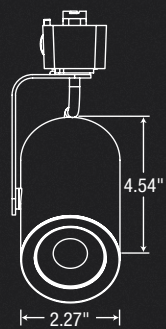






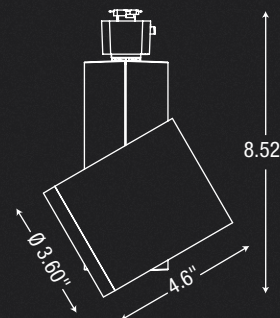
TL22

TL94



9 W
(920 lm - 1 008 lm)
Spot 16°, Narrow Flood 20°, Flood 35°

13 W
(1 343 lm - 1 544 lm)
Spot 20°, Narrow Flood 23°, Flood 36°



20 W
(1 961 lm - 2 160 lm)
Spot 20°, Narrow Flood 30°, Flood 38°

30 W
(2 868 lm - 3 683 lm)
Spot 21°, Narrow Flood 31°, Flood 38°

FOR ALL TL

FIXTURE COLORS

-  Black
-  White

COLOR TEMPERATURES

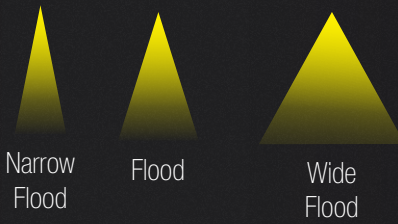
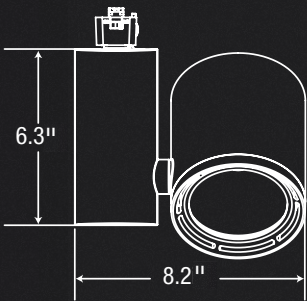
-  3 000 K
-  3 500 K
-  4 000 K

FEATURES

- Die cast aluminum housing with integrated heat sink and driver
- Voltage: 120 V
- 80+ and 90+ CRI
- Compatible with "J" track ("L" track adaptor and "H" track adaptor upon request)
- Luminous efficacy: over 100 lm/W for all wattages and color temperatures

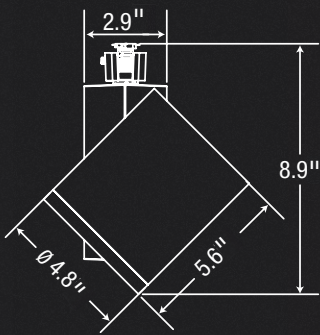


TL96

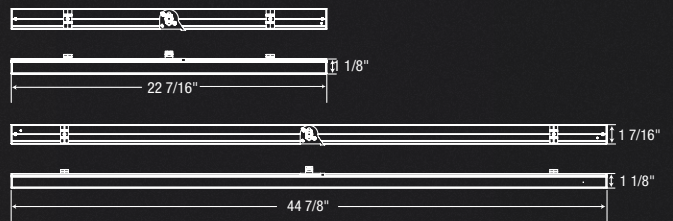


42 W

(4 507 lm - 4 567 lm)
Narrow Flood 22°, Flood 44°, Wide Flood 58°



TLL



18 W

(1 612 lm - 1 702 lm)
Diffused Beam 110°

36 W

(3 246 lm - 3 440 lm)
Diffused Beam 110°

FOR ALL TLL

FIXTURE COLORS



COLOR TEMPERATURES



FEATURES

- Aluminum housing with integrated driver
- Voltage: 120 V
- 80+ CRI
- Compatible with "J" track

5^{yrs}
warranty



LED
fixture



ICES
005

Ideal for accent and display lighting applications, the TL22 series features die cast aluminum construction with integrated heat sink in a sleek design. Available in multiple color temperature options and beam distributions, these luminaires are perfect for those applications where simplicity and high performance are required.

TL22 SERIES



TL22

LED TRACK HEAD

Not all products are qualified on the DLC QPL.
To view our DLC qualified products, please consult the
DLC Qualified Products List at www.designlights.org/search



Housing

Die cast aluminum housing with integrated heat sink.

Heavy duty scratch resistant powder coated.

Optics/Lens

Standard lens that allows for desired beam angles. Lens constructed with plastic material.

Beams

9 W: Spot 16°, Narrow Flood 20°, Flood 35°
13 W: Spot 20°, Narrow Flood 23°, Flood 36°

LED

Color consistency (SDCM) is 3 step MacAdam ellipse.

Lumens & Efficacy

9 W: 863 lm - 972 lm
13 W: 1 320 lm - 1 499 lm
9 W: 3 000 K, 863 lm - 93 lm/W
13 W: 3 000 K, 1 371 lm - 100 lm/W

Driver

9 W and 13 W, 120 V Line voltage LE + TE Dimmable.

Adapter

Track heads with "J" adapter are classified to be used with Stanpro STJ track series, Juno T or TU track series. Easily switch the track head to two-circuit by pulling up contact. See instruction sheet for details. Track heads

with "H" adapter are classified to be used Cooper Lighting L641/2/3 track series. Track heads with "L" adapter are classified to be used with Lightolier Fast Track/Basic track series.

ORDERING GUIDE

Series	Lumen package (lm)	Color temp. (K)	CRI	Beam distribution ¹	Volts (V)	Adaptor	Fixture color ²
TL22	09 - 863-972 14 - 1 320-1 499	30 - 3 000 35 - 3 500 40 - 4 000	80 - 80+ 90 - 90+	S - Spot N - Narrow flood F - Flood	A - 120	J - J & J2 track (standard) H - H & H2 Track ¹ L - L & L2 Track ¹	BK - Black WH - White

¹ Refer to Beam distribution chart for more details.

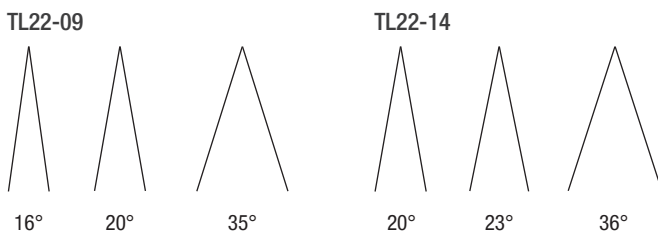
² For other options and availabilities please contact factory.

TECHNICAL SPECIFICATION TABLE

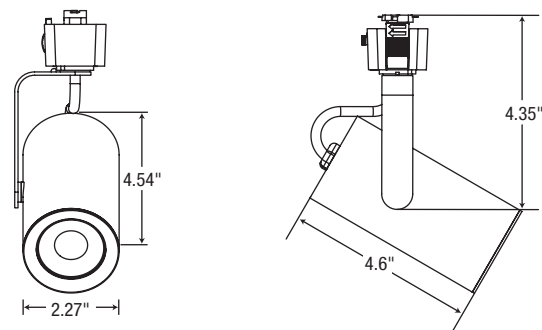
Lumen package	Watts (W)	3 000 K		3 500 K		4 000 K	
		Lumen (lm)	Efficiency (lm/W)	Lumen (lm)	Efficiency (lm/W)	Lumen (lm)	Efficiency (lm/W)
09	9 W	863 lm	93 lm	888 lm	97 lm	944 lm	102 lm
14	13 W	1 371 lm	100 lm	1 411 lm	105 lm	1 499 lm	113 lm

Note: All lumen information is based on Narrow flood beam reflector and 80+ CRI.

BEAM DISTRIBUTION CHART



DIMENSIONS



COMPATIBLE DIMMERS

Brand	Leading edge model number	
Lutron	SLV-600X S2-LX GL-600H	NFTU-5A DVLV-600P
Leviton	6602-X 6681-X 6683-X 6684-X 700-X	705-X 6633 6674 IPI06-1LZ
Cooper	9530XXX	

Brand	Trailing edge model number	
Lutron	NTELV-600-XX SELV-303P MAELV-600-XX	DVELV-300P-XX SEIV-300P-XX
Leviton	IPE04-1LZ VZE06-1LX 6615-POT	
Philips	SR400RPC120	

TM21 TABLE • TL22 - (9W)

Time (t) at which to estimate lumen maintenance (hours)	50 000
Lumen maintenance at time (t) (%)	94.88%
Calculated L70 (hours)	693 500
Reported L70 (hours)	60 000

Note: Lumens are based on 30K color temperature.

TM21 TABLE • TL22 - (13W)

Time (t) at which to estimate lumen maintenance (hours)	50 000
Lumen maintenance at time (t) (%)	93.07%
Calculated L70 (hours)	299 700
Reported L70 (hours)	>61 000

Note: Lumens are based on 30K color temperature.

The fixture dimmer compatibility table shown above is for dimming functionality only. The dimmers listed in this chart may not comply to ICES 005 class A or B standards. To confirm ICES 005 compliance please contact the dimmer manufacturer.

5^{yrs}
warranty



LED
fixture



ICES
005

Highly versatile adjustable side-mounted luminaire. Featuring die-cast housing with an integrated heat sink, our TL94 series is ideal for applications that demand outstanding performance at no compromise to energy efficiency.

TL94 SERIES



TL94

LED TRACK HEAD

Not all products are qualified on the DLC QPL.
To view our DLC qualified products, please consult the
DLC Qualified Products List at www.designlights.org/search



• Construction

Housing

Heavy duty die cast aluminum housing and integrated heat sink.

Finishes

Heavy duty scratch resistant powder coated.

Optics/ Reflectors

Reflector made of plastic material.

Beams

20 W: Spot 20°, Narrow Flood 30°, Flood 38°.

30 W: Spot 21°, Narrow Flood 31°, Flood 38°.

LED

Color consistency (SDCM) is 3 step
McAdam ellipse.

Lumens & Efficacy

20 W: 1 961 lm - 2 267 lm

30 W: 2 655 lm - 2 825 lm

20 W: 3 000 K, 2 045 lm - 106 lm/W

30 W: 3 000 K, 2 689 lm - 98 lm/W

Driver

20 W and 30 W, 120 V Line voltage LE + TE Dimmable.

Adapter

Track heads with "J" adapter comes standard for single or two circuit to be used with Stanpro STJ track series, Juno T or TU track series and Prescolite TS or TT track series. Track heads with "H"

adapter are classified to be used with Stanpro STH track series and Cooper Lighting L641/2/3 track series. Track heads with "L" adapter are classified to be used with Lightolier Fast Track/Basic track series.

ORDERING GUIDE

Series	Lumen package	Color temp. (K)	CRI	Beam distribution ¹	Volts (V)	Adaptor	Fixture color ²
TL94	20 - 1 961 - 2 267 30 - 2 655 - 2 825	30 - 3 000 35 - 3 500 40 - 4 000	80 - 80+ 90 - 90+	S - Spot N - Narrow flood F - Flood	A - 120	J - J & J2 track (standard) H - H & H2 Track ¹ L - L & L2 Track ¹	BK - Black WH - White

¹ Refer to Beam distribution chart for more details.

² For other options and availabilities please contact factory.

LUMEN CHART TABLE

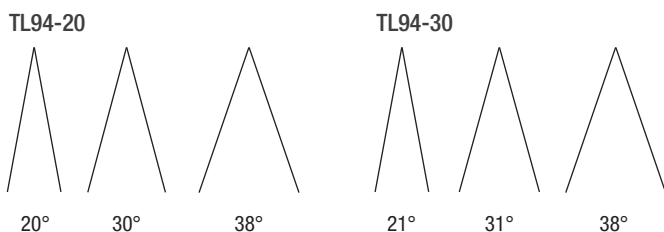
Lumen package	Watts (W)	3 000 K		3 500 K		4 000 K	
		Lumen (lm)	Efficiency (lm/W)	Lumen (lm)	Efficiency (lm/W)	Lumen (lm)	Efficiency (lm/W)
20	20 W	2 045 lm	106 lm/W	2 113 lm	110 lm/W	2 267 lm	117 lm/W
30	30 W	2 689 lm	98 lm/W	2 732 lm	96 lm/W	2 784 lm	109 lm/W

Note: All lumen information is based on Narrow flood beam reflector and 80+ CRI.

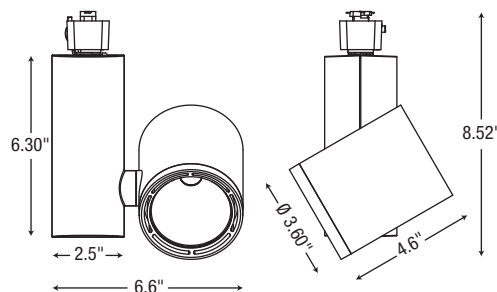
ACCESSORIES (order separately)

Part number	Type
BD-9204-BK	Barn Door
BD-9204-WH	Barn Door

BEAM DISTRIBUTION CHART



DIMENSIONS



COMPATIBLE DIMMERS

Brand	Leading edge model number	
Lutron	DV-600P	CTCL-153P
	DVLV-600P	GL-600H
	SELV-300P	S-600P
	NFTU-5A	SR150LED
	Philips	SR150LED

Brand	Trailing edge model number
Lutron	DVELV-303P
	NTELV-600
	MAELV-600

The fixture dimmer compatibility table shown beside is for dimming functionality only. The dimmers listed in this chart may not comply to ICES 005 class A or B standards. To confirm ICES 005 compliance please contact the dimmer manufacturer.

TM21 TABLE • TL94 - (20W)

Time (t) at which to estimate lumen maintenance (hours)	10 080
Lumen maintenance at time (t) (%)	71.17%
Calculated L70 (hours)	133 000
Reported L70 (hours)	>60 500

Note: Lumens are based on 30K color temperature.

TM21 TABLE • TL94 - (30W)

Time (t) at which to estimate lumen maintenance (hours)	11 088
Lumen maintenance at time (t) (%)	71.17%
Calculated L70 (hours)	182 000
Reported L70 (hours)	>61 000

Note: Lumens are based on 30K color temperature.



5^{yrs}
warranty



LED
fixture



ICES
005

Clean lines and aesthetic design fit easily into all applications and become part of the design concept. TL96 series offers excellent beam control while providing high performance accent lighting for retail and commercial applications.

TL96 SERIES

TL96

LED TRACK HEAD

Not all products are qualified on the DLC QPL.
To view our DLC qualified products, please consult the
DLC Qualified Products List at www.designlights.org/search



Housing

Heavy duty die cast aluminum housing and integrated heat sink.

Finishes

Heavy duty scratch resistant powder coated.

Optics/ Reflectors

Reflector made of plastic material.

Beams

Narrow Flood 22°, Flood 44°, Wide Flood 58°

Lumens

3 800 lm - 4 042 lm
41 W: 3 000 K, 92.3 lm/W

Driver

41 W, 120V Line voltage LE + TE Dimmable.

Adapter

Track heads with "J" adapter comes standard for single or two circuit to be used with Stanpro STJ track series, Juno T or

TU track series and Prescolite TS or TT track series. Track heads with "H" adapter are classified to be used with Stanpro STH track series and Cooper Lighting L641/2/3 track series. Track heads with "L" adapter are classified to be used with Lightolier Fast Track/Basic track series.

ORDERING GUIDE

Series	Lumen package	Color temp. (K)	CRI	Beam distribution ¹	Volts (V)	Adaptor	Fixture color ²
TL96	40 - 3 800 - 4 042	30 - 3 000 35 - 3 500 40 - 4 000	80 - 80+ 90 - 90+	N - Narrow flood F - Flood W - Wide flood	A - 120	J - J & J2 track (standard) H - H & H2 Track ¹ L - L & L2 Track ¹	BK - Black WH - White

¹ Refer to Beam distribution chart for more details.

² For other options and availabilities please contact factory.

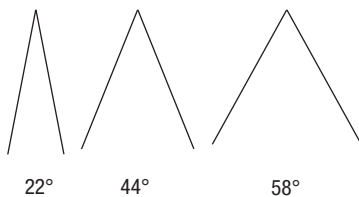
LUMEN CHART TABLE

Lumen package	Watts (W)	3 000 K		3 500 K		4 000 K	
		Lumen (lm)	Efficiency (lm/W)	Lumen (lm)	Efficiency (lm/W)	Lumen (lm)	Efficiency (lm/W)
40	41 W	3 756	92.3	3 808	93.9	3 872	94.6

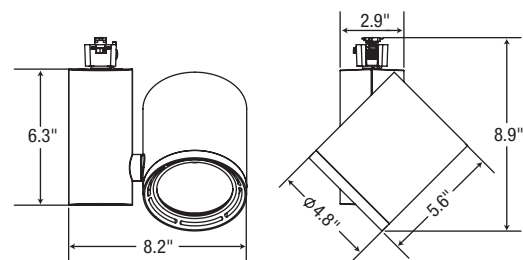
Note: All lumen information is based on Narrow flood beam reflector and 80+ CRI.

BEAM DISTRIBUTION CHART

TL96-40



DIMENSIONS



COMPATIBLE DIMMERS

Brand	Model number	
Lutron	S-603PG	S-600P
	DVELV-303P	SELV-300P
	CT-130P	TG-600P
	DVCL-153P	LG-600P
	DV-600P	MAELV-600
	TGCL-153P	FAELV-500
Leviton	IPI06-1LZ	6161
	6631-2	6633-P
	VPE06	IPE04
	6683-1W	
Lightolier	ZP260QEW	
Cooper	DAL06P	
	DLC03P	
	SLC03P	

TM21 TABLE • TL96

Time (t) at which to estimate lumen maintenance (hours)	50 000
Lumen maintenance at time (t) (%)	95.01%
Calculated L70 (hours)	451 000
Reported L70 (hours)	>33 000

Note: Lumens are based on 30K color temperature.

The fixture dimmer compatibility table shown beside is for dimming functionality only. The dimmers listed in this chart may not comply to ICES 005 class A or B standards. To confirm ICES 005 compliance please contact the dimmer manufacturer.



5^{yrs}
warranty



LED
fixture



ICES
005

The TLL is a newly developed linear LED track mounted luminaire. It provides highly efficient illumination and it comes with J & J2 style track adaptor. The TLL can be used to add general lighting along with regular track heads. Its slim housing allows it to be installed in restricted areas such as coves and also display application. Available in 2 foot and 4 foot, diffused lens comes standard.

TLL SERIES

Housing

Extruded aluminum lightweight LED linear track

Finished

Heavy duty scratch resistant powder coated.
Available in textured white and black.

Optics

COme standard with opal polycarbonate frosted lens.

Lumens

1 612 lm - 3 440 lm 41 W:

Efficacy

18W: 3000K, 89.6 lm/W
36W: 3000K, 90.2 lm/W

Adapter

Track linear with "J" adapter are classified to be used with Stanpro STJ track series, Juno T or TU track series and Prescolite TS or TT track series.

QUICK SHIP ORDERING GUIDE WITH FROSTED LENS DIFFUSED

Part number	Watts (W)	Lumen output (lm) ¹	Volts (VAC)	Color temp. (K) ¹	Efficiency (lm/W)	Lens finish
TLL2-183080DU-AJBK	18	1 612	120	3 000	89.6	
TLL2-183080DU-AJWH	18	1 612	120	3 000	89.6	
TLL2-183580DU-AJBK	18	1 612	120	3 500	89.6	
TLL2-183580DU-AJWH	18	1 612	120	3 500	89.6	
TLL2-184080DU-AJBK	18	1 708	120	4 000	94.9	
TLL2-184080DU-AJWH	18	1 708	120	4 000	94.9	Frosted lens diffused
TLL4-363080DU-AJBK	36	3 246	120	3 000	90.2	
TLL4-363080DU-AJWH	36	3 246	120	3 000	90.2	
TLL4-363580DU-AJBK	36	3 246	120	3 500	90.2	
TLL4-363580DU-AJWH	36	3 246	120	3 500	90.2	
TLL4-364080DU-AJBK	36	3 440	120	4 000	95.6	
TLL4-364080DU-AJWH	36	3 440	120	4 000	95.6	

¹ **QUICK SHIP:** Product availability is subject to change without notice. Please contact your Stanpro customer service representative to confirm inventory levels at time of order.

ORDERING GUIDE

TLL	—	80	CL	—	A	J			
Series	Size	Lumen package (lm)	Color temp. (K)	CRI	Lens finish	Beam distribution ¹	Volts (V)	Adaptor	Fixture color ²
TLL	2 - 2' 4 - 4'	18 - 1 612 - 1 708 36 - 3 246 - 3 440	30 - 3 000 35 - 3 500 40 - 4 000	80 - 80+	CL - Clear	SA - Single Asymmetrical DA - Double Asymmetrical WF - Wide Flood NF - Narrow Flood	A - 120	J - J & J2 track (standard)	BK - Black WH - White

¹ Refer to Beam distribution chart for more details.

² For other options and availabilities please contact factory.

LUMEN CHART

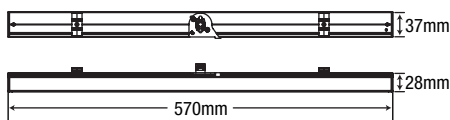
Lumen package	Watts (W)	3 000 K		3 500 K		4 000 K	
		Lumen (lm)	Efficiency (lm/W)	Lumen (lm)	Efficiency (lm/W)	Lumen (lm)	Efficiency (lm/W)
18	18	1 612	89.6	1 612	89.6	1 708	94.9
36	36	3 246	90.2	3 246	90.2	3 440	95.6

TM21 TABLE – TLL (20W and 36W)

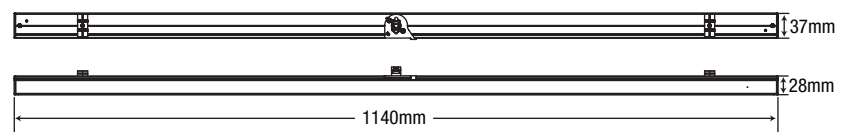
Time (t) at which to estimate lumen maintenance (hours)	50 000
Lumen maintenance at time (t) (%)	83.12%
Calculated L70 (hours)	95 240
Reported L70 (hours)	36 000

DIMENSIONS

2'



4'





5 yrs
warranty



LED
fixture



ICES
005

The Stanpro single or double LED wall washer is made of an extruded aluminum housing which provides durability, clean lines and optimal thermal dissipation. The TWL02S (30W) and TWL02D (50W) come complete with J & J2 style track adaptor. H & H2, L & L2 style adaptors available upon request. Suitable for ceiling-mounted tracks.

TWL02 SERIES

TWL02S/TWL02D

LED WALL WASHER

30 W OR 50 W



Housing

Extruded aluminum lightweight LED linear track

Material

Die-cast aluminum driver housing.

Aiming

Precision aiming adjustment with a pivot that allows for rotations up to 350° vertically in both directions. Each side of the double fixture can be independently adjusted for more flexibility.

LED

Single

30 W LED: 3 000 K (2 580 lm) (4 000 K upon request)

Double

50: 50 W LED : 3 000 K (4 737 lm) (4 000 K upon request)

Estimated lifespan of over 54 000 hours to L70.

Drivers

Integral electronic driver, dimmable with standard dimmers.

Finishes

Heavy duty scratch resistant powder coated. Available in textured white and black (glossy silver upon request).

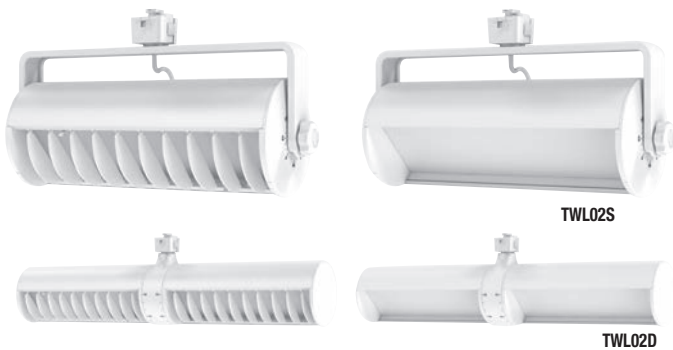
Lens and Louvers

The fixture comes with frosted lens in

polycarbonate. Optional louvers available as accessories.

Adapter

Track heads with "J" adapter are classified to be used with Stanpro STJ track series, Juno T or TU track series and Prescolite TS or TT track series. Track heads with "H" adapter are classified to be used with Stanpro STH track series and Cooper Lighting L641/2/3 track series. Track heads with "L" adapter are classified to be used with Lightolier Fast track/Basic track series.



ORDERING GUIDE

Series	Watt (W)	Color temp. (K) ¹	Volts (V)	Adaptor	Fixture color ²
TWL02S	30 - 30	30 - 3 000	A - 120	J - J & J2 track (standard)	WH - White
TWL02D	50 - 50			H ³ - H & H2 Track L ³ - L & L2 Track	BK - Black

¹ Fixture driven at 700mA.

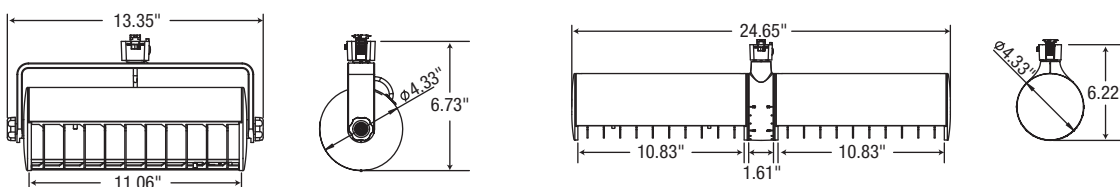
² For other options and availabilities please contact factory.

³ Available on request, please contact factory.

ACCESSORIES (order separately)

Part number	Type
LEN325-WH	Louver
LEN325-BK	Louver

DIMENSIONS



TG & TL SERIES

COMMODITY TRACK HEADS







1^{yr}
warranty


quick
ship

Front loaded economical PAR38 Gimbal style track head. Integral on/off switch and track polarity indicator come standard. The TG05N comes complete with J & J2 style track adaptor. H & H2, L & L2 style adaptors available upon request.

TG05N SERIES

TG05N

PAR38 – FRONT LOAD

250W MAX.

SPECIFICATIONS

Material

Heavy duty housing designed for commercial use.

Aiming

The secure yoke provides precision aiming without the need for tools.

Lamps

Incandescent or LED (**lamp not included**)

Max 250W-E26 medium base PAR38 style lamps.

Finishes

Heavy duty scratch resistant powder coated. Available in glossy white, black and silver.

Accessories

Line voltage extensions (12", 18", 24", 36") are available. Please refer to the "tracks and accessories" pages for ordering guide.

Adaptor

Track heads with "J" adaptor are classified to be used with Stanpro STJ track series, Juno T or TU track series and Prescolite TS or TT track series. Track heads with "H" adaptor are classified to be used with Stanpro STH track series and Cooper Lighting L641/2/3 track series. Track heads with "L" adaptor are classified to be used with Lightolier Fast Track/Basic track series.

ORDERING GUIDE

TG05N	N	0250	A		
Series	Lamp type	Watts (W)	Volts (V)	Adaptor	Fixture color
TG05N	N - Incandescent	250 - 250 max	A - 120	J - J & J2 track (standard) H ² - H & H2 Track L ² - L & L2 Track	BK - Black WH - White SI ² - Silver

¹ **QUICK SHIP:** Not all products are Quick Ship. To view our Quick Ship qualified products, please consult our Quick Ship Product Guide at stanprols.com/quick-ship-product-guide. Product availability is subject to change without notice. Please contact your Stanpro customer service representative to confirm inventory levels at time of order.

² Available on request, please contact factory.

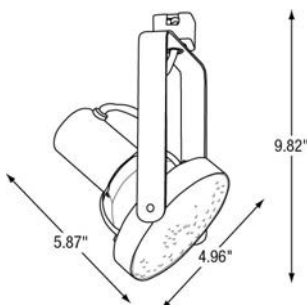
COMPATIBLE LAMPS SUGGESTED *Traditional look with an LED lamp!*

Order code	Description	Watts (W)	Base	Volts (VAC)	Color temp. (K)	CRI	Life L70 (hrs)	Lumen output (lm)	Beam angle (°)	CBCP (cd)	Traditional equivalent (W)	Case qty (inner/master)
PAR38												
67613	P38/15W/30K/45/DESIGN/STD	15	E26	120	3 000	80	25 000	1 200	45	1 150	100	1/10
67614	P38/15W/40K/45/DESIGN/STD	15	E26	120	4 000	80	25 000	1 200	45	1 500	100	1/10
66297	P38/16.5W/27K/25/CHOICE/STD	16.5	E26	120	2 700	≥90	15 000	1 360	25	6 067	100	1/6
66298	P38/16.5W/27K/40/CHOICE/STD	16.5	E26	120	2 700	≥90	15 000	1 398	40	2 527	100	1/6
66299	P38/16.5W/30K/25/CHOICE/STD	16.5	E26	120	3 000	≥90	15 000	1 419	25	6 067	100	1/6
66300	P38/16.5W/30K/40/CHOICE/STD	16.5	E26	120	3 000	≥90	15 000	1 355	40	2 527	100	1/6
66301	P38/16.5W/40K/25/CHOICE/STD	16.5	E26	120	4 000	≥90	15 000	1 548	25	6 067	100	1/6
66302	P38/16.5W/40K/40/CHOICE/STD	16.5	E26	120	4 000	≥90	15 000	1 510	40	2 527	100	1/6
67909*	P38H0/27W/30K/40/120-277/STD	27	E26	120-277	3 000	-	25 000	3 000	40	-	250	1/6
67914*	P38H0/27W/30K/25/120-277/STD	27	E26	120-277	3 000	-	25 000	3 000	25	-	250	1/6

*Coming soon



DIMENSIONS





1^{yr}
warranty


quick
ship

Front loaded economical PAR30 Gimbal style track head. Integral on/off switch and track polarity indicator come standard. The TG07N comes complete with J & J2 style track adaptor. H & H2, L & L2 style adaptors available upon request.

TG07N SERIES

TG07N

PAR30S – FRONT LOAD

75W MAX.

SPECIFICATIONS

Material

Heavy duty housing designed for commercial use.

Aiming

The secure yoke provides precision aiming without the need for tools.

Lamps

Incandescent or LED (**lamp not included**)

Max 75W-E26 medium base PAR30S style lamps.

Finishes

Heavy duty scratch resistant powder coated. Available in glossy white, black and silver.

Accessories

Line voltage extensions (12", 18", 24", 36") are available. Please refer to the "tracks and accessories" pages for ordering guide.

Adaptor

Track heads with "J" adaptor are classified to be used with Stanpro STJ track series, Juno T or TU track series and Prescolite TS or TT track series. Track heads with "H" adaptor are classified to be used with Stanpro STH track series and Cooper Lighting L641/2/3 track series. Track heads with "L" adaptor are classified to be used with Lightolier Fast Track/Basic track series.

ORDERING GUIDE

TG07N	N	0075	A		
Series	Lamp type	Watts (W)	Volts (V)	Adaptor	Fixture color
TG07N	N - Incandescent	0075 - 75 max	A - 120	J - J & J2 track (standard) H ² - H & H2 Track L ² - L & L2 Track	BK - Black WH - White SI ² - Silver

¹ **QUICK SHIP:** Not all products are Quick Ship. To view our Quick Ship qualified products, please consult our Quick Ship Product Guide at stanprols.com/quick-ship-product-guide. Product availability is subject to change without notice. Please contact your Stanpro customer service representative to confirm inventory levels at time of order.

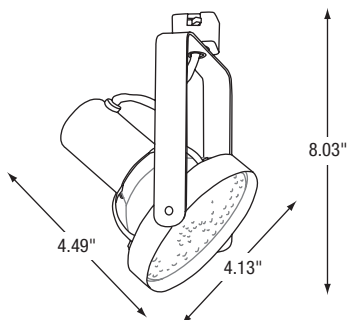
² Available on request, please contact factory.

COMPATIBLE LAMPS SUGGESTED *Traditional look with an LED lamp!*

Order code	Description	Watts (W)	Base	Volts (VAC)	Color temp. (K)	CRI	Life L70 (hrs)	Lumen output (lm)	Beam angle (°)	CBCP (cd)	Traditional equivalent (W)	Case qty (inner/master)
PAR30SN												
67609	P30S/10W/30K/45/DESIGN/STD	10	E26	120	3 000	80	25 000	750	45	810	60	1/20
67610	P30S/10W/40K/45/DESIGN/STD	10	E26	120	4 000	80	25 000	750	45	810	60	1/20
63971	LED/P30S/10W/30K/25/STD/BLK	10	E26	120	3 000	94	40 000	830	25	2 174	75	1/6
66291	P30S/12W/27K/25/CHOICE/STD	12	E26	120	2 700	≥90	15 000	934	25	3 843	75	1/6
66292	P30S/12W/27K/40/CHOICE/STD	12	E26	120	2 700	≥90	15 000	929	40	1 740	75	1/6
66293	P30S/12W/30K/25/CHOICE/STD	12	E26	120	3 000	≥90	15 000	965	25	3 843	75	1/6
66294	P30S/12W/30K/40/CHOICE/STD	12	E26	120	3 000	≥90	15 000	922	40	1 740	75	1/6
66295	P30S/12W/40K/25/CHOICE/STD	12	E26	120	4 000	≥90	15 000	1 006	25	3 843	75	1/6
66296	P30S/12W/40K/40/CHOICE/STD	12	E26	120	4 000	≥90	15 000	977	40	1 740	75	1/6



DIMENSIONS





1^{yr}
warranty


quick
ship

Front loaded economical PAR20 Gimbal style track head. Integral on/off switch and track polarity indicator come standard. The TG08N comes complete with J & J2 style track adaptor. H & H2, L & L2 style adaptors available upon request.

TG08N SERIES

TG08N

PAR20 – FRONT LOAD

50W MAX.

SPECIFICATIONS

Material

Heavy duty housing designed for commercial use.

Aiming

The secure yoke provides precision aiming without the need for tools.

Lamps

Incandescent or LED (**lamp not included**)

Max 50W-E26 medium base PAR20 style lamps.

Finishes

Heavy duty scratch resistant powder coated. Available in glossy white, black and silver .

Accessories

Line voltage extensions (12", 18", 24", 36") are available. Please refer to the "tracks and accessories" pages for ordering guide.

Adaptor

Track heads with "J" adaptor are classified to be used with Stanpro STJ track series, Juno T or TU track series and Prescolite TS or TT track series. Track heads with "H" adaptor are classified to be used with Stanpro STH track series and Cooper Lighting L641/2/3 track series. Track heads with "L" adaptor are classified to be used with Lightolier Fast Track/Basic track series.

ORDERING GUIDE

Series	Lamp type	Watts (W)	Volts (V)	Adaptor	Fixture color
TG08N	N - Incandescent	0050 - 50 max	A - 120	J - J & J2 track (standard) H ² - H & H2 Track L ² - L & L2 Track	BK - Black WH - White SI - Silver

¹ **QUICK SHIP:** Not all products are Quick Ship. To view our Quick Ship qualified products, please consult our Quick Ship Product Guide at stanpro.com/quick-ship-product-guide. Product availability is subject to change without notice. Please contact your Stanpro customer service representative to confirm inventory levels at time of order.

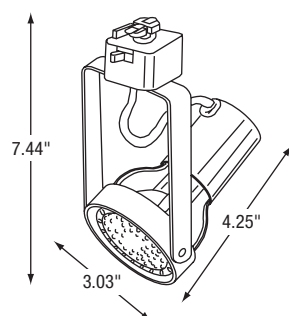
² Available on request, please contact factory.

COMPATIBLE LAMPS SUGGESTED *Traditional look with an LED lamp!*

Order code	Description	Watts (W)	Base	Volts (VAC)	Color temp. (K)	CRI	Life L70 (hrs)	Lumen output (lm)	Beam angle (°)	CBCP (cd)	Traditional equivalent (W)	Case qty (inner/master)
PAR20												
67609	P20/7W/30K/45/DESIGN/STD	7	E26	120	2 700	80	25 000	500	45	520	50	10/60
67608	P20/7W/40K/45/DESIGN/STD	7	E26	120	3 000	80	25 000	500	45	520	50	10/60
63953	LED/P20/7W/30K/25/STD/BLK	7	E26	120	3 000	93	40 000	502	25	1 411	50	1/12
66279	P20/8W/27K/25/CHOICE/STD	8	E26	120	2 700	≥90	15 000	581	25	1 708	50	1/12
66280	P20/8W/27K/40/CHOICE/STD	8	E26	120	2 700	≥90	15 000	572	40	914	50	1/12
66281	P20/8W/30K/25/CHOICE/STD	8	E26	120	3 000	≥90	15 000	608	25	1 708	50	1/12
66282	P20/8W/30K/40/CHOICE/STD	8	E26	120	3 000	≥90	15 000	605	40	914	50	1/12
66283	P20/8W/40K/25/CHOICE/STD	8	E26	120	4 000	≥90	15 000	616	25	1 708	50	1/12
66284	P20/8W/40K/40/CHOICE/STD	8	E26	120	4 000	≥90	15 000	652	40	914	50	1/12



DIMENSIONS



1^{yr}
warranty


quick
ship

The economical adjustable socket style track head allows for the proper seating of various lamps. Integral on/off switch and track polarity indicator come standard. The TL10 comes complete with J & J2 style track adaptor. H & H2, L & L2 style adaptors available upon request.

TL10 SERIES

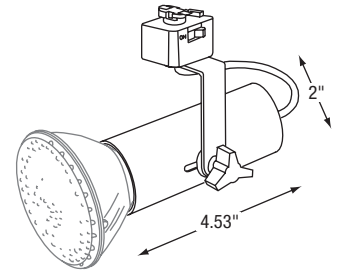


TL10

ADJUSTABLE SOCKET

250W MAX.

DIMENSIONS



SPECIFICATIONS

Material

Heavy duty housing designed for commercial use.

Aiming

The secure yoke provides precision aiming without the need for tools.

Lamps

Incandescent or LED (**lamp not included**)

E26 medium base style lamps:

Max 75W PAR16

Max 50W PAR20

Max 75W PAR30LN

Max 250W PAR38

Finishes

Heavy duty scratch resistant powder coated. Available in glossy white, black and silver.

Adaptor

Track heads with "J" adaptor are classified to be used with Stanpro STJ track series, Juno T or TU track series and Prescolite TS or TT track series.

Track heads with "H" adaptor are classified to be used with Stanpro STH track series and Cooper Lighting L641/2/3 track series. Track heads with "L" adaptor are classified to be used with Lightolier Fast Track/Basic track series.

ORDERING GUIDE

Series	Lamp type	Watts (W)	Volts (V)	Adaptor	Fixture color
TL10	N - Incandescent	0250 - 250 max	A - 120	J - J & J2 track (standard) H ² - H & H2 Track L ² - L & L2 Track	BK - Black WH - White SI ² - Silver

¹ **QUICK SHIP:** Not all products are Quick Ship. To view our Quick Ship qualified products, please consult our Quick Ship Product Guide at stanpro.com/quick-ship-product-guide. Product availability is subject to change without notice. Please contact your Stanpro customer service representative to confirm inventory levels at time of order.

² Available on request, please contact factory.

COMPATIBLE LAMPS SUGGESTED *Traditional look with an LED lamp!*

Order code	Description	Watts (W)	Base	Volts (VAC)	Color temp. (K)	CRI	Life L70 (hrs)	Lumen output (lm)	Beam angle (°)	CBCP (cd)	Traditional equivalent (W)	Case qty (inner/master)
PAR20												
67607	P20/7W/30K/45/DESIGN/STD	7	E26	120	2 700	80	25 000	500	45	520	50	10/60
67608	P20/7W/40K/45/DESIGN/STD	7	E26	120	3 000	80	25 000	500	45	520	50	10/60
66279	P20/8W/27K/25/CHOICE/STD	8	E26	120	2 700	≥90	15 000	581	25	1 708	50	1/12
66280	P20/8W/27K/40/CHOICE/STD	8	E26	120	2 700	≥90	15 000	572	40	914	50	1/12
66281	P20/8W/30K/25/CHOICE/STD	8	E26	120	3 000	≥90	15 000	608	25	1 708	50	1/12
66282	P20/8W/30K/40/CHOICE/STD	8	E26	120	3 000	≥90	15 000	605	40	914	50	1/12
66283	P20/8W/40K/25/CHOICE/STD	8	E26	120	4 000	≥90	15 000	616	25	1 708	50	1/12
66284	P20/8W/40K/40/CHOICE/STD	8	E26	120	4 000	≥90	15 000	652	40	914	50	1/12
PAR30LN												
67611	P30L/13W/30K/45/DESIGN/STD	13	E26	120	3 000	80	25 000	950	45	1 100	75	1/20
67612	P30L/13W/40K/45/DESIGN/STD	13	E26	120	4 000	80	25 000	950	45	1 150	75	1/20
66285	P30L/12W/27K/25/CHOICE/STD	12	E26	120	2 700	≥90	15 000	942	25	4 178	75	1/6
66286	P30L/12W/27K/40/CHOICE/STD	12	E26	120	2 700	≥90	15 000	935	40	1 813	75	1/6
66287	P30L/12W/30K/25/CHOICE/STD	12	E26	120	3 000	≥90	15 000	974	25	4 178	75	1/6
66288	P30L/12W/30K/40/CHOICE/STD	12	E26	120	3 000	≥90	15 000	935	40	1 813	75	1/6
66289	P30L/12W/40K/25/CHOICE/STD	12	E26	120	4 000	≥90	15 000	1 024	25	4 178	75	1/6
66290	P30L/12W/40K/40/CHOICE/STD	12	E26	120	4 000	≥90	15 000	996	40	1 813	75	1/6
PAR38												
67613	P38/15W/30K/45/DESIGN/STD	15	E26	120	3 000	80	25 000	1 200	45	1 150	100	1/10
67614	P38/15W/40K/45/DESIGN/STD	15	E26	120	4 000	80	25 000	1 200	45	1 500	100	1/10
66297	P38/16.5W/27K/25/CHOICE/STD	16.5	E26	120	2 700	≥90	15 000	1 360	25	6 067	100	1/6
66298	P38/16.5W/27K/40/CHOICE/STD	16.5	E26	120	2 700	≥90	15 000	1 398	40	2 527	100	1/6
66299	P38/16.5W/30K/25/CHOICE/STD	16.5	E26	120	3 000	≥90	15 000	1 419	25	6 067	100	1/6
66300	P38/16.5W/30K/40/CHOICE/STD	16.5	E26	120	3 000	≥90	15 000	1 355	40	2 527	100	1/6
66301	P38/16.5W/40K/25/CHOICE/STD	16.5	E26	120	4 000	≥90	15 000	1 548	25	6 067	100	1/6
66302	P38/16.5W/40K/40/CHOICE/STD	16.5	E26	120	4 000	≥90	15 000	1 510	40	2 527	100	1/6
67909*	P38H0/27W/30K/40/120-277/STD	27	E26	120-277	3 000	-	25 000	3 000	40	-	250	1/6
67914*	P38H0/27W/30K/25/120-277/STD	27	E26	120-277	3 000	-	25 000	3 000	25	-	250	1/6



*Coming soon





1^{yr}
warranty


quick
ship

The economical adjustable side swivel track head allows for the proper seating of various lamps including PAR30 long neck. It features a half yoke design with slide adjustment slot to maximize the fixture height options. Integral on/off switch and track polarity indicator come standard. The TL95 comes complete with J & J2 style track adaptor. H & H2, L & L2 style adaptors available upon request.

TL95 SERIES

TL95

MINI ADJUSTABLE SIDE SWIVEL

250W MAX.

SPECIFICATIONS

Material

Heavy duty housing designed for commercial use.

Aiming

The secure yoke provides precision aiming without the need for tools.

Lamps

Incandescent or LED (**lamp not included**)

E26 medium base style lamps:

Max 75W PAR16

Max 50W PAR20

Max 75W PAR30

Max 250W PAR38

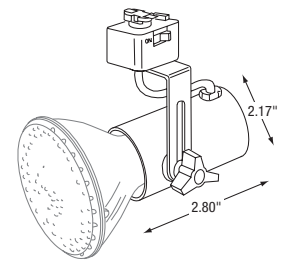
Finishes

Heavy duty scratch resistant powder coated. Available in glossy white, black and silver.

Adaptor

Track heads with "J" adaptor are classified to be used with Stanpro STJ track series, Juno T or TU track series and Prescolite TS or TT track series. Track heads with "H" adaptor are classified to be used with Stanpro STH track series and Cooper Lighting L641/2/3 track series. Track heads with "L" adaptor are classified to be used with Lightolier Fast Track/Basic track series.

DIMENSIONS



ORDERING GUIDE

TL95	N	0250	A		
Series	Lamp type	Watts (W)	Volts (V)	Adaptor	Fixture color
TL95	N - Incandescent	0250 - 250 max	A - 120	J - J & J2 track (standard) H ² - H & H2 Track L ² - L & L2 Track	BK - Black WH - White SI ² - Silver

¹ **QUICK SHIP:** Not all products are Quick Ship. To view our Quick Ship qualified products, please consult our Quick Ship Product Guide at stanpro.com/quick-ship-product-guide. Product availability is subject to change without notice. Please contact your Stanpro customer service representative to confirm inventory levels at time of order.

² Available on request, please contact factory.

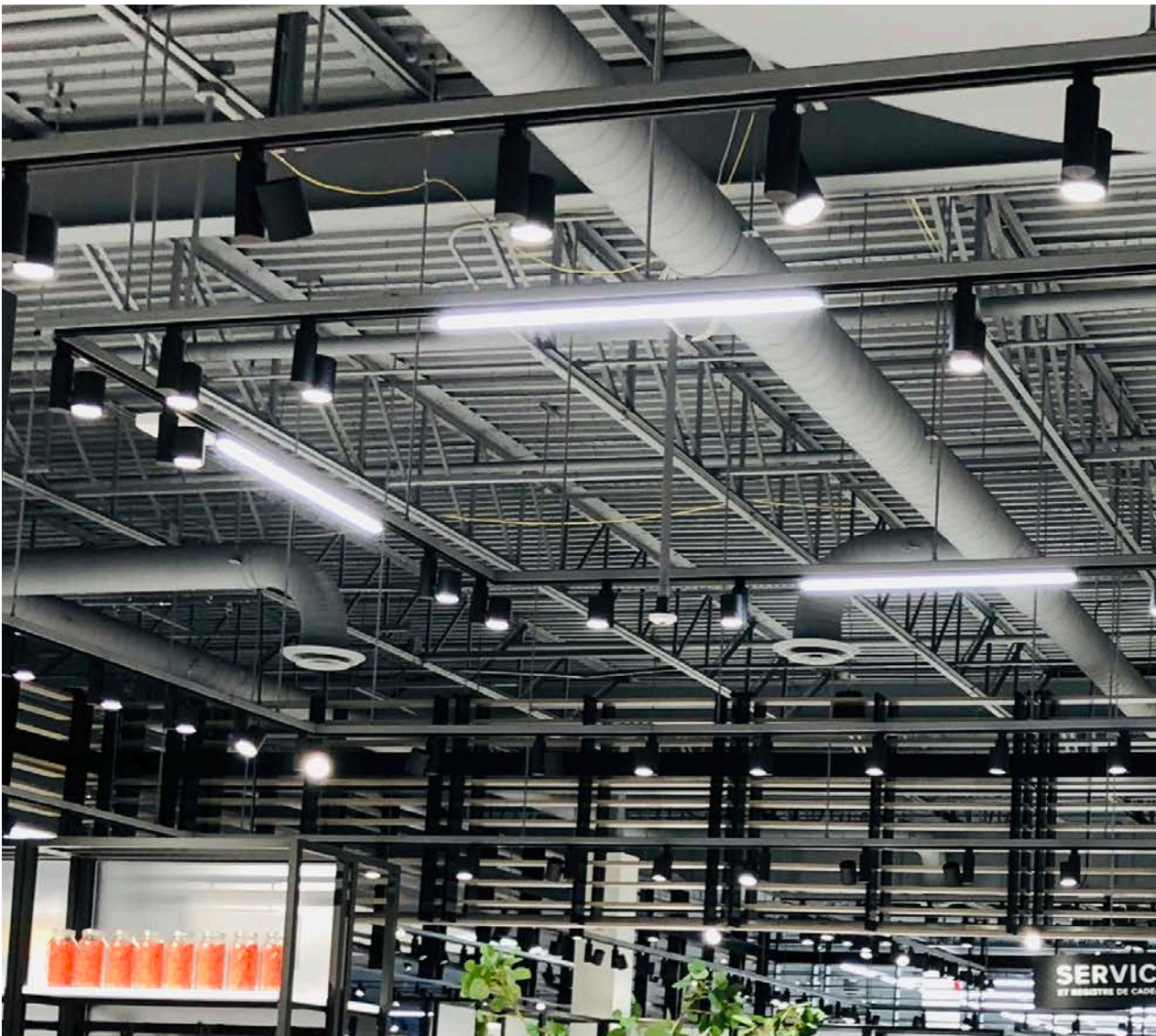
COMPATIBLE LAMPS SUGGESTED *Traditional look with an LED lamp!*

Order code	Description	Watts (W)	Base	Volts (VAC)	Color temp. (K)	CRI	Life L70 (hrs)	Lumen output (lm)	Beam angle (°)	CBCP (cd)	Traditional equivalent (W)	Case qty (inner/master)
PAR20												
67607	P20/7W/30K/45/DESIGN/STD	7	E26	120	2 700	80	25 000	500	45	520	50	10/60
67608	P20/7W/40K/45/DESIGN/STD	7	E26	120	3 000	80	25 000	500	45	520	50	10/60
66279	P20/8W/27K/25/CHOICE/STD	8	E26	120	2 700	≥90	15 000	581	25	1 708	50	1/12
66280	P20/8W/27K/40/CHOICE/STD	8	E26	120	2 700	≥90	15 000	572	40	914	50	1/12
66281	P20/8W/30K/25/CHOICE/STD	8	E26	120	3 000	≥90	15 000	608	25	1 708	50	1/12
66282	P20/8W/30K/40/CHOICE/STD	8	E26	120	3 000	≥90	15 000	605	40	914	50	1/12
66283	P20/8W/40K/25/CHOICE/STD	8	E26	120	4 000	≥90	15 000	616	25	1 708	50	1/12
66284	P20/8W/40K/40/CHOICE/STD	8	E26	120	4 000	≥90	15 000	652	40	914	50	1/12
PAR30SN												
67609	P30S/10W/30K/45/DESIGN/STD	10	E26	120	3 000	80	25 000	750	45	810	60	1/20
67610	P30S/10W/40K/45/DESIGN/STD	10	E26	120	4 000	80	25 000	750	45	810	60	1/20
66291	P30S/12W/27K/25/CHOICE/STD	12	E26	120	2 700	≥90	15 000	934	25	3 843	75	1/6
66292	P30S/12W/27K/40/CHOICE/STD	12	E26	120	2 700	≥90	15 000	929	40	1 740	75	1/6
66293	P30S/12W/30K/25/CHOICE/STD	12	E26	120	3 000	≥90	15 000	965	25	3 843	75	1/6
66294	P30S/12W/30K/40/CHOICE/STD	12	E26	120	3 000	≥90	15 000	922	40	1 740	75	1/6
66295	P30S/12W/40K/25/CHOICE/STD	12	E26	120	4 000	≥90	15 000	1 006	25	3 843	75	1/6
66296	P30S/12W/40K/40/CHOICE/STD	12	E26	120	4 000	≥90	15 000	977	40	1 740	75	1/6
PAR38												
67613	P38/15W/30K/45/DESIGN/STD	15	E26	120	3 000	80	25 000	1 200	45	1 150	100	1/10
67614	P38/15W/40K/45/DESIGN/STD	15	E26	120	4 000	80	25 000	1 200	45	1 500	100	1/10
66297	P38/16.5W/27K/25/CHOICE/STD	16.5	E26	120	2 700	≥90	15 000	1 360	25	6 067	100	1/6
66298	P38/16.5W/27K/40/CHOICE/STD	16.5	E26	120	2 700	≥90	15 000	1 398	40	2 527	100	1/6
66299	P38/16.5W/30K/25/CHOICE/STD	16.5	E26	120	3 000	≥90	15 000	1 419	25	6 067	100	1/6
66300	P38/16.5W/30K/40/CHOICE/STD	16.5	E26	120	3 000	≥90	15 000	1 355	40	2 527	100	1/6
66301	P38/16.5W/40K/25/CHOICE/STD	16.5	E26	120	4 000	≥90	15 000	1 548	25	6 067	100	1/6
66302	P38/16.5W/40K/40/CHOICE/STD	16.5	E26	120	4 000	≥90	15 000	1 510	40	2 527	100	1/6
67909*	P38HO/27W/30K/40/120-277/STD	27	E26	120-277	3 000	-	25 000	3 000	40	-	250	1/6
67914*	P38HO/27W/30K/25/120-277/STD	27	E26	120-277	3 000	-	25 000	3 000	25	-	250	1/6



*Coming soon





**A MYRIAD OF
CONFIGURATIONS
ARE POSSIBLE**

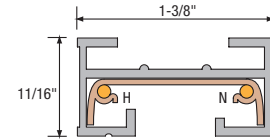
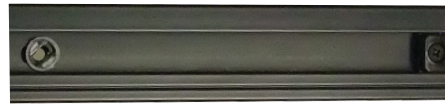


TRACK ACCESSORIES

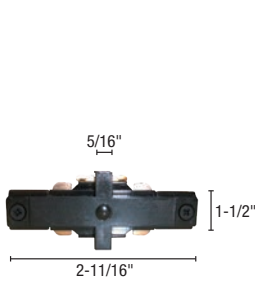
Track accessories are available in black and in white

TRACK SECTIONS

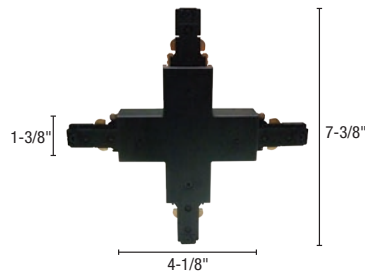
- STJ2-BK:** 2' (24") length; 20-1/8" actual length
- STJ2-WH:** 2' (24") length; 20-1/8" actual length
- STJ4-BK:** 4' (48") length; 44-1/8" actual length
- STJ4-WH:** 4' (48") length; 44-1/8" actual length
- STJ6-BK:** 6' (72") length; 68-1/8" actual length
- STJ6-WH:** 6' (72") length; 68-1/8" actual length
- STJ8-BK:** 8' (96") length; 92-1/8" actual length
- STJ8-WH:** 8' (96") length; 92-1/8" actual length
- STJ12-BK:** 12' (144") length; 140-1/8" actual length
- STJ12-WH:** 12' (144") length; 140-1/8" actual length



Track J – Track Section View



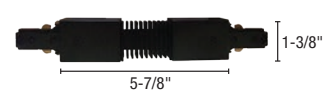
MINI-CONNECTOR CONDUCTIVE
ST22-BK
ST22-WH
ST22-SI



*** X-CONNECTOR**
ST25-BK
ST25-WH
ST25-SI

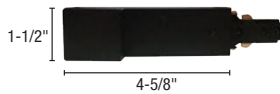


END FEED (TOP ACCESS)
ST38-BK
ST38-WH
ST38-SI



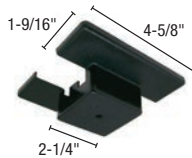
REVERSE POLARITY
ST38A-BK
ST38A-WH
ST38A-SI

FLEXIBLE CONNECTOR 35° to 325° SINGLE CIRCUIT
ST28-BK
ST28-WH
ST28-SI

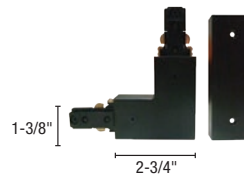


SURFACE CONDUIT END FEED
ST27-BK
ST27-WH
ST27-SI

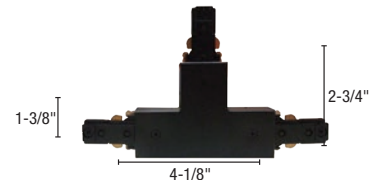
REVERSE POLARITY
ST27A-BK
ST27A-WH
ST27A-SI



FLOATING FEED
ST26-BK
ST26-WH
ST26-SI



*** THREE WAY «L» JOINER**
ST23-BK
ST23-WH
ST23-SI



*** T-CONNECTOR REVERSE POLARITY**
ST24-BK
ST24-WH
ST24-SI

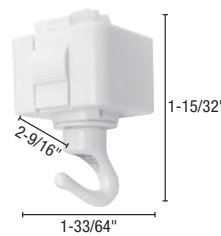
ST24B-BK
ST24B-WH
ST24B-SI



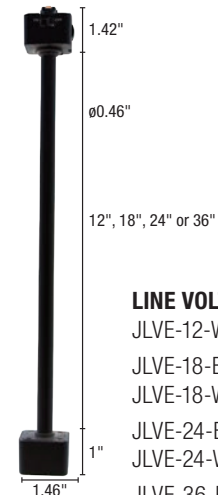
MONOPOINT
ST40-BK
ST40-WH
ST40-SI



GROUNDING OUTLET
ST33-BK
ST33-WH
ST33-SI
Not UL listed



UTILITY HOOK
ST34-BK
ST34-WH
ST34-SI
(10 lbs capacity)
Not UL listed
Non electrical



LINE VOLTAGE EXTENSION
JLVE-12-WH
JLVE-18-BK
JLVE-18-WH
JLVE-24-BK
JLVE-24-WH
JLVE-36-BK

For complete information, refer to www.standardpro.com

* Can also be used as inline feed.

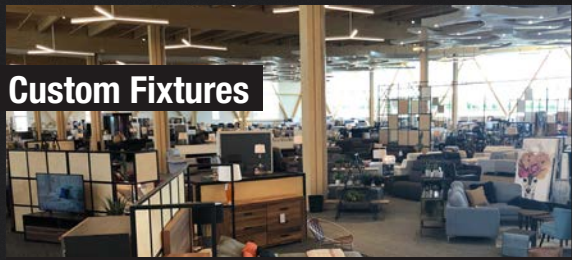
WE WORK WITH YOU

National account chains have been an important and continued growing part of our business.

For many years, we have integrated our Architectural lighting in projects from small boutiques to large retail chains store and high end car dealerships.

We are able to supply or design custom fixtures to meet these applications needs and now with the merge of the two companies we can add to our current offering accent lighting, LED lamps, and deco fixtures.

Our ever growing architectural lighting offering is the perfect fit for any National and Retail lighting solutions.



www.standardpro.com